

HONEYWELL
PART NUMBER
311SM2-H4
PRODUCT CODE
TZA1137

REV	DOCUMENT	CHANGED BY	CHECK
5	0038113	PRS 12JUN08	BLR

B

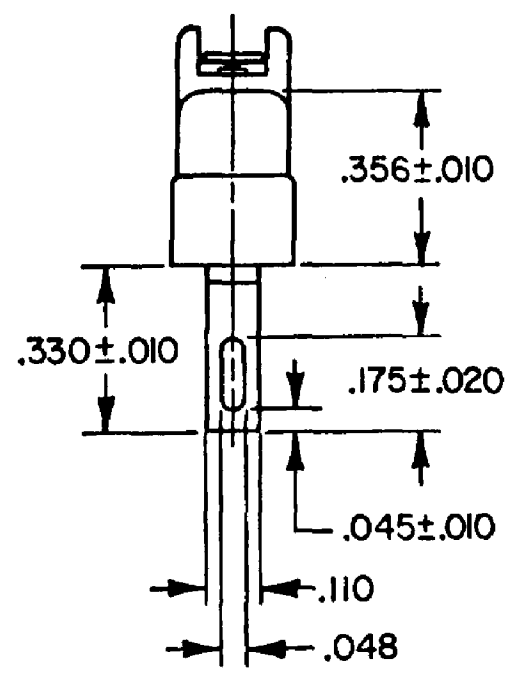
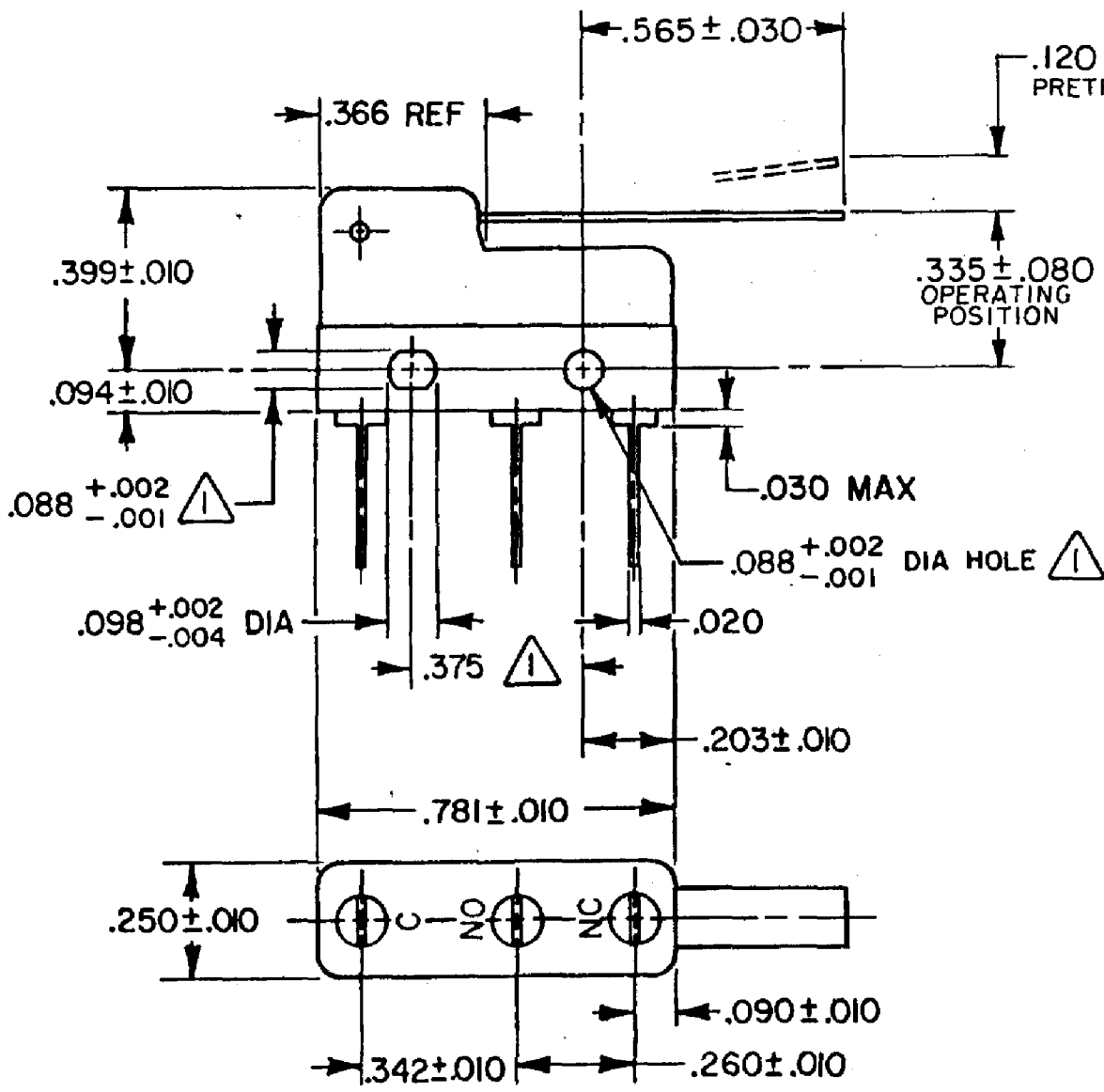
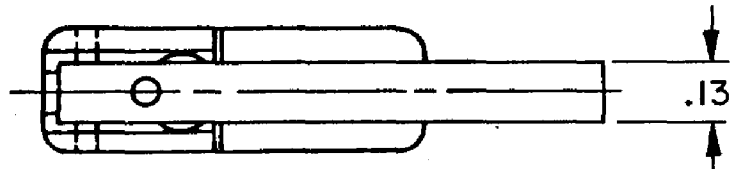
B

A

A

A

A



NOTE

- 1 MOUNTING HOLES WILL ACCEPT PINS OR SCREWS OF .087 MAX DIA ON .375 ± .002 CENTERS
- 2- TERMINALS ARE PLATED FOR SOLDERING
- 3- SWITCH WILL WITHSTAND A TEMPERATURE OF 250° F

RELEASE NO.	PR - 19662
REPLACES	-

CHARACTERISTICS	
OPERATING FORCE	30 GRAM MAX
RELEASE FORCE	5 GRAM MIN
DIFFERENTIAL TRAVEL	.027 MAX
OVERTRAVEL	.026 MIN

ELECTRICAL DATA		
CONTACT ARRANGEMENT SPDT		
30 VOLTS DC RATING		
	SEA LEVEL	50,000 FT
INDUCTIVE	3 AMP	2.5 AMP
RESISTIVE	5 AMP	5 AMP
MAXIMUM INRUSH 24 AMP		
APPROVALS	KEMA, CE	5A, 250V ~ T85 1E4
	UL, CSA	5A, 250 VAC

DESIGN UNITS:	INCH
TOLERANCES UNLESS NOTED:	
NO PLACE	X ±
ONE PLACE	.X ±
TWO PLACE	.XX ±
THREE PLACE	.XXX ±
FOUR PLACE	.XXXX ±
ANGLES	±
THIRD ANGLE PROJECTION	

DRAWN	VK	31OCT07
CHECK	RJ	31OCT07
THIS DRAWING COVERS A PROPRIETARY ITEM AND IS THE PROPERTY OF HONEYWELL. THIS DRAWING IS NOT TO BE COPIED OR USED WITHOUT THE PERMISSION OF HONEYWELL.		
INTERPRET PER ANSI Y14.5M-1982 OTHER HONEYWELL ENGINEERING STANDARDS MAY APPLY		

Honeywell			
TITLE SWITCH - BASIC			
SIZE	TYPE	DRAWING NAME	REV
B	I	311SM2-H4	5
SCALE	-	WEIGHT .006 LB MAX	SHEET 1 OF 1