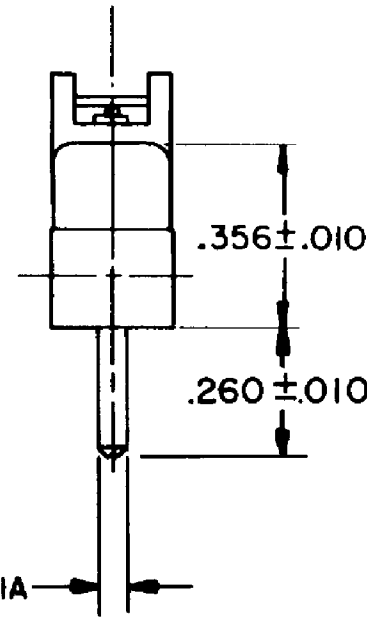
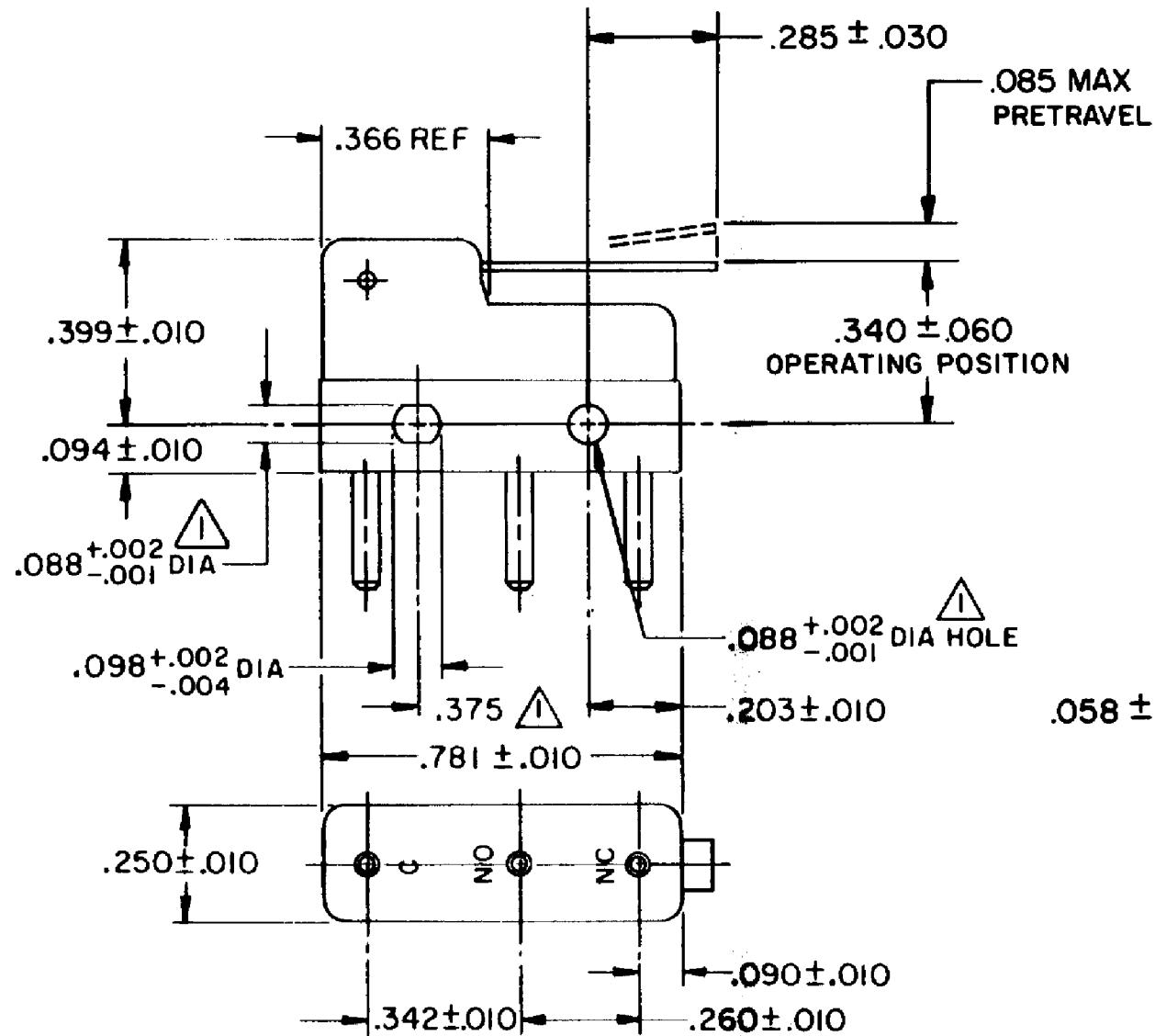
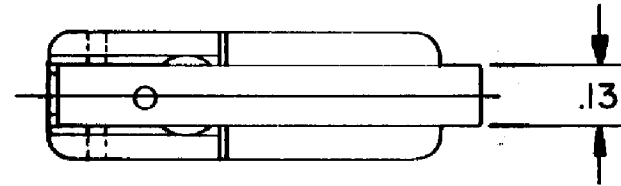


HONEYWELL
PART NUMBER
311SM23-H2
PRODUCT CODE
TZA2192

REV	DOCUMENT	CHANGED BY	CHECK
4	0038114	KVS 03JUN08	ASD



NOTE -
 1 MOUNTING HOLES WILL ACCEPT PINS OR SCREWS OF .087 MAX DIA ON .375 ± .002 CENTERS
 2 - MATING CONTACT SURFACES ARE 24K SOLID GOLD OVERLAY
 3 - PLATED TERMINALS WILL ACCEPT AIRCRAFT MARINE PRODUCTS CO NO 42429 CONNECTOR
 4 - SWITCH WILL WITHSTAND TEMPERATURE OF 250° F

RELEASE NO.	PR - 3251
REPLACES	-

CHARACTERISTICS	
OPERATING FORCE	40 GRAM MAX
RELEASE FORCE	7 GRAM MIN
DIFFERENTIAL TRAVEL	.019 MAX
OVERTRAVEL	.020 MIN

ELECTRICAL DATA		
CONTACT ARRANGEMENT SPDT		
30 VOLTS DC RATING		
	SEA LEVEL	50,000 FT
INDUCTIVE	1/2 AMP	1/2 AMP
RESISTIVE	1 AMP	1 AMP
MAXIMUM INRUSH 2 AMP		
APPROVALS	KEMA, CE	1A, 250V ~ T85 1E4
	UL, CSA	1A, 125 VAC

DESIGN UNITS: INCH
TOLERANCES UNLESS NOTED:
NO PLACE X ±
ONE PLACE .X ±
TWO PLACE .XX ±
THREE PLACE .XXX ±
FOUR PLACE .XXXX ±
ANGLES ±
THIRD ANGLE PROJECTION

DRAWN	VK	02 NOV 07
CHECK	RJ	02 NOV 07
THIS DRAWING COVERS A PROPRIETARY ITEM AND IS THE PROPERTY OF HONEYWELL. THIS DRAWING IS NOT TO BE COPIED OR USED WITHOUT THE PERMISSION OF HONEYWELL.		
INTERPRET PER ANSI Y14.5M-1982 OTHER HONEYWELL ENGINEERING STANDARDS MAY APPLY		
RASTER		

Honeywell			
TITLE SWITCH - BASIC			
SIZE	TYPE	DRAWING NAME	REV
B	I	311SM23-H2	4
SCALE	-	WEIGHT .006 LB MAX	SHEET 1 OF 1