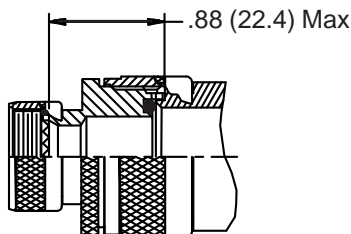
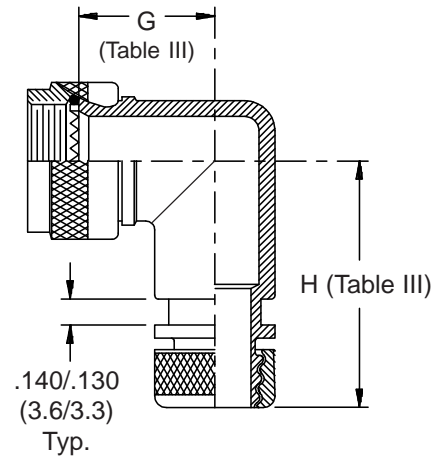
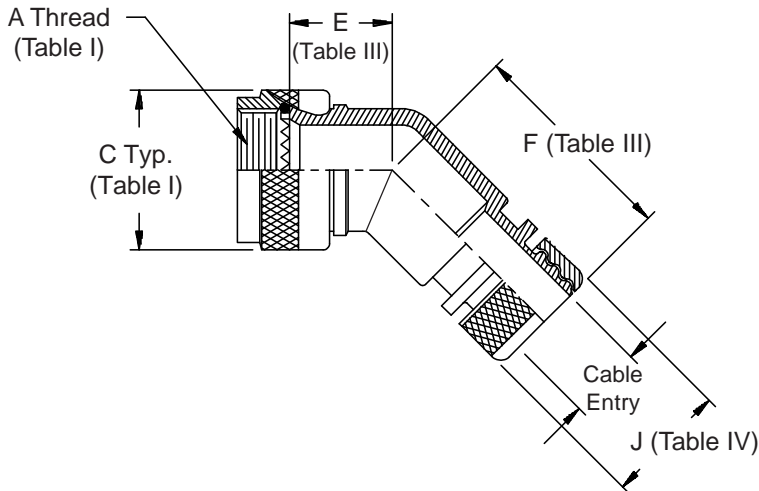
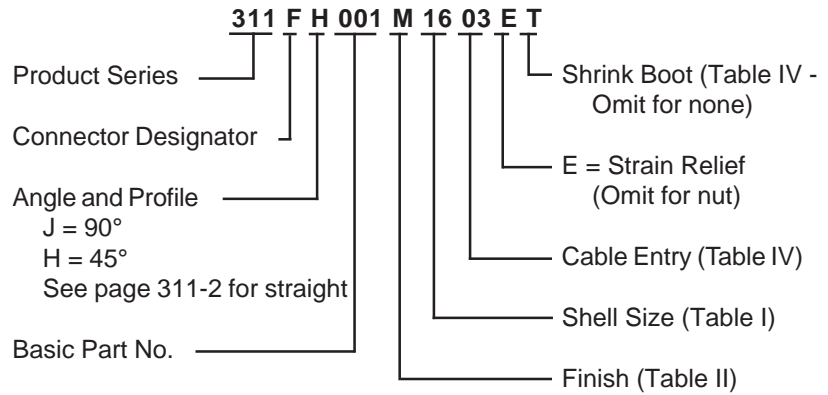
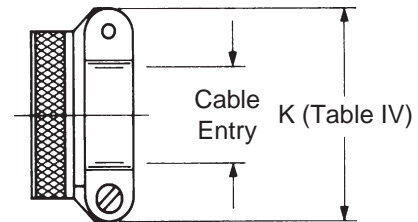


CONNECTOR
DESIGNATORS
A-F-H-L-S
ROTATABLE
COUPLING



STYLE 2
(45° & 90°)
See Note 5)



STYLE E
STRAIN RELIEF

311-001
Lamp-Base Thread EMI/RFI Shrink Boot Adapter
with Strain Relief and Optional Shrink Boot
Rotatable Coupling - Standard Profile



See inside back cover fold-out
 or pages 13 and 14
 for unabridged Tables I and II.

TABLE III: DIMENSIONS						
SHELL SIZE		E	F	G	H	
A-F-L-S	H	Max	Max	Max	Max	
08	09	.830 (21.1)	1.045 (26.5)	.940 (23.9)	1.155 (29.3)	
10	11	.860 (21.8)	1.075 (27.3)	1.010 (25.7)	1.225 (31.1)	
12	13	.882 (22.4)	1.097 (27.9)	1.070 (27.2)	1.285 (32.6)	
14	15	.900 (22.9)	1.125 (28.6)	1.130 (28.7)	1.345 (34.2)	
16	17	.930 (23.6)	1.145 (29.1)	1.190 (30.2)	1.405 (35.7)	
18	19	.950 (24.1)	1.165 (29.6)	1.240 (31.5)	1.455 (37.0)	
20	21	.980 (24.9)	1.195 (30.4)	1.310 (33.3)	1.525 (38.7)	
22	23	1.000 (25.4)	1.215 (30.9)	1.360 (34.5)	1.575 (40.0)	
24	25	1.030 (26.2)	1.245 (31.6)	1.430 (36.3)	1.645 (41.8)	

TABLE IV: CABLE ENTRY AND SHRINK BOOT				
Dash No.	J Max	K Max	Cable Entry Max	Shrink Boot
01	.448 (11.4)	.781 (19.8)	.125 (3.2)	n/a
02	.515 (13.1)	.968 (24.6)	.250 (6.4)	770-001S103
03	.640 (16.3)	1.046 (26.6)	.375 (9.5)	770-001S103
04	.765 (19.4)	1.156 (29.4)	.500 (12.7)	770-001S104
05	.920 (23.4)	1.219 (31.0)	.625 (15.9)	770-001S104
06	1.015 (25.8)	1.343 (34.1)	.750 (19.1)	770-001S105
07	1.140 (29.0)	1.469 (37.3)	.875 (22.2)	770-001S106
08	1.265 (32.1)	1.594 (40.5)	1.000 (25.4)	770-001S106
09	1.432 (36.4)	1.719 (43.7)	1.125 (28.6)	770-001S107

-445 Now Available with the "NESTOR"

Glenair's Non-Detent, Spring-Loaded, Self-Locking Coupling.

Add "-445" to Specify This AS85049 Style "N" Coupling Interface.

1. Cable Entry is defined as the accommodation range for the wire bundle or cable. Dimensions shown are not intended for inspection criteria.
2. See Shrink Boot Reference Information (page 40).
3. Metric dimensions (mm) are indicated in parentheses.
4. O-Ring not supplied with Connector Designator A.
5. When maximum entry is exceeded, Style 2 will be supplied. Dimensions E, F, G, & H will not apply. Please consult factory.

TABLE II - STANDARD FINISHES	
GLENAIR SYMBOL	FINISH
B	Cadmium Plate, Olive Drab
M	Electroless Nickel
NF	Cadmium Plate, Olive Drab Over Electroless Nickel
See Inside Back Cover for Complete Finish Information and Additional Finish Options	