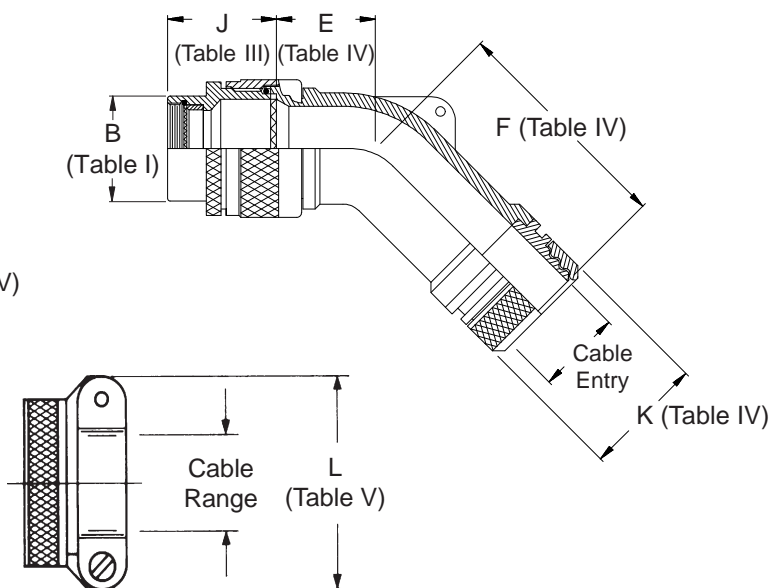
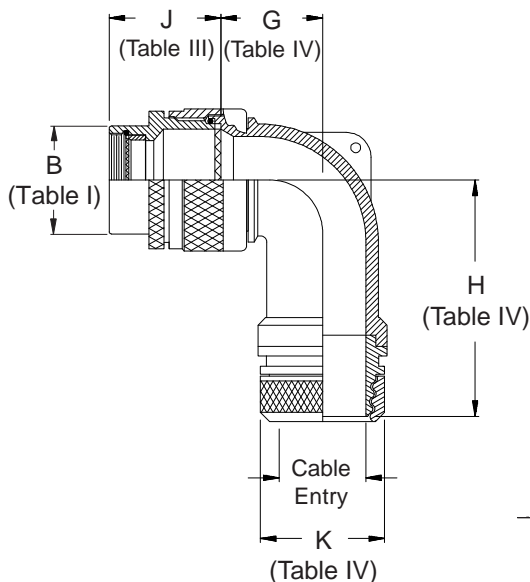
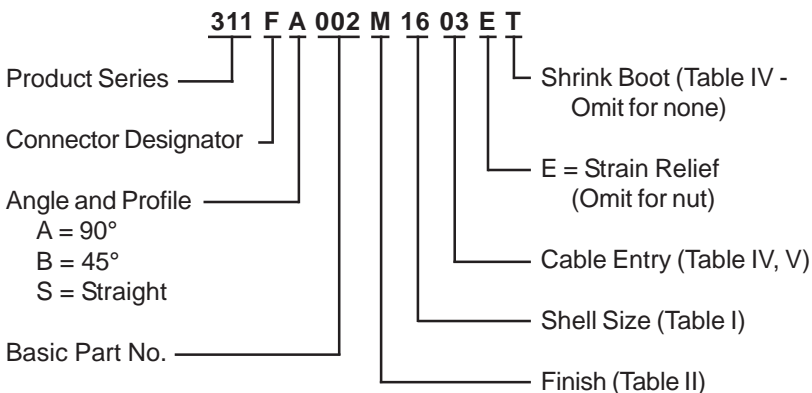


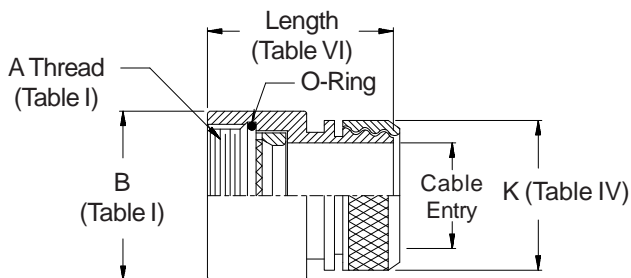
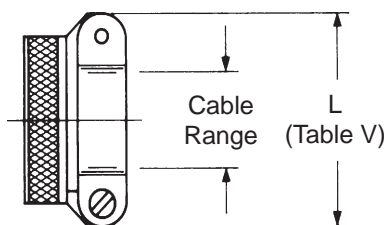
CONNECTOR DESIGNATORS
A-B*-C-D-E-F
G-H-J-K-L-S

* Conn. Desig. B See Note 5

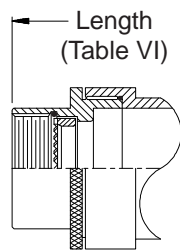
DIRECT COUPLING



STYLE E STRAIN RELIEF



STYLE 1



STYLE 2 (STRAIGHT See Note 4)

| TABLE II - STANDARD FINISHES | |
|------------------------------|---|
| GLENAIR | |
| SYMBOL | FINISH |
| B | Cadmium Plate, Olive Drab |
| M | Electroless Nickel |
| NF | Cadmium Plate, Olive Drab Over Electroless Nickel |

See Inside Back Cover for Complete Finish Information and Additional Finish Options

311-002
Lamp-Base Thread EMI/RFI Shrink Boot Adapter
 with Strain Relief and Optional Shrink Boot
 Direct Coupling - Low Profile



See inside back cover fold-out
 or pages 13 and 14
 for unabridged Tables I and II.

1. Cable Entry or range is defined as the accommodation range for the wire bundle or cable. Dimensions shown are not intended for inspection criteria.
2. See Shrink Boot Reference Information (page 40).
3. Metric dimensions (mm) are indicated in parentheses.
4. When maximum entry (page 21) is exceeded, Style 2 will be supplied. (Function S only)
5. When using Connector Designator B refer to pages 18 and 19 for part number development.

TABLE III: FRONT ADAPTER

| Shell Size | J Max - Conn. Designator | | |
|------------|--------------------------|--------------|--------------|
| | A-E-F | | |
| | J-H-L-S | D-B-G-K | C |
| 08/09 | 1.180 (30.0) | 1.250 (31.8) | |
| 10/11 | 1.180 (30.0) | 1.250 (31.8) | |
| 12/13 | 1.180 (30.0) | 1.250 (31.8) | 1.735 (44.1) |
| 14/15 | 1.180 (30.0) | 1.250 (31.8) | 1.915 (48.6) |
| 16/17 | 1.380 (35.0) | 1.560 (39.6) | 1.915 (48.6) |
| 18/19 | 1.380 (35.0) | 1.560 (39.6) | 1.915 (48.6) |
| 20/21 | 1.380 (35.0) | 1.560 (39.6) | 1.915 (48.6) |
| 22/23 | 1.380 (35.0) | 1.560 (39.6) | 1.915 (48.6) |
| 24/25 | 1.380 (35.0) | 1.560 (39.6) | 1.915 (48.6) |
| 28/29 | 1.610 (40.9) | 1.560 (39.6) | 1.915 (48.6) |
| 32/33 | 1.610 (40.9) | 1.750 (44.5) | 1.915 (48.6) |
| 36 | 1.610 (40.9) | 1.750 (44.5) | 1.915 (48.6) |
| 40 | 1.610 (40.9) | 2.190 (55.6) | 1.915 (48.6) |

TABLE IV: CABLE ENTRY/DIMENSIONS

| Dash No. | E Max | F Max | G Max | H Max | K Max | Cable Entry Max | Shrink Boot |
|----------|--------------|--------------|--------------|--------------|--------------|-----------------|-------------|
| 01 | .457 (11.6) | 1.630 (41.4) | .500 (12.7) | 1.640 (41.7) | .448 (11.4) | .125 (3.2) | n/a |
| 02 | .457 (11.6) | 1.630 (41.4) | .500 (12.7) | 1.640 (41.7) | .515 (13.1) | .250 (6.4) | 770-001S103 |
| 03 | .520 (13.2) | 1.690 (42.9) | .595 (15.1) | 1.760 (44.7) | .640 (16.3) | .375 (9.5) | 770-001S103 |
| 04 | .582 (14.8) | 1.750 (44.5) | .610 (15.5) | 1.780 (45.2) | .765 (19.4) | .500 (12.7) | 770-001S104 |
| 05 | .645 (16.4) | 1.840 (46.7) | .700 (17.8) | 1.850 (47.0) | .920 (23.4) | .625 (15.9) | 770-001S104 |
| 06 | .738 (18.7) | 1.950 (49.5) | .885 (22.5) | 1.940 (49.3) | 1.015 (25.8) | .750 (19.1) | 770-001S105 |
| 07 | .926 (23.5) | 2.140 (54.4) | .975 (24.8) | 2.110 (53.6) | 1.140 (29.0) | .875 (22.2) | 770-001S106 |
| 08 | .926 (23.5) | 2.290 (58.2) | .975 (24.8) | 2.220 (56.4) | 1.265 (32.1) | 1.000 (25.4) | 770-001S106 |
| 09 | 1.020 (25.9) | 2.290 (58.2) | 1.125 (28.6) | 2.220 (56.4) | 1.432 (36.4) | 1.125 (28.6) | 770-001S107 |
| 10 | 1.020 (25.9) | 2.290 (58.2) | 1.125 (28.6) | 2.220 (56.4) | 1.515 (38.5) | 1.250 (31.8) | 770-001S107 |
| 11 | 1.145 (29.1) | 2.340 (59.4) | 1.225 (31.1) | 2.390 (60.7) | 1.640 (41.7) | 1.375 (34.9) | 770-001S108 |
| 12 | 1.207 (30.7) | 2.440 (62.0) | 1.575 (40.0) | 2.640 (67.1) | 1.765 (44.8) | 1.500 (38.1) | 770-001S108 |
| 13 | 1.238 (31.4) | 2.530 (64.3) | 1.775 (45.1) | 2.640 (67.1) | 2.015 (51.2) | 1.750 (44.5) | 770-001S108 |

TABLE V: CABLE ENTRY/DIMENSIONS

| Dash No. | L Max | Cable Range | |
|----------|--------------|--------------|--------------|
| | | Min | Max |
| 02 | .968 (24.6) | .125 (3.2) | .250 (6.4) |
| 03 | 1.046 (26.6) | .250 (6.4) | .375 (9.5) |
| 04 | 1.156 (29.4) | .312 (7.9) | .500 (12.7) |
| 05 | 1.219 (31.0) | .437 (11.1) | .625 (15.9) |
| 06 | 1.343 (34.1) | .562 (14.3) | .750 (19.1) |
| 07 | 1.469 (37.3) | .687 (17.4) | .875 (22.2) |
| 08 | 1.594 (40.5) | .812 (20.6) | 1.000 (25.4) |
| 09 | 1.719 (43.7) | .937 (23.8) | 1.125 (28.6) |
| 10 | 1.844 (46.8) | 1.062 (27.0) | 1.250 (31.8) |

TABLE VI: LENGTH

| Conn. Desig. | Length (Max) | |
|--------------|--------------|--------------|
| | Style 1 | Style 2 |
| A | 1.750 (44.5) | 2.000 (50.8) |
| B | 1.630 (41.4) | 1.880 (47.8) |
| C | 2.130 (54.1) | 2.380 (60.5) |
| D | 1.630 (41.4) | 1.880 (47.8) |
| E | 1.250 (31.8) | 1.500 (38.1) |
| F | 1.250 (31.8) | 1.500 (38.1) |
| G | 1.750 (44.5) | 2.000 (50.8) |
| H | 1.750 (44.5) | 2.000 (50.8) |
| J | 1.250 (31.8) | 1.500 (38.1) |
| K | 2.130 (54.1) | 2.380 (60.5) |
| L | 1.380 (35.1) | 1.630 (41.4) |
| S | 1.750 (44.5) | 2.000 (50.8) |