



311-063 Composite Lamp Base Thread EMI/RFI Environmental Shield Termination Backshell with Shrink Boot Porch and Direct Coupling Nut

A

| CONNECTOR DESIGNATOR: | |
|------------------------|---|
| A | MIL-DTL-5015, -26482 Series II, and -83723 Series I and III |
| F | MIL-DTL-38999 Series I, II |
| H | MIL-DTL-38999 Series III and IV |
| DIRECT COUPLING | |

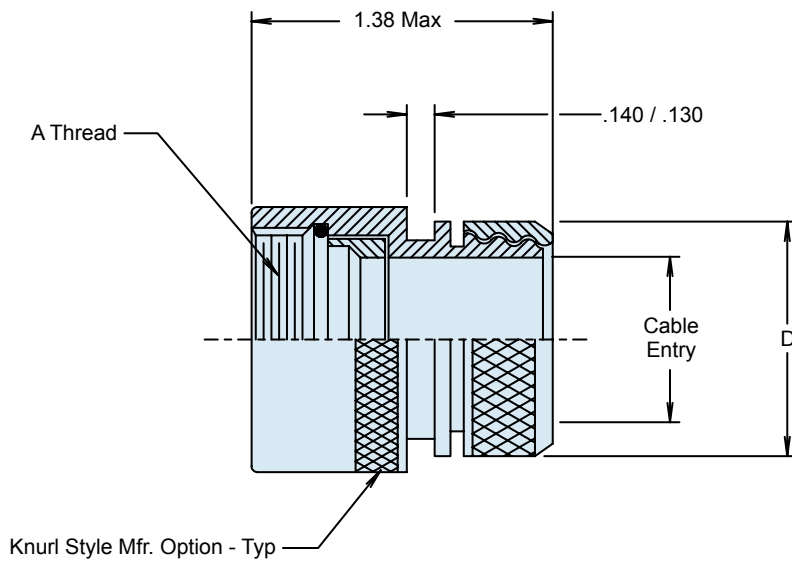
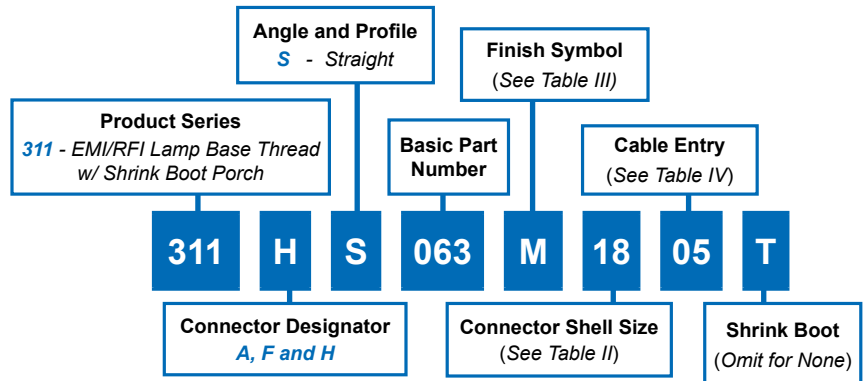


TABLE II: SHELL SIZE

| Shell Size | | Max Dash Number |
|------------|----|-----------------|
| A, F | H | |
| 08 | 09 | 02 |
| 10 | 11 | 03 |
| 12 | 13 | 04 |
| 14 | 15 | 05 |
| 16 | 17 | 06 |
| 18 | 19 | 07 |
| 20 | 21 | 08 |
| 22 | 23 | 09 |
| 24 | 25 | 10 |

311-063
Composite Lamp Base Thread
EMI/RFI Environmental Shield Termination Backshell
with Shrink Boot Porch and Direct Coupling Nut



TABLE III: FINISH

| Symbol | Finish Description |
|--------|--|
| XM | 2000 Hour Corrosion Resistant Electroless Nickel |
| XMT | 2000 Hour Corrosion Resistant Ni-PTFE, Nickel-Fluorocarbon Polymer. <i>1000 Hour Grey™</i> |
| XW | 2000 Hour Corrosion Resistant Cadmium/Olive Drab over Electroless Nickel |

TABLE IV: CABLE ENTRY

| Dash Number | D Max | Entry Max |
|-------------|--------------|-------------|
| 01 | .448 (11.4) | .13 (3.3) |
| 02 | .515 (13.1) | .25 (6.4) |
| 03 | .640 (16.3) | .38 (9.7) |
| 04 | .765 (19.4) | .50 (12.7) |
| 05 | .930 (23.6) | .63 (16.0) |
| 06 | 1.015 (25.8) | .75 (19.1) |
| 07 | 1.140 (29.0) | .81 (20.6) |
| 08 | 1.265 (32.1) | 1.06 (26.9) |
| 09 | 1.432 (36.4) | 1.19 (30.2) |
| 10 | 1.515 (38.5) | 1.38 (35.1) |

NOTES

1. See Table I in Intro for front-end dimensional details.
2. For angled shrink boots, contact Glenair engineering.
3. 770-001S**-0 shrink boot supplied with T option. See shrink boot product page for more details.
4. O-Ring will not be supplied with Connector Designator A.