

# Data sheet

## PT113xxVBBN Typ 183

Page 1/6

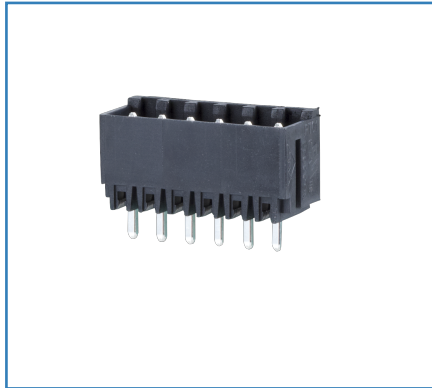
P/N  
311831xx

xx=number of poles

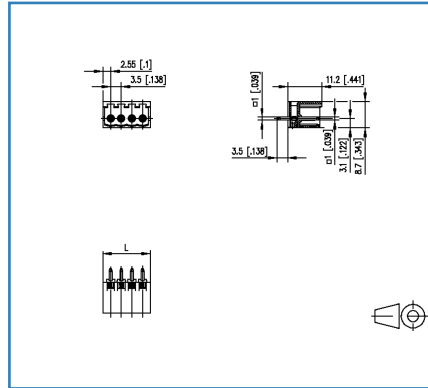
2019/10/28

Version: P

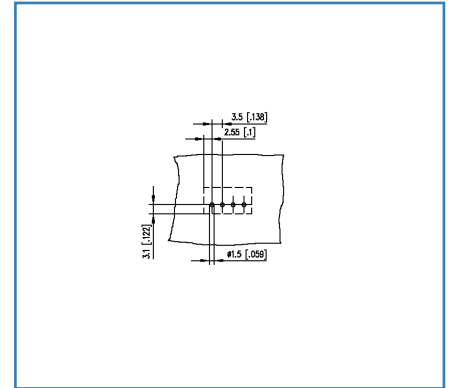
### Illustrations



Dimensional drawing



Drill pattern



See enlarged drawings at the end of document



### Product specification

- pin header, solderable
- centerline 3.50 mm, direction of connection vertical 0°
- closed ends
- color black
- codeable

## Technical Data

General Data			
Solder pin length	3.5 mm		
min. number of poles	2		
max. number of poles	18		
Insulating material class	CTI 600		
clearance/creepage dist.	2.5 mm		
protection category	IP00		
Overvoltage category	III	III	II
Pollution degree	3	2	2
Rated voltage	200 V	500 V	500 V
Rated test voltage	2.5 kV	2.5 kV	2.5 kV

## Approvals

 V / A	300 / 10
approval UL - File No.	E121004
 1.5 mm <sup>2</sup>	125 V / 2.5 kV / 6 A / 1.0 x 1.0 mm

## Material

insulating material	PA66
flammability class	V0
contact pin material	CuFe
contact pin surface	Ni + Ag
Glow-Wire Flammability GWFI	960 °C acc. to IEC 60695-2-12
Glow-Wire Flammability GWIT	775 °C acc. to IEC 60695-2-13
REACH - substance (SVHC)	none

## Climatic Data

upper limit temperature	105 °C
lower limit temperature	-40 °C

## General

Tolerance	ISO 2768 -mH
Solderability	Acc. to JEDEC JESD22-B102E 245°C/5s

## Data sheet PT113xxVBBN Typ 183

Page 3/6

P/N  
311831xx

xx=number of poles

2019/10/28

Version: P

### Accessories

P/N	Designation
720243-01-3	720243
720243-02-4	720243



# U | Contact

## Data sheet PT113xxVBBN Typ 183

Page 4/6

P/N  
311831xx

xx=number of poles

2019/10/28

Version: P

### Counterpart of

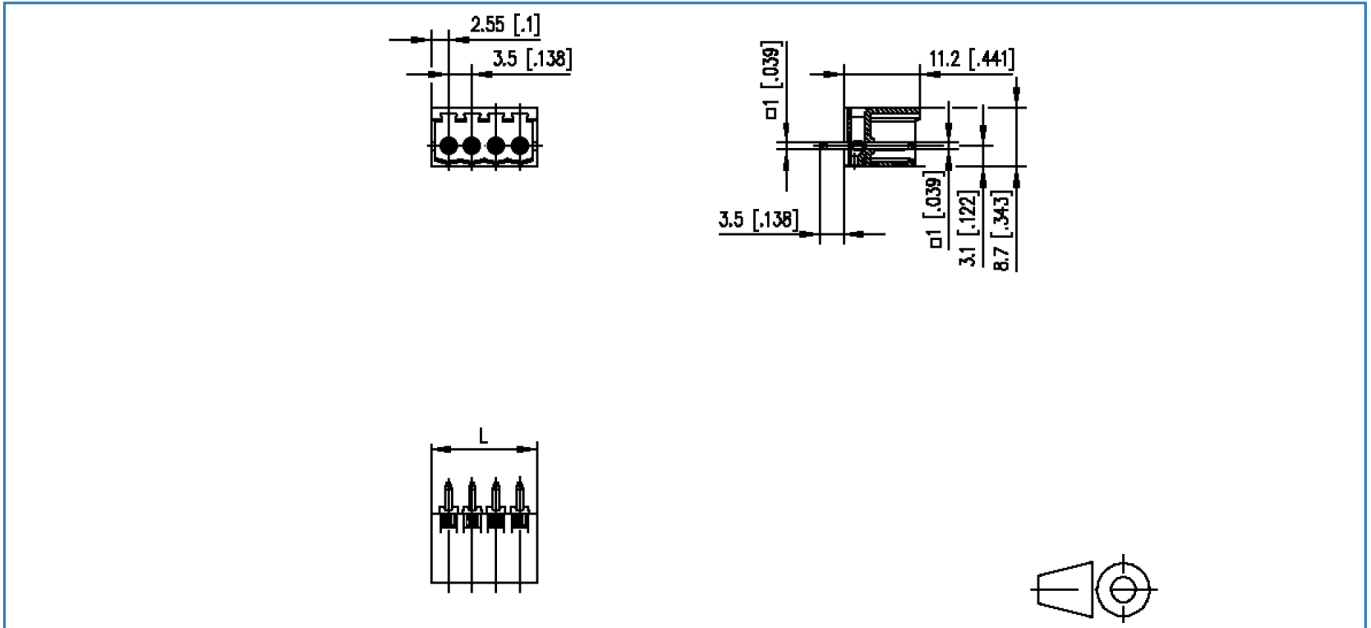
P/N	Designation
311691	RP013xxVBWN Typ 169

© 2019 METZ CONNECT - Technische Änderungen vorbehalten! Subject to modifications! Sous réserve de modifications techniques!



## Illustrations

### Dimensional drawing



$L = (\text{pole size} - 1) \times \text{centerline} + 5.1 \text{ mm} [0.201]$

© 2019 METZ CONNECT - Technische Änderungen vorbehalten! Subject to modifications! Sous réserve de modifications techniques!

## Illustrations

### Drill pattern

