

Data sheet

RP013xxVBWN Typ 169

Page 1/5

P/N
311691xx

xx=number of poles

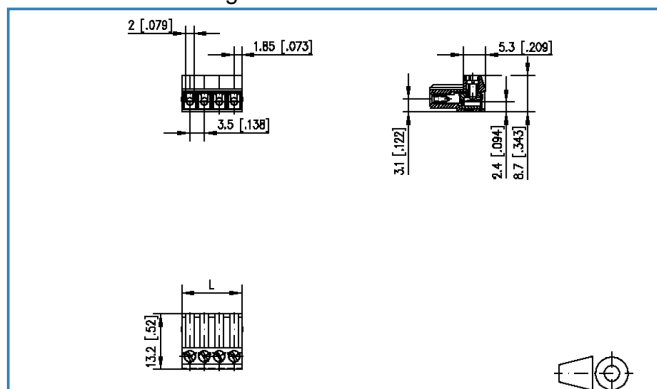
11/07/2018

Version: O

Illustrations



Dimensional drawing



See enlarged drawings at the end of document

Product specification

- screw type terminal block, pluggable
- centerline 3.50 mm, direction of connection vertical 0°
- wire protector
- color black
- wire entry codeable side perpendicular to plug direction

Data sheet RP013xxVBWN Typ 169

Page 2/5

P/N
311691xx

xx=number of poles

11/07/2018

Version: O

Technical Data



General Data

Tightening torque SEV	0.15 Nm		
Tightening torque UL	3 lb-in		
min. number of poles	2		
max. number of poles	18		
Insulating material class	CTI 600		
clearance/creepage dist.	2 mm		
Min. insul. strip length	5 mm		
Overvoltage category	III	III	II
Pollution degree	3	2	2
Rated voltage	32 V	250 V	250 V
Rated test voltage	1.5 kV	1.5 kV	1.5 kV

Connection Data

rat.wiring solid AWGmax	0.08 mm ² - 1.5 mm ² / AWG 28 - AWG 16		
rat.wiring strand.AWGmax	0.08 mm ² - 1 mm ² / AWG 28 - AWG 16		

Approvals

 V / A / 28	150 / 10 / 28 - 16
 0.08 - 1 mm ²	5 A / 125 V / 1.5 kV / 3 /

Material

Glow-Wire Flammability GWFI	960 °C acc. to IEC 60695-2-12
Glow-Wire Flammability GWIT	775 °C acc. to IEC 60695-2-13
wire protector material	CuNiZn
REACH - substance (SVHC)	Lead / 7439-92-1

Climatic Data

upper limit temperature	105 °C
lower limit temperature	-40 °C

Data sheet RP013xxVBWN Typ 169

Page 3/5

P/N
311691xx

xx=number of poles

11/07/2018

Version: O

Accessories

P/N	Designation
720243-01-3	720243
720243-02-4	720243



Data sheet RP013xxVBWN Typ 169

Page 4/5

P/N
311691xx

xx=number of poles

11/07/2018

Version: O

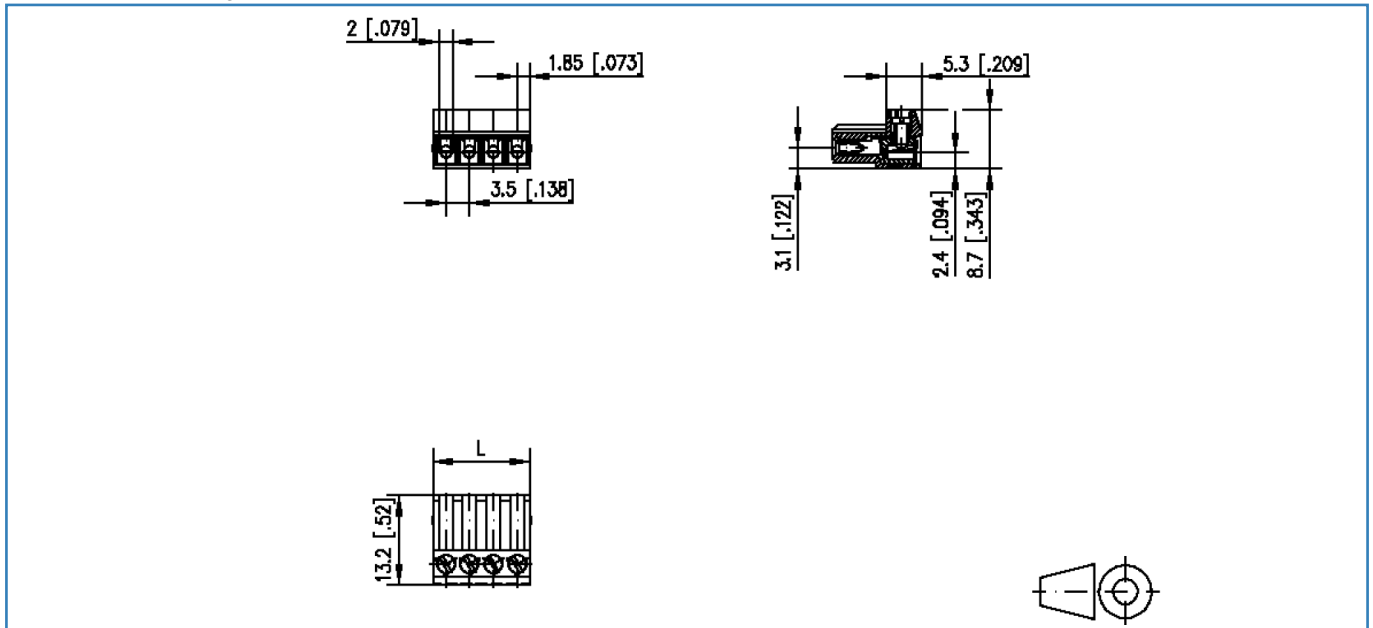
Counterpart

P/N	Designation
311801	PT013xxHBBN Typ 180
311811	PT013xxVBBN Typ 181
311821	PT113xxHBBN Typ 182
311831	PT113xxVBBN Typ 183
311861	PT123xxHDBN Typ 186
311871	Typ 187 PT123 xxVDBO



Illustrations

Dimensional drawing



$$L = (\text{pole size} - 1) \times \text{centerline} + 3 \quad [0.118]$$

