

Serial Digital BNC Connectors

Bomar's true 75 ohm BNC connectors fit all standard broadcast cables and utilize standard existing tooling. Made from precision machined brass, these rugged connectors maintain excellent return loss in analog and serial digital applications. 50 Ohm versions also available. Precision matched for each cable. The SBC number identifies the cable manufacturer's part number. An easy choice. - RoHS compliant

Part Number	Cable	Tool PN
SBC1164B	1164B	BDHD200
SBC1167B	1167B	BDHD200
SBC1407B	1407B	BDHD100
SBC1426	1426	BDHD100
SBC1505A	1505A	BDHD100
SBC1506A	1506A	BDHD100
SBC1520A	1520A	BDHD200
SBC1694A	1694A	BDHD100
SBC1695A	1695A	BD10410
SBC1855A	1855A	BDHD200
SBC1856A	1856A	BDHD200
SBC5565	5565	BDHD100
SBC5765	5765	BDHD100
SBC7501	7501	BDHD100
SBC7536	7536	BDHD200
SBC7538	7538	BDHD100
SBC7731A	7731A	BD1012A
SBC8279	8279	BDHD100

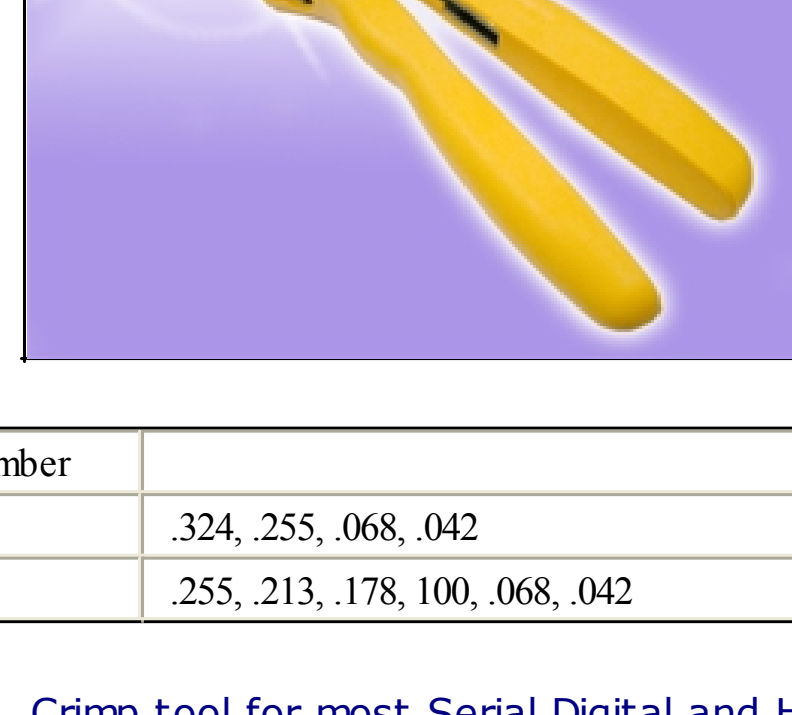


Connectors for many other cable part numbers available. Contact Bomar or your distributor.

Part Number	Cable	Tool PN
SBC82108	82108	BDHD100
SBC8218	8218	BDHD200
SBC82259	82259	BDHD100
SBC8215	8215	BDHD100
SBC8241	8241(A)	BDHD100
SBC8279	8279(A)	BDHD100
SBC8281	8281(B),(F)	BDHD100
SBC82364	82364	BDHD100
SBC8281	8281	BDHD100
SBC89108	89108	BDHD100
SBC89259	89259	BDHD100
SBC9141	9141	BDHD100
SBC9165	9165	BDHD100
SBC9209	9209	BDHD100
SBC9221	9221	BD1016
SBC9231	9231	BDHD100
SBC9248	9248	BDHD100
SBC9259	9259, 9659	BDHD100

[REQUEST QUOTE](#) [REQUEST DRAWING](#)

[Inquire Distribution](#)



Part Number	Die Size
BDHD100	324, 255, 068, 042
BDHD200	255, 213, 178, 100, 068, 042

Crimp tool for most Serial Digital and HD BNC Plugs *

[REQUEST QUOTE](#)

* See chart for Serial Digital BNC above

* See Chart for High Definition BNC below



Ask for P/N BD44008

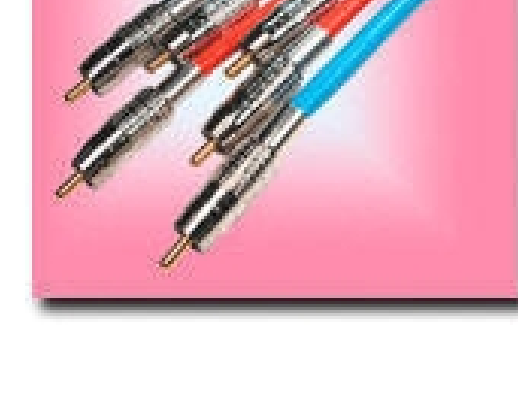
Bomar's new BNC removal tool allows easy removal of BNC connectors in dense patch panel applications.

[REQUEST QUOTE](#)

RCA Crimp Connectors

This new Broadcast Grade crimp RCA plug will crimp onto standard RG 6 and RG 59 style coaxial cables and the new mini-RG59 type. The introduction of this series will complement the Bomar SBC series 75 ohm connectors which are supplied to the broadcast systems integration.

Part No.	Description	Hex Crimp	Tool
RBC1505A	RCA crimp for 1505A cable	.255 / 042*	BDHD100
RBC1694A	RCA crimp for 1694A cable	.324 / 068	BDHD100
RBC1855A	RCA crimp for 1855A cable	.178 / 042*	BDHD200



[RoHS compliant](#) [REQUEST QUOTE](#) [REQUEST DRAWING](#)

[back to index](#)

High Definition BNC Connectors

The Shadow™ in the trade name for the best high definition BNC connector available at any price Shadow™ BNC connectors fit all standard broadcast cables and utilize most standard existing tooling. These connectors are made from precision machined brass. Insulator material is high density TFE to maintain a perfect dielectric constant. Bomar connectors utilize a .042 diameter gold plated contact pin to maintain the best return loss in high definition applications.

The Shadow™ is precision machined (not die-cast) from brass. A special black nickel plating is applied for a beautiful finish that is easily identifiable as a high definition connector. Each connector is precision matched to a specific cable type. Uses standard commercial tooling. However, Bomar die sets are available for use with KTH1000 frame. - RoHS compliant

Part Number	Cable	Hex Crimp	Tool
HBC1505A	1505A	255 / 042*	BDHD100
HBC1694A	1694A	324 / 042*	BDHD100
HBC1855A	1855A	178 / 042*	BDHD200
HBC179DT	179DT	213 female only*	BDHD200
BD17900	12 Point Tool	042 (pin only)	

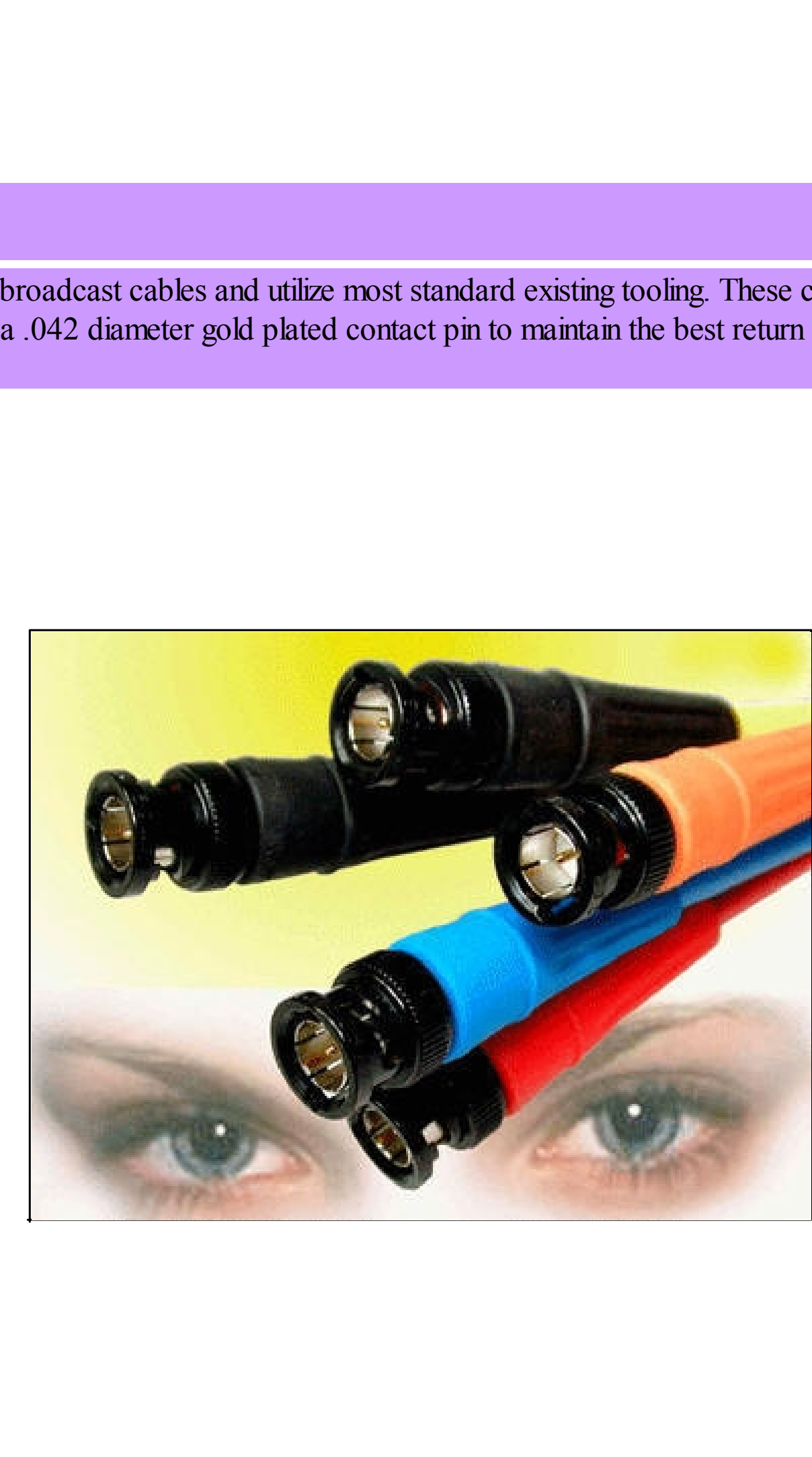
* We recommend 12 point tool for .042 pin

Bomar BD17900 (See Below)

Other cable sizes are available by special order.

[REQUEST QUOTE](#)

[REQUEST DRAWING](#)



BD17900

[REQUEST QUOTE](#)

In an independent test The Shadow™ proved to have the best return loss results at 3GHz.

Freq in GHz	Return Loss (No Cable)	Return Loss (No Cable)	Return Loss (No Cable)	Return Loss (No Cable)	Return Loss (No Cable)
	Bomarc	K-Brand	A-Brand	AM-Brand	T-Brand
2.0	-29.4 dB	-22.6 dB	-23.3 dB	-44.8 dB	-21.4 dB
2.6	-26.6 dB	-20.3 dB	-20.9 dB	-22.3 dB	-20.2 dB
3.0	-23.1 dB	-18.0 dB	-17.4 dB	-20.0 dB	-19.0 dB

Bomar P/N HBC1694A HP8648C, Slotted Line (Connector Only Used For True Results.)

Once cable is applied . . .



[back to index](#)

High Density BNC Connectors

Manufactured of precision-machined brass, this "High Density BNC" series is 51% smaller than traditional BNC devices, permitting four times the density, and 40% smaller than the DIN 1.0/2.3

Part No.	Fig.	Description
HHDI1505A	1	BNC Male High Density 1505A Cable 75ohm NEW!
HHDI1694A	1	BNC Male High Density 1694A Cable 75ohm NEW!
HHDI1855A	1	BNC Male High Density 1855A Cable 75ohm NEW!
HHDI335A744	2	BNC Female/Female High Density Bulkhead Adapter NEW!
BDHD300	3	BNC High Density Removal Tool NEW!

[RoHS compliant](#) [REQUEST QUOTE](#) [REQUEST DRAWING](#)

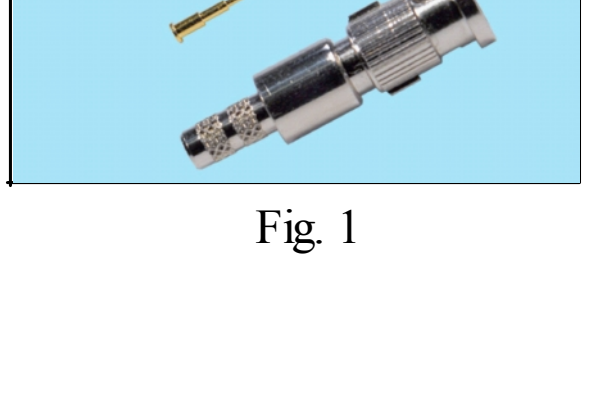


Fig. 1

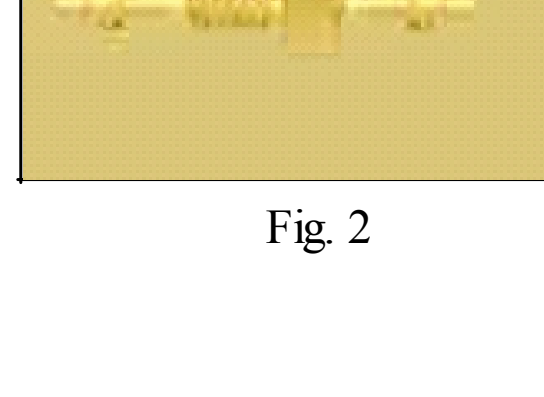


Fig. 2

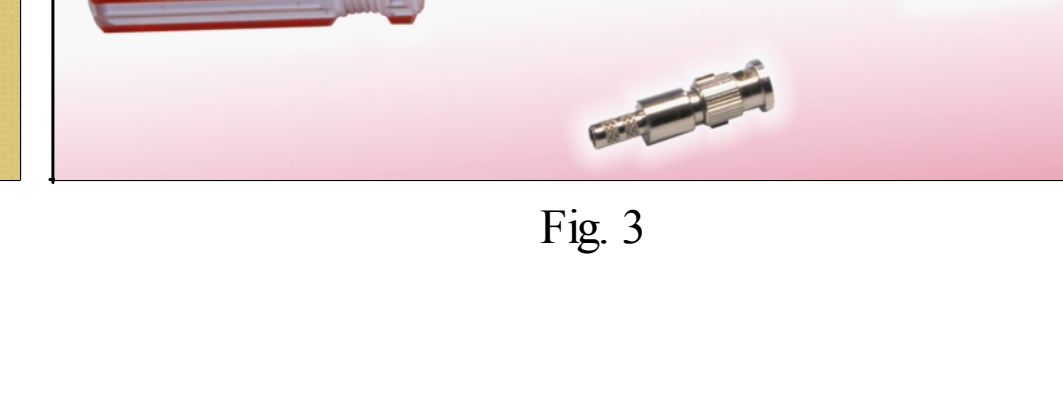


Fig. 3

Analog BNC Connectors

BNC three piece crimp connectors feature semi-captive contacts that "click" into place assuring perfect installation. Each crimp pin has a vent hole for optional soldering. Soldering is recommended for all stranded conductors 26 AWG or smaller.

Part No.	Description	Fig.
310A205A	6, 21AWG Center Conductor	1
310A205A18	6 CATV, 18AWG Center Conductor	1
310A204F	58AU, 58CU Stranded, 14I, Thin PVC	1
310A205FS	58U Solid Conductor	1
310A204FV	58U Thin-Net Plenum	2
310A204G	59, 62, 210	1
310A205G20	RG59 20 AWG Center Cond.	1
310A205G23	Belden 8241	1
310A205MV	174, 178, 196, Mini RGB Cable	3
310A205N	179, 187	3
310A205P	225	1
310B05SQ	Belden 8281 True 75 Ohms	1
310A204T	59, 62, Plenum	2
310A206W2	Mini 59, RGB Cable (26 AWG)	2
320A204F	58AU, 58CU Stranded, 14I, Thin PVC	4
320A206G	59, 62, 210	4
320A205FV	174, 178, 196, Mini RGB Cable	5
320A204T	59, 62, Plenum	5

[RoHS compliant](#) [REQUEST QUOTE](#) [REQUEST DRAWING](#)

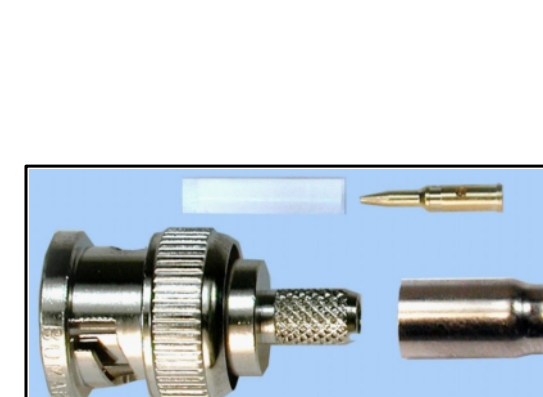


Fig. 1

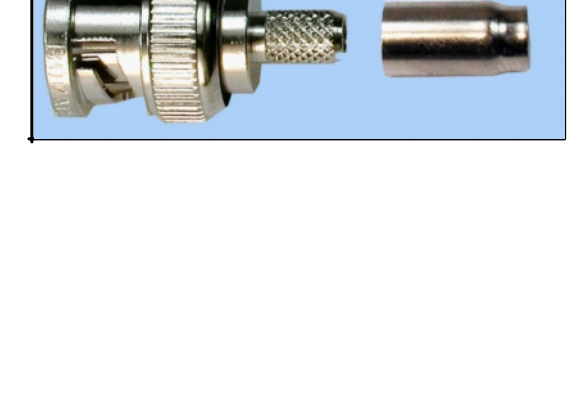


Fig. 2

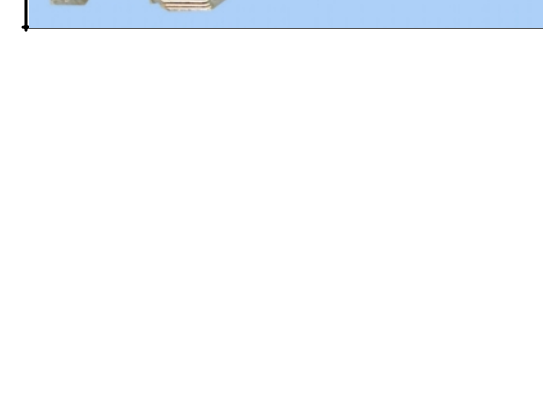


Fig. 3

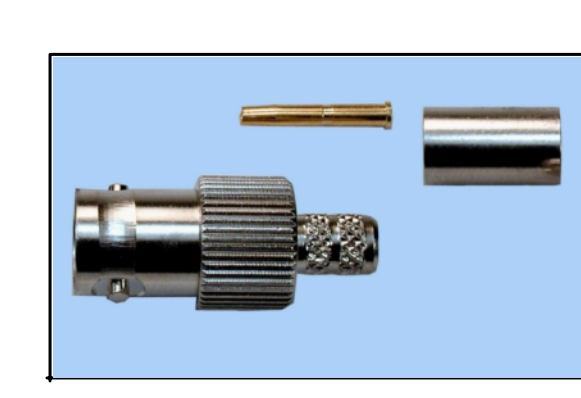


Fig. 4

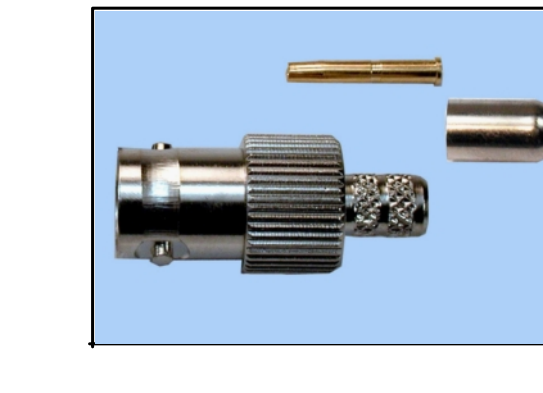


Fig. 5

Analog N Connectors

N Series connectors are medium sized, and weatherproof. The coupling method utilizes a screw system designed for use at frequencies up to microwave. These connectors are particularly useful where precision performance is necessary such as in satellite communications, MATV, radio transmitter antenna systems and other high-tech electronic equipment. Because of the quality manufacturing tolerances these connectors ensure excellent performance throughout 0-18GHz.

Part No.	Description	Fig.
110A205BC	"N" Cable Plug to Fit RG8 and RG214 Cables	6

Two ferrules supplied. For applications with both RG8 and RG214 cables

[RoHS compliant](#) [REQUEST QUOTE](#) [REQUEST DRAWING](#)

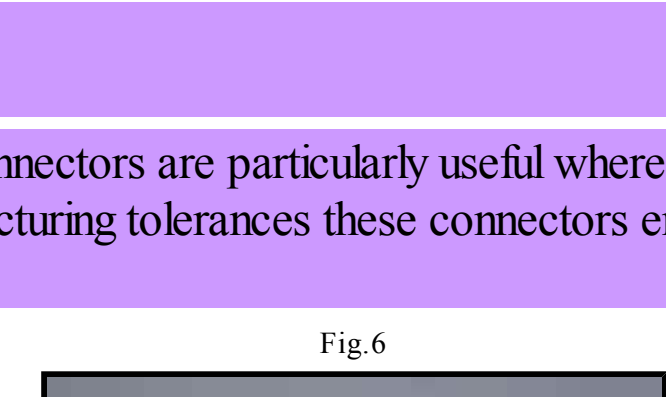


Fig. 6

[back to index](#)

Adapters

Standard adapters are designed for analog and serial digital applications below 2 GHz. Shown below are some of the more popular types. Contact Bomar for a complete listing.

Part Number	Description	Fig.
1303505	N Male to BNC Male	1
1313505	N Male to BNC Female	2
1323505	N Female to BNC Female	3
132A505	N Female to Female	4
151A505	N Right Angle Male to Female	5
330A505	BNC Male to Male	6
332A505	BNC F/F 50Ω Splice	7
335A544	BNC F/F 50Ω Panel	8
335A744	BNC F/F 75Ω Panel	8
335R544	BNC F/F 50Ω Isolated Panel	8
335R744	BNC F/F 75Ω Isolated Panel	8
343A505	BNC F/M/F "I" Adapter	9
345A505	BNC F/F "T" Adapter	10
5313501	TNC Male to BNC Female	11
R0811	RCA Female to N Male	12
R0812	RCA Male to BNC Male	13
R0814	RCA Male to BNC Female	14
R0817	RCA Male to F Male	15
R0819	RCA Male to F Female	16

[RoHS compliant](#) [REQUEST QUOTE](#) [REQUEST DRAWING](#)

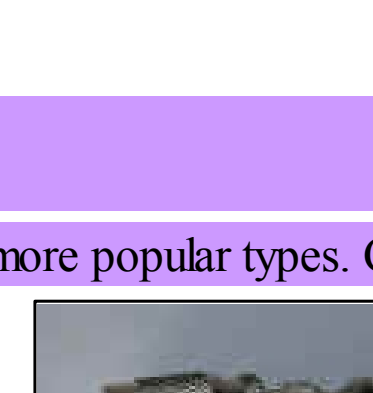


Fig. 1

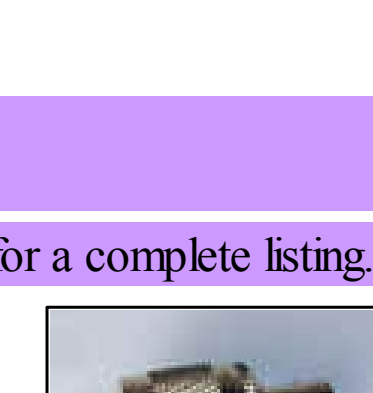


Fig. 2

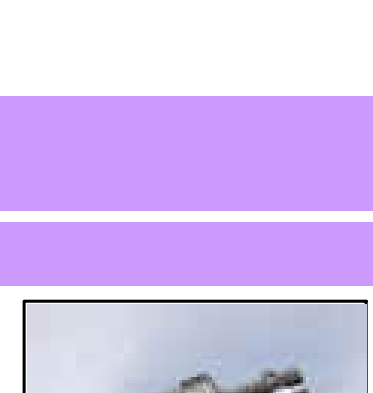


Fig. 3

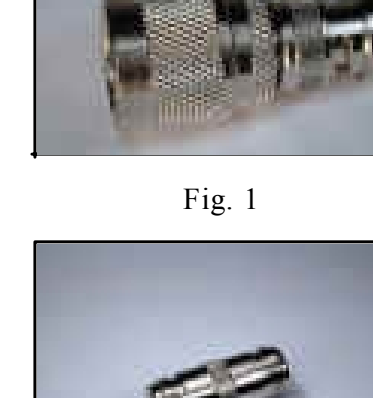


Fig. 4

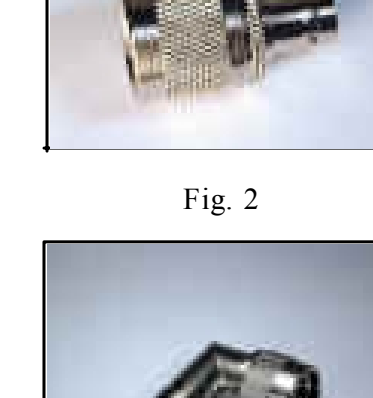


Fig. 5



Fig. 6

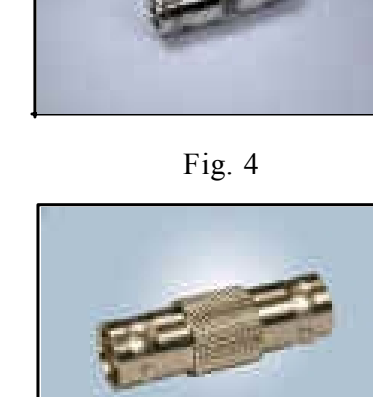


Fig. 7

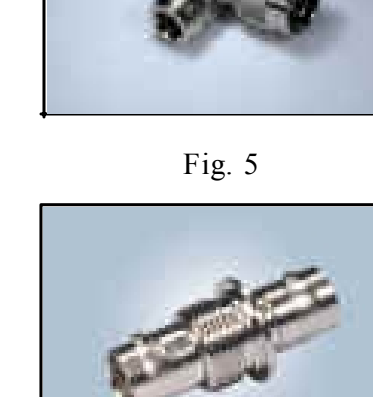


Fig. 8

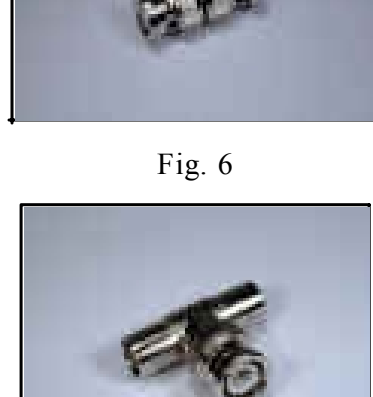


Fig. 9

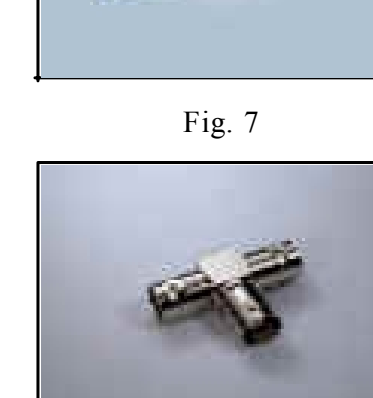


Fig. 10

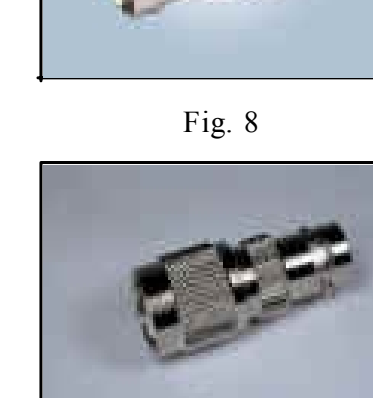


Fig. 11

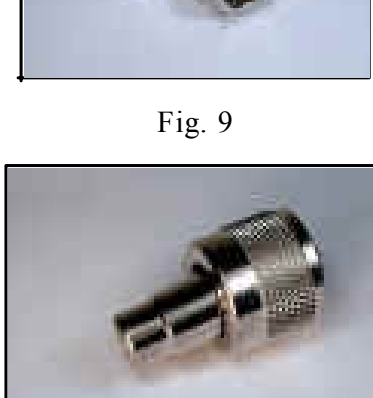


Fig. 12

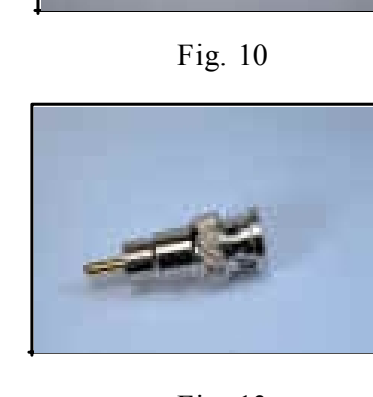


Fig. 13

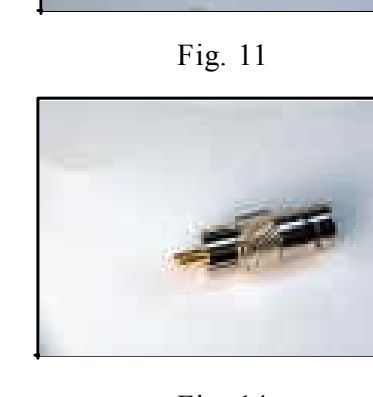


Fig. 14



Fig. 15

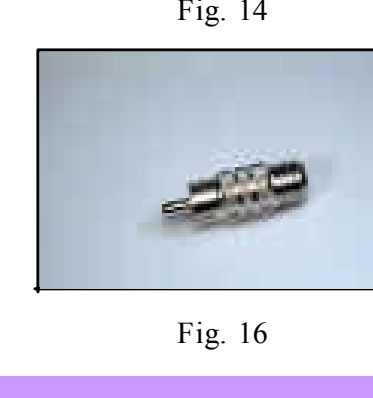


Fig. 16

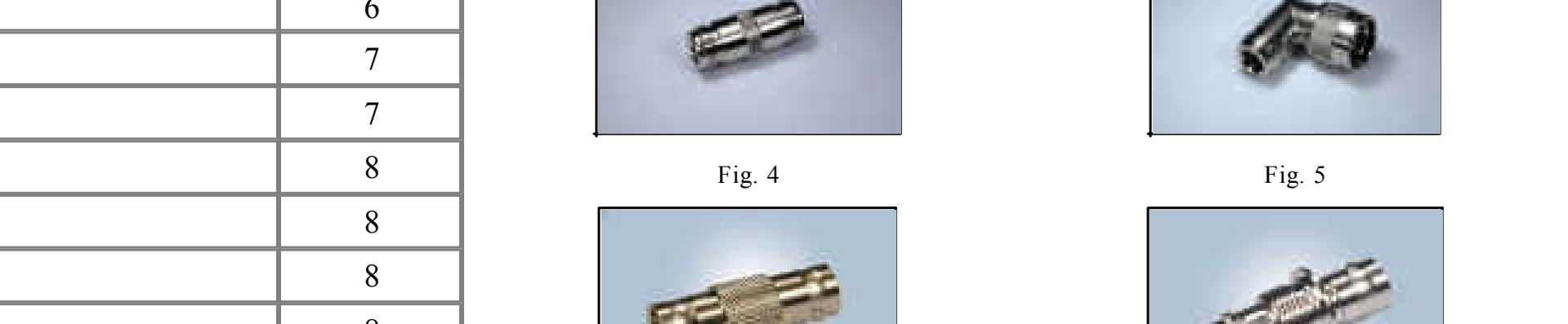
Adapter Kits

ADPT1 is a (30) piece kit containing 2 each males and females of: BNC, TNC, N, Mini-UHF, UHF, SMA and 6 universal adapters. Materials: machined brass, nickel plated bodies, Gold plated contacts. (Commercial grade)

ADPT2 is a (40) piece kit containing 2 each males and females of: BNC, TNC, N, Mini-UHF, UHF, SMA, F, RCA and 6 universal adapters. Materials: machined brass, gold plated bodies. Gold plated contacts. (Broadcast grade rated)

ADPT3PA (Power Kit) is a (8) piece kit containing 7/16 to N, N to N and 7/16 to 7/16 adapters. Materials: machined brass, Gold plated contacts.

ADPT4 RP (Antenna Kit) is a (42) piece kit containing (2) males and (2) females of N, BNC, UHF, TNC, TNC-RT, (Reverse Thread), TNC-RP (Reverse Polarity), SMA, and SMA-RP (Reverse Polarity) and 8 universal adapters. Materials: machined brass, nickel plated bodies, Gold plated contacts.



ADPT2 / ADPT1 ADPT3PA ADPT4RP (Kits are in zippered leather cases and contain enough parts for hundreds of combinations of adapters.)

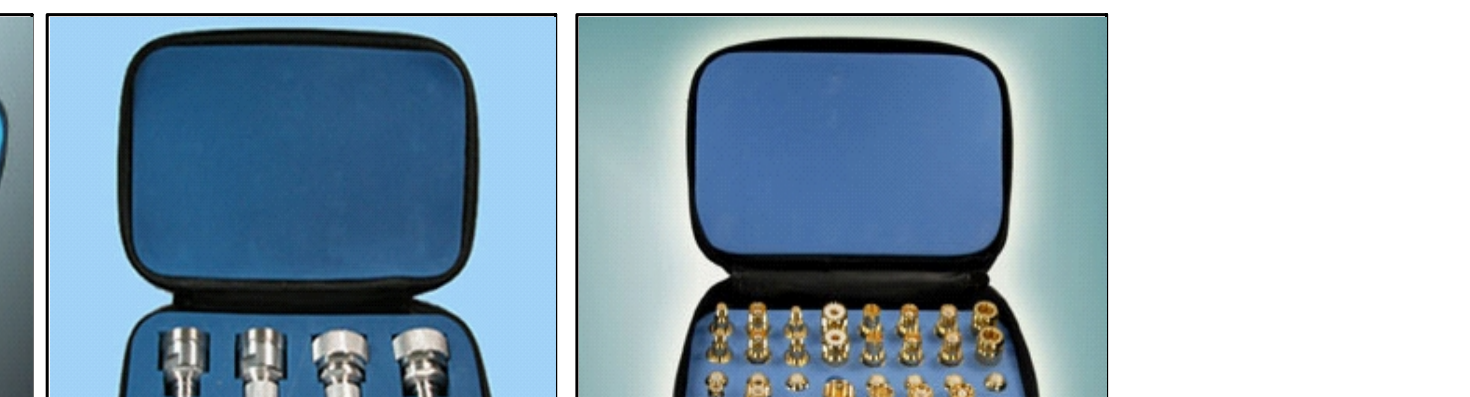
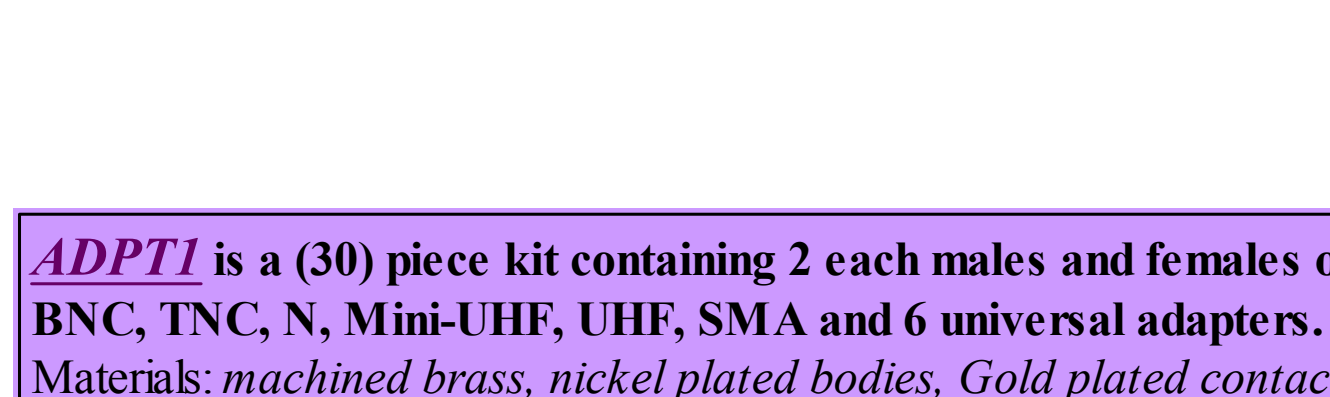
Adapter Kits

[RoHS compliant](#) [REQUEST QUOTE](#)

[back to index](#)

The First BNC/Female / Female Isolated Panel Connector Rated for High Definition

This BNC connector was designed from the contact up to meet the rigid standards for HDTV. Bomar is the first to develop a panel connector of this type to perform as well at frequencies from 100MHz to 3 GHz. It is panel isolated and has a black nickel plated threaded bushing and flange. This attractive black metal flange identifies the connector as one of the Shadow™ HBC series HD connectors. Ask for HBC335R744.



Part No.	Description
HBC335R744	BNC F/F HD Isolated 75Ω Panel Feed thru

[RoHS compliant](#) [REQUEST QUOTE](#) [REQUEST DRAWING](#)

BNC Precision 75 Ohm Terminator .1% Tolerance

Features and Specifications

Precision 0.1% Terminator

Rated for HD Test Applications

True 75 Ohm Impedance

Internal construction designed to perform in HDTV and broadband frequencies.

All precision machined brass body with gold pin, PTFE insulator and heavy bright nickel plating on the body.



Part No.	Description
HBC310X075	BNC F/F HD Isolated 75Ω Panel Feed thru

[RoHS compliant](#) [REQUEST QUOTE](#) [REQUEST DRAWING](#)

Standard 5% tolerance 50 ohm and 75 ohm terminators also available. Ask for 310X054 (50 ohm) and 310X075 (75 ohm)

[back to index](#)

EZ-RJ45™

The new patented EZ-RJ45™ connector simplifies installation by allowing the pairs to be inserted through the connector. There is no difficult to handle liner or wire bar to deal with. Inspection of the correct conductor order is done before crimping so no connector is wasted because of incorrect wiring. The conductors are able to be pulled forward so the pairs are very close to the contacts. This method allows the integrity of the pairs to maintain Category Five, and even enhanced Category 5 and Category 6 capabilities. (50 u in. gold)

The EZ-RJ45™ and both EZ-RJ45™ can be crimped with most any standard tool, then trimmed with a cutter or small utility knife. However, the new BD45000 crimp tool crimps and trims the exposed conductors in one operation. The vertical action of the tool makes a uniform and positive crimp.

Part No.	Description	
30056EZ	6P8C EZ-RJ12 Plug	RJ12
30058EZ	8P8C EZ-RJ45 Category 5 Plug	RJ45
30068EZ	8P8C EZ-RJ45 Category 6 Plug NEW	RJ45
30068SEZ	8P8C EZ-RJ45 Shielded Category 6 Plug NEW	RJ45
BD45000	Crimp and Trim Tool for EZ-RJ12, EZ-RJ45 Cat 5 & 6	----
BD4500BL	Replacement Blades (2 per Plug) for BD45000 Tool	----
CXB300EZ	Cable Boot with Strain Relief (Required for Cat 6)	----
CXB500EZ	Cable Boot SNAGLESS Cat 5 (color: clear) NEW	----
CXB600EZ	Cable	