

# Data Sheet

## PR035xxVBHC

Page 1/5

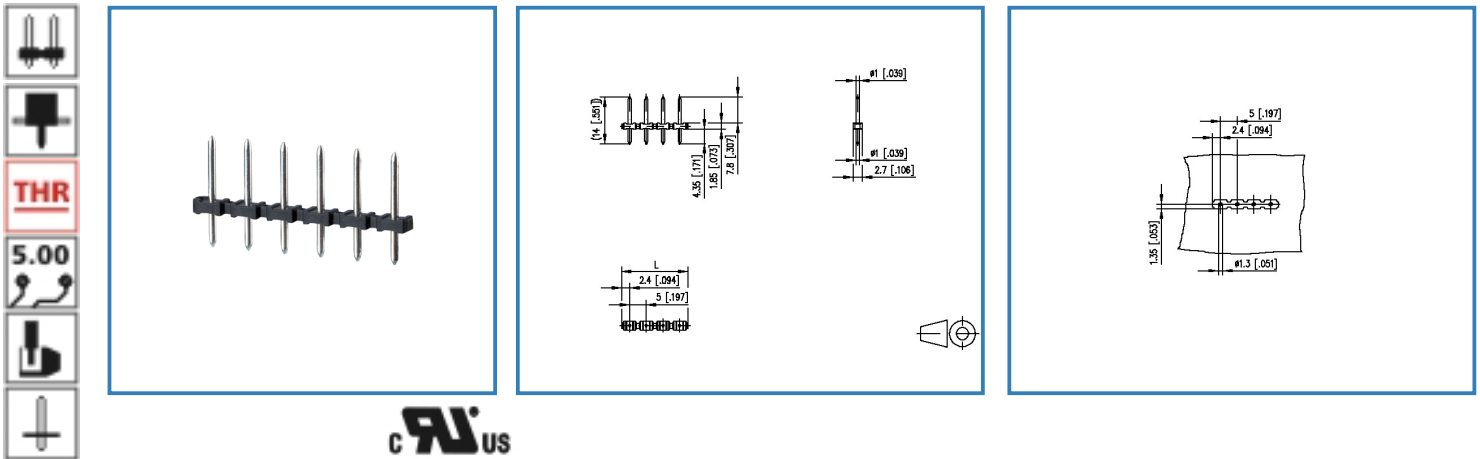
P/N

310461xx

xx=number of poles

2017/02/10

### Illustration



see enlarged drawing at the end of the document

### Product specification

- pin header, THR solderable
- centerline 5.00 mm, direction of connection vertical 0°
- fittable without loss of poles
- color black
- Tape & Reel packaging

# Data Sheet

## PR035xxVBHC

Page 2/5

P/N

310461xx

xx=number of poles


2017/02/10

### Technical Data

#### General Data

Solder pin length	4.35 mm		
min. number of poles	2		
max. number of poles	24		
Insulating material class	CTI 400		
clearance/creepage dist.	4 mm		
protection category	IP 00		
Overvoltage category	III	III	II
Pollution degree	3	2	2
Rated voltage	250 V	500 V	500 V
Rated test voltage	4.0 kV	4 kV	4.0 kV

#### Approvals

 V / A	300 / 10
SEV Reg 130002	13.5 A / 250 V / 4 kV / 3 / IEC 61984

#### Material

insulating material	PA46
flammability class	V0
Glow-Wire Flammability GWFI	-
Glow-Wire Flammability GWIT	-
contact pin material	CuZn
contact pin surface	Ni + Ag

#### Climatic properties

upper limit temperature	105 °C
lower limit temperature	-40 °C

#### General

solderability	Acc. to IPC/JEDEC J-STD-020D-MSL 1
Tolerance	ISO 2768 -mH

# Data Sheet

## PR035xxVBHC

Page 3/5

P/N

310461xx

xx=number of poles

2017/02/10

### Matching Part to

P/N	Product name
311571	RP095xxBBWC Type 157 with snap-in technique
311571XX-002730	RP095xxBBWC Type 157 without ridge
311571XX-002740	RP095xxHBWC Type 157 with ridge
ASP145	SP145xxHBNC ASP145
ASP145XX22-301	SP145xxHBPC with finger push-button
ASP155	SP155xxHBNC ASP155
ASP155XX22-301	SP155xxHBPC with finger push-button
SP145XXHBNC (on request)	SP145xxHBNC ASP145
SP155XXHBNC (on request)	SP155xxHBNC ASP155

# Data Sheet

## PR035xxVBHC

Page 4/5

P/N

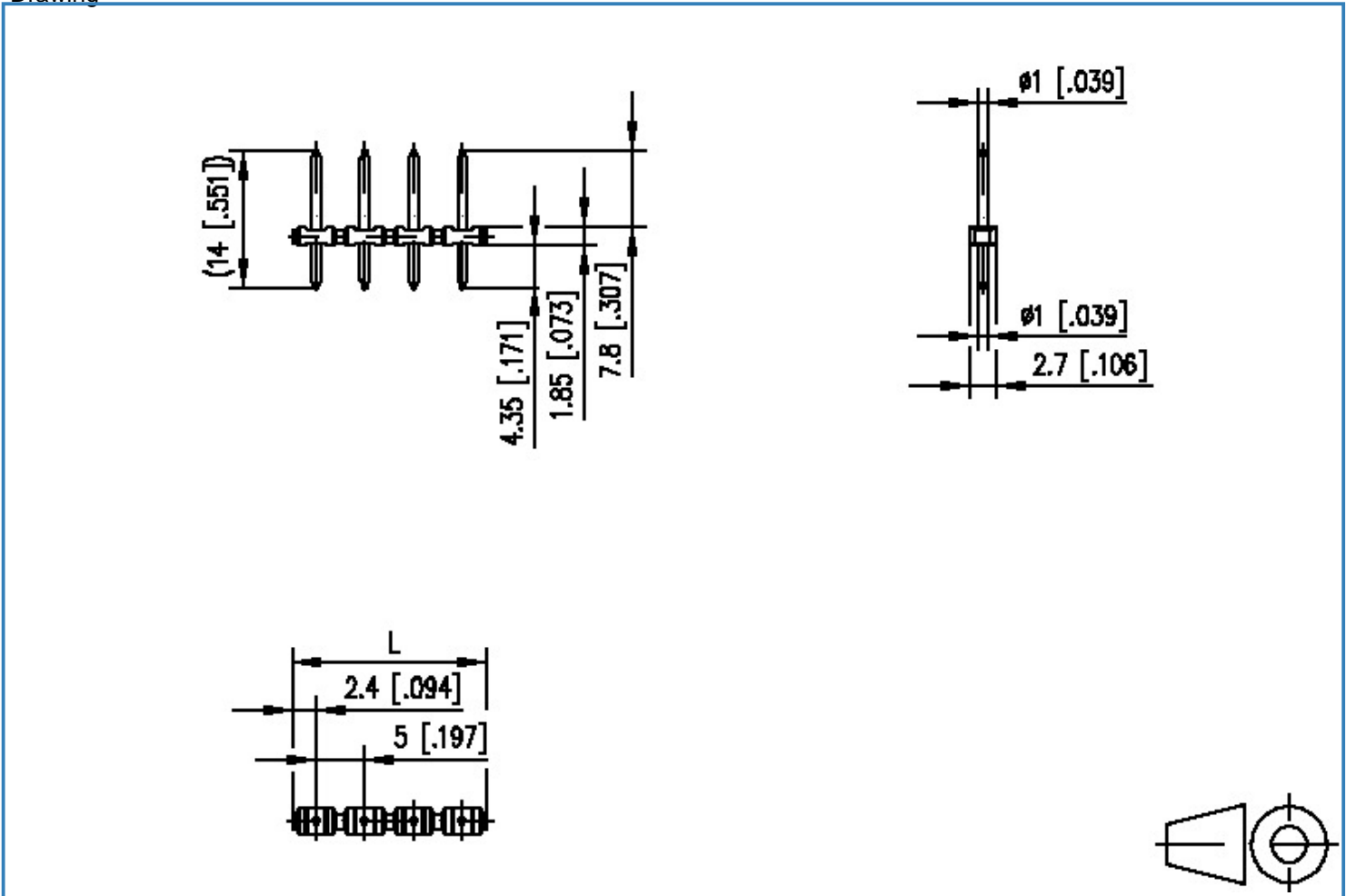
310461xx

xx=number of poles

2017/02/10

### Illustration

Drawing



$L = (\text{pole size} - 1) \times \text{centerline} + 4.8$  [0.189]



# Data Sheet

## PR035xxVBHC

Page 5/5

P/N

310461xx

xx=number of poles

2017/02/10

PCB Layout

