

Data Sheet

RT056xxHBLU

(Type 015)

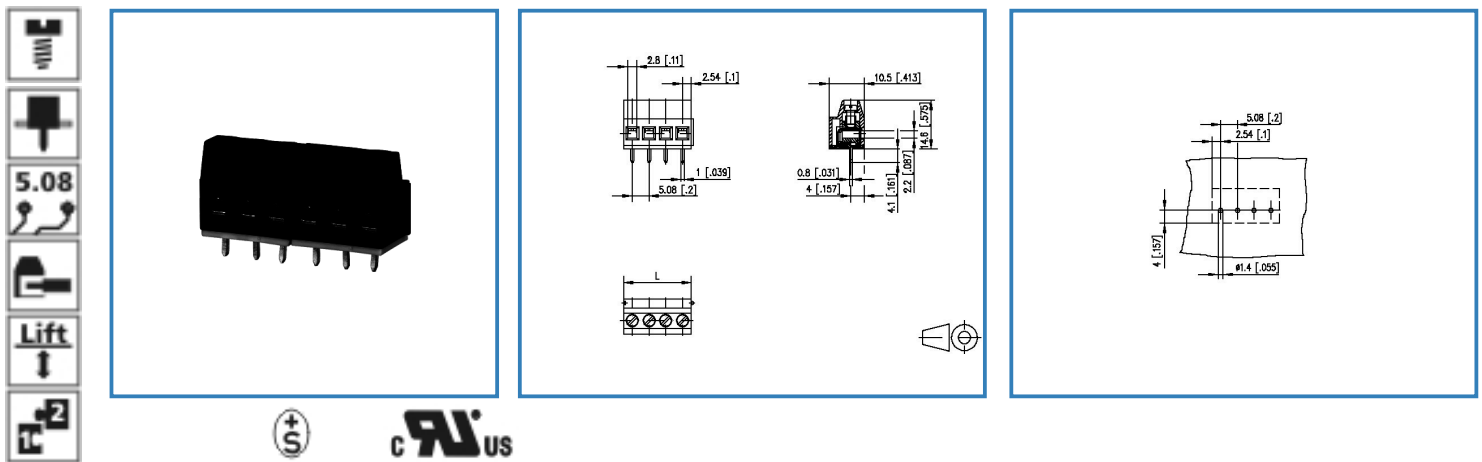
Page 1/5

Order Number

310151xx

xx=number of poles

Illustration



see enlarged drawing at the end of the document

Product specification

- screw type terminal block, solderable
- centerline 5.08 mm, direction of connection 90°
- lift system, modular
- color black
- Connection data

RI US V / A / AWG 300 / 15 / 22 - 14

S 0.33 - 1.5 mm² 250 V / 4 kV / 13 A

Data Sheet

RT056xxHBLU

(Type 015)

Page 2/5

Order Number

310151xx



xx=number of poles

Technical Data

General Data

Tightening torque SEV	0.5 Nm		
Tightening torque UL	8 lb-in		
Solder pin length	4.1 mm		
min. number of positions	2		
max. number of positions	3		
Insulating material class	CTI 600		
clearance/creepage dist.	3.9 mm		
protection category	IP 20		
Overvoltage category	III	III	II
Pollution degree	3	2	2
Rated voltage	250 V	630 V	630 V
Stossspannung	2.5 kV	6 kV	4 kV

Connection data

 V / A / AWG	300 / 15 / 22 - 14		
 0.33 - 1.5 mm ²	250 V / 4 kV / 13 A		

Material

insulating material	PA66		
---------------------	------	--	--

Data Sheet

RT056xxHBLU

(Type 015)

Page 3/5

Order Number

310151xx

xx=number of poles

flammability class	V0
terminal body material	CuZn
terminal body surface	Ni
screw surface	Cu + Ni
screw thread	M3

Climatic properties

upper limit temperature	105 °C
lower limit temperature	-40 °C

General

solderability	For THR products acc. to IPC/JEDEC J-STD-020D-MSL 1 For THT products max. 260°C / 10sec.
tolerance	ISO 2768 -mH

Data Sheet

RT056xxHBLU

(Type 015)

Page 4/5

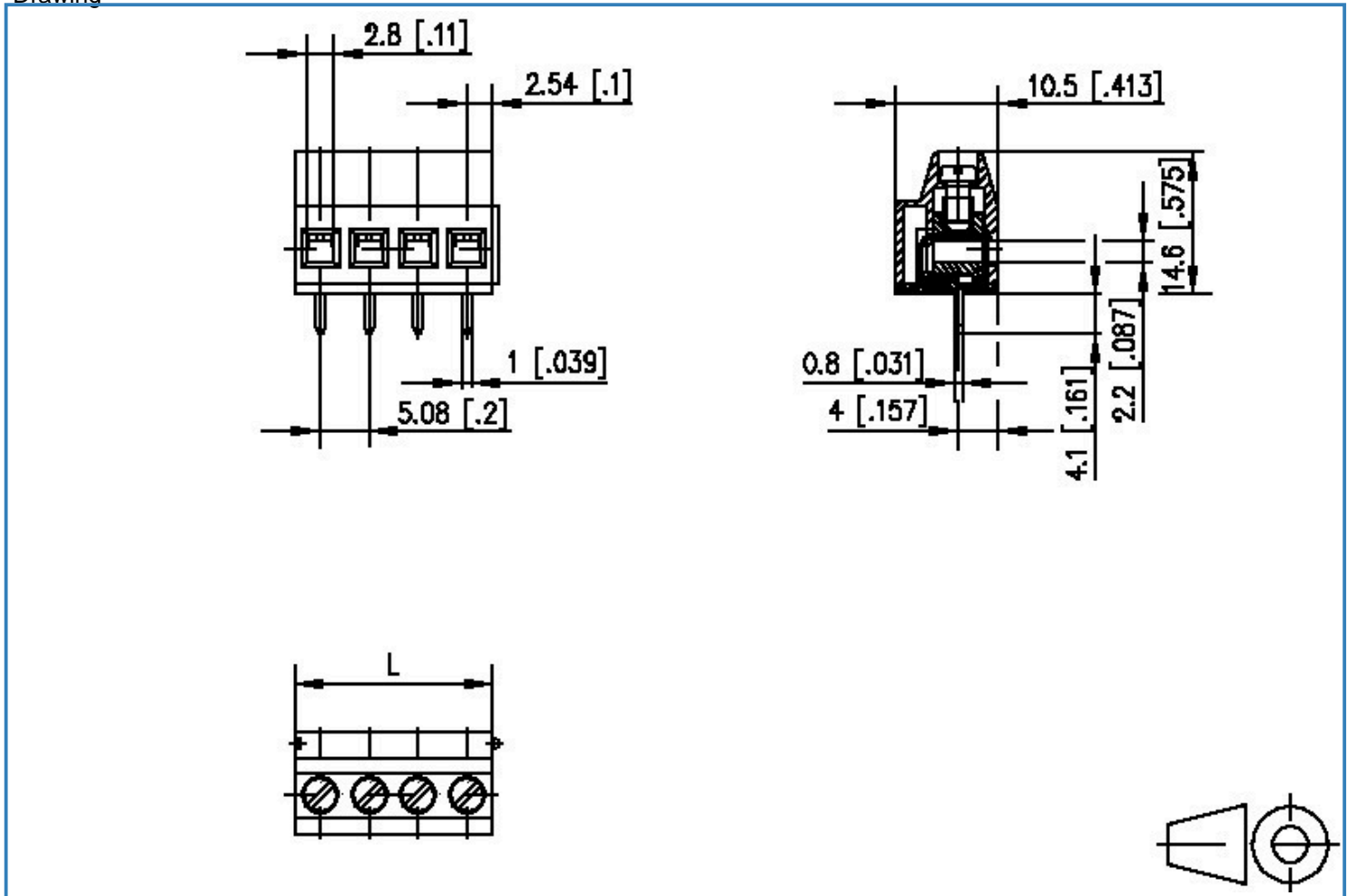
Order Number

310151xx

xx=number of poles

Illustration

Drawing



$$L = (\text{pole size} - 1) \times \text{centerline} + 5.08 [0,200]$$

Data Sheet

RT056xxHBLU

(Type 015)

Page 5/5

Order Number

310151xx

xx=number of poles

PCB Layout

