

Data Sheet

RP015xxWBWC

Page 1/4

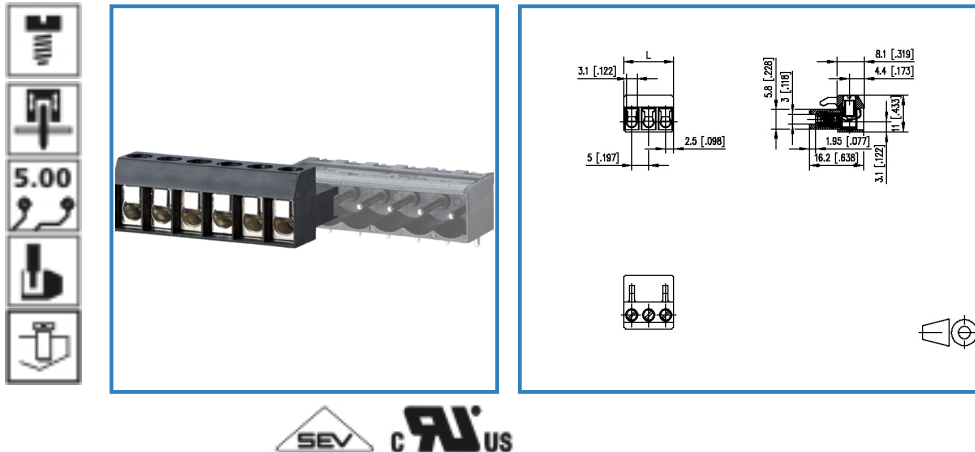
P/N

310091xx

xx=number of poles

2013/12/05

Illustration



see enlarged drawing at the end of the document

Product specification

- screw type terminal block, pluggable
- centerline 5.00 mm, direction of connection vertical 0°
- wire protector, fittable without loss of poles
- color black
- wire entry uncodeable side parallel to plug direction, lamella
- Connection data

cRUUS V / A / AWG 300 / 15 / 22 - 12

SEV 13.5 A / 150 V / 2.5 kV / 3 / IEC 61984 / 0.08 - 2.5 mm²



Data Sheet



RP015xxWBWC

Technical Data

General Data

Tightening torque SEV	0.5 Nm		
Tightening torque UL	7 lb-in		
min. number of poles	2		
max. number of poles	21		
Insulating material class	CTI 600		
clearance/creepage dist.	1.9 mm		
protection category	IP 20		
Overvoltage category	III	III	II
Pollution degree	3	2	2
Rated voltage	125 V	320 V	320 V
Rated test voltage	2.5 kV	2.5 kV	2.5 kV

Connection data

extended wiring UL	Wire range extended to No. 30 AWG for factory-wiring. Two same size wires No. 22-18 AWG Cu Sol/Str for field-wiring; No. 30-18 Cu Sol/Str factory-wiring.		
 V / A / AWG	300 / 15 / 22 - 12		
	13.5 A / 150 V / 2.5 kV / 3 / IEC 61984 / 0.08 - 2.5 mm ²		

Material

insulating material	PA66
flammability class	V0
terminal body material	CuZn
terminal body surface	Ni
screw surface	Zn Cr(VI)-frei/free
wire protector material	CuSn
wire protector surface	Sn
screw thread	M3

Climatic properties

upper limit temperature	105 °C
lower limit temperature	-40 °C

General

Tolerance	ISO 2768 -mH
-----------	--------------

Data Sheet

RP015xxWBWC

Page 3/4

P/N

310091xx

xx=number of poles

2013/12/05

Matching Part

P/N	Product name
310191	PT045xxVBEC Typ 019
310201	PT045xxVBBN Typ 020
310291	PT045xxHBEC Typ 029
310301	PT045xxHBBN Typ 030
310311	PT045xxHBVC Typ 031
310321 (on request)	PT045xxHBVN Typ 032

Accessories

P/N	Product name
716906	716906

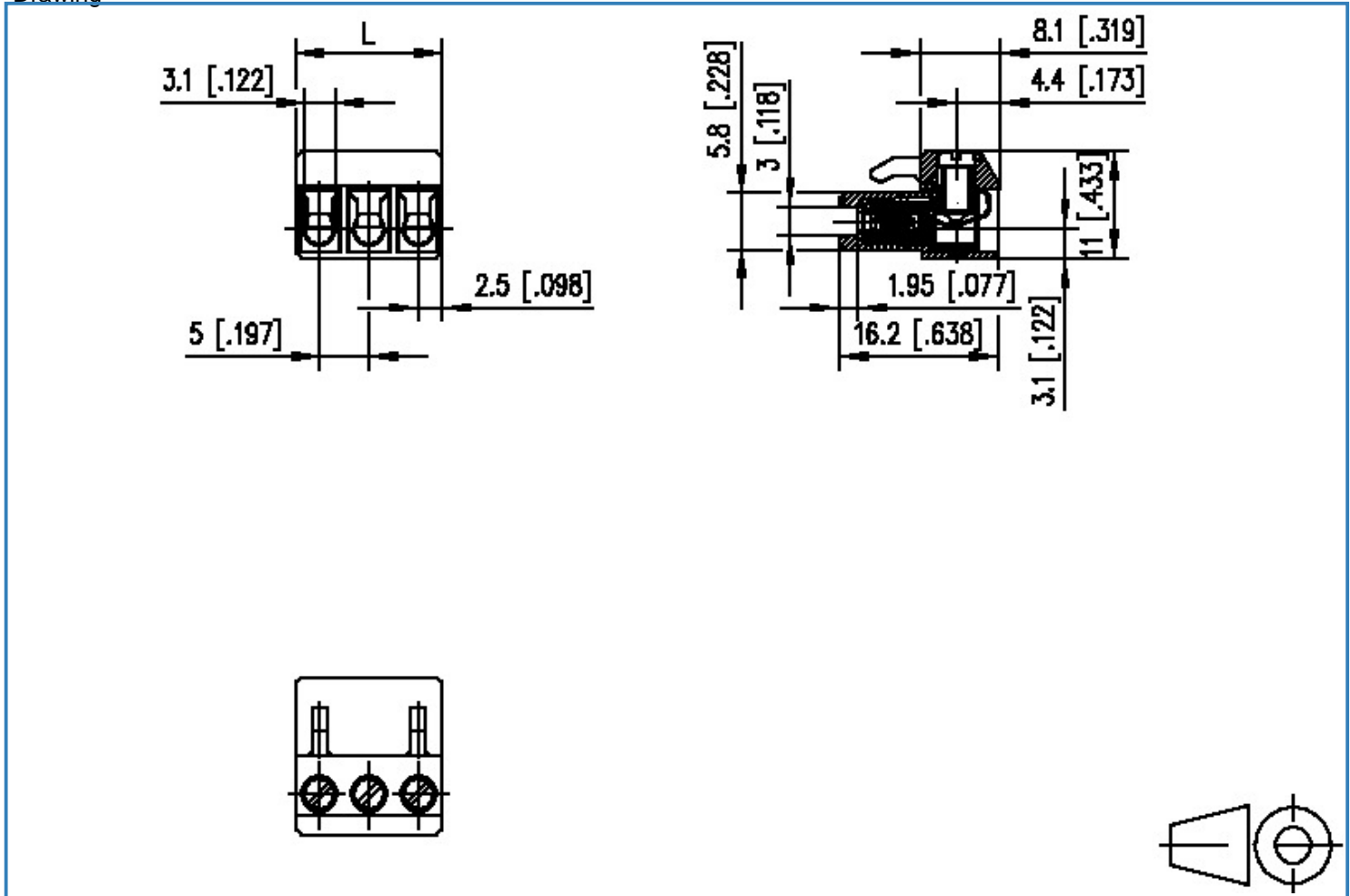


Data Sheet

RP015xxWBWC

Illustration

Drawing



$L = (\text{pole size} - 1) \times \text{centerline} + 5 [0.197]$

