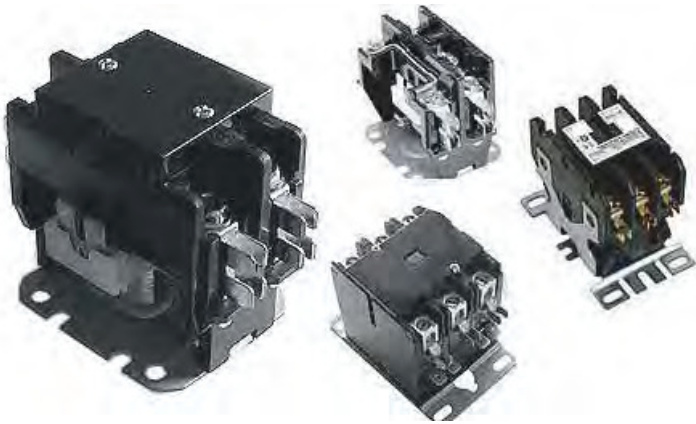


30C

definite purpose contactors



30C

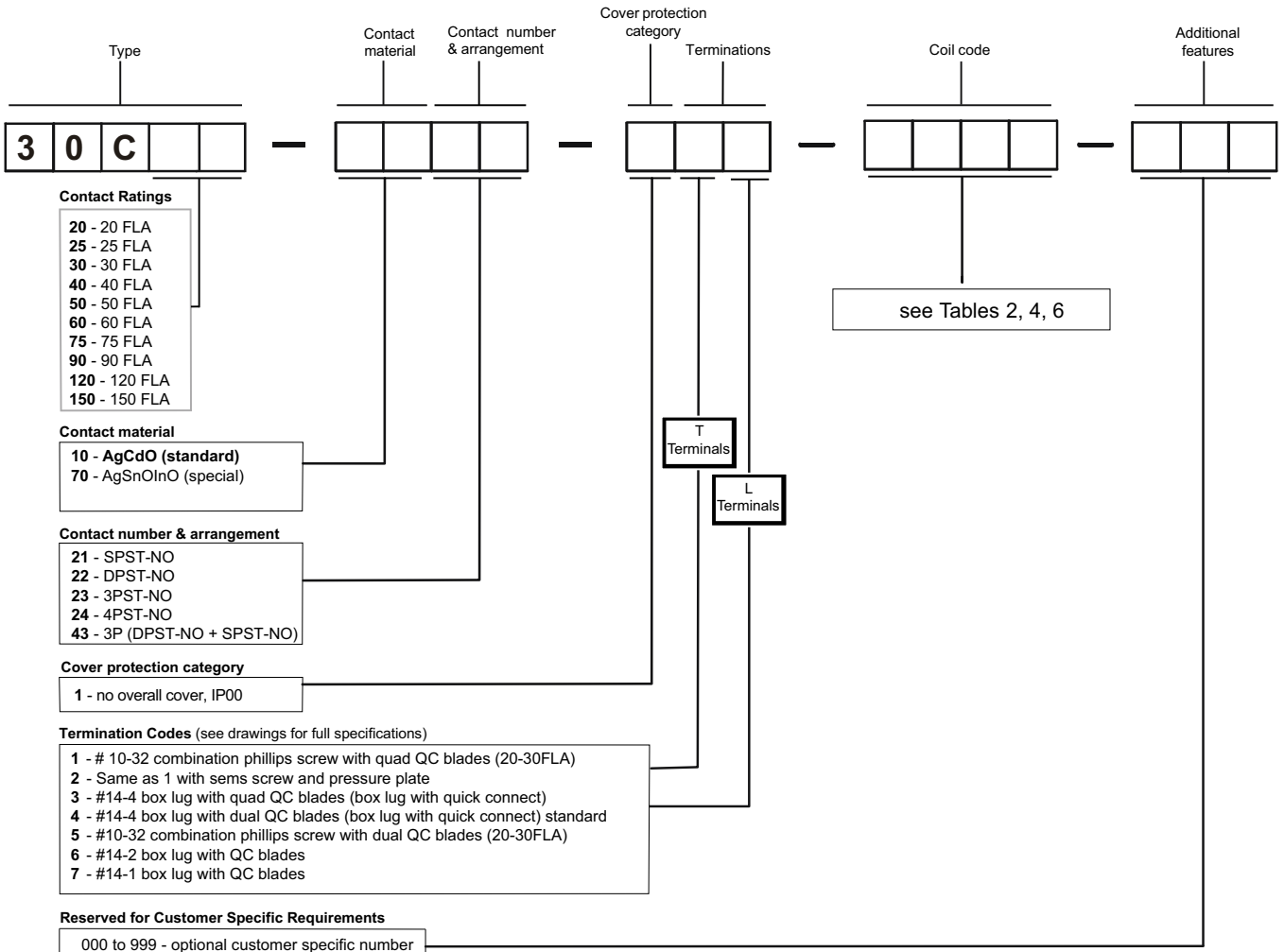
Definite Purpose Contactor

20FLA - 150FLA
Robust 1-4 Pole Contactor
Industry Standard Mounting
Arc Covers as standard

UL File No: E61703
RoHS Compliant



Ordering Codes



30C

definite purpose contactors



1 & 2 Pole

20, 25, 30 & 40 FLA

Contact Data

Table 1

Arrangements: 1 Form X (SPST-NO-DM) with or without shunt.

2 Form X (DPST-NO-DM)

Material: AgCdO, AgSnO₂In₂O₃

Model No	Full Load Amps (FLA)	Poles	Line Voltage	Locked Rotor Amps (LRA)	Resistive Amps	Max. HP	
						Voltage	1 Phase
30C20-1021	20	1	240/277	120	30	120	1
			480	50		240	2
			600	40			
30C20-1022	20	2	240/277	120	30	120	2
			480	100		240	3
			600	80			
30C25-1021	25	1	240/277	150	35	120	1
			480	50		240	2
			600	40			
30C25-1022	25	2	240/277	150	35	120	1
			480	125		240	2
			600	100			
30C30-1021	30	1	240/277	150	40	120	1
			480	75		240	2
			600	50			
30C30-1022	30	2	240/277	150	40	120	2
			480	125		240	3
			600	100			
30C40-1021	40	1	240/277	240	50	120	2
			480	200		240	3
			600	160			
30C40-1022	40	2	240/277	240	50	120	2
			480	200		240	3
			600	160			

Coil Data

Table 2

Voltage: 24-277VAC, 50/60Hz. See coil data below. (480VAC available but not UL approved)

Insulation Class: UL Class B (130°C)

Coil Code	Rated Voltage 50/60Hz	Coil Resistance Ohms	Coil Operating Voltage			Minimum Inrush		Nominal Coil Power	
			Must Release	Must Operate	Max Voltage	VA @ 50Hz	VA @ 60Hz	VA @ 50Hz	VA @ 60Hz
5024	24	18	6	18	30	31	28	6	5
5120	120	420	20	88	132	31	28	6	5
5230	208/240	1800	40	177	264	31	28	6	5
5277	277	2500	50	221	300	31	28	6	5



30C

definite purpose contactors



1 & 2 Pole

20, 25, 30 & 40 FLA

General Specifications

INITIAL DIELECTRIC STRENGTH

Between Contacts & Coils: 2,200 VAC
Between Poles: 2,200 VAC (includes shunt)
Between Open Contacts: 2,200 VAC (no shunt)

ARC COVER

Standard

INSULATION SYSTEM

130°C Class B

TEMPERATURE RANGE

-40°C to +65°C (-40°F to +150°F)

UNIT WEIGHT

1 Pole 0.5lb
2 Pole 0.6lb

POWER POLE TERMINATIONS

#10-32 screw or box lug

WIRE SIZE

#10-32 screw 16-8*
Box lug 14-4

*must use ring terminal

RECOMMENDED TIGHTENING TORQUE

#10-32 screw 22 in. lbs
Box lug 40 in. lbs

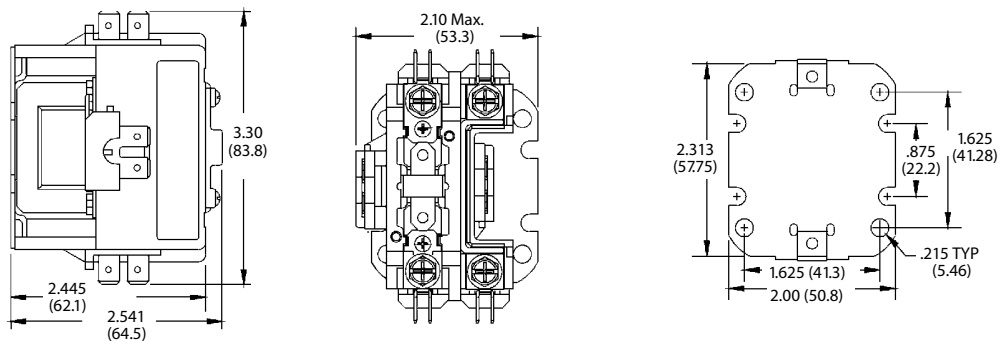
QUICK CONNECTS

Coil terminals Dual: 0.250" QC
Power terminals 1 Pole: Quad 0.250" QC
2 Pole: Dual or Quad 0.250" QC

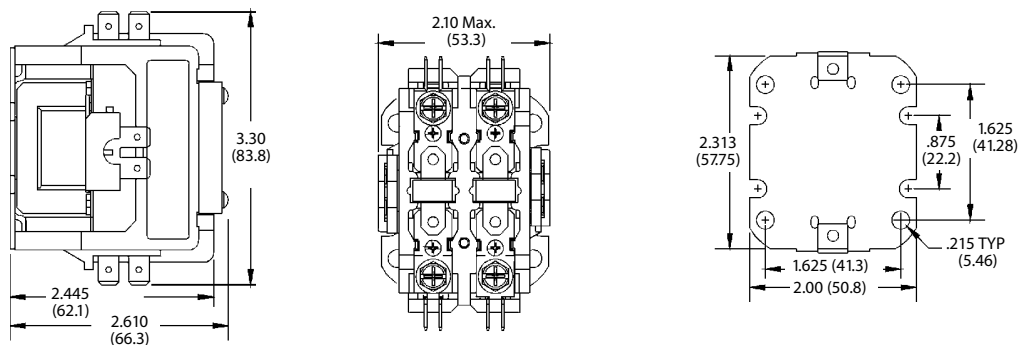
Outline Dimensions

Dimensions in inches (millimetres)

1 Pole



2 Pole



30C

definite purpose contactors



3 & 4 Pole

20, 25, 30 & 40 FLA

Contact Data

Table 3

Arrangements: 3 Form X (3PST-NO-DM)
 4 Form X (4PST-NO-DM)
 Material: AgCdO

Contact Ratings:

Model No.	Full Load Amps FLA	Poles	Line Voltage	Locked Rotor Amps (LRA)	Resistive Amps	Max HP		
						Voltage	1 Phase	3 Phase
30C20-1023	20	3				110/120	1.5	
			240/277	120	30	200/240	3	7.5
			480	100	30	480/600		7.5
			600	80	30			
30C25-1023 30C25-1024	25	3				110/120	2	
			240/277	150	35	240/277	5	10
			480	125	35	480		15
			600	100	35	600		20
30C30-1023 30C30-1024	30	3				110/120	2	
			240/277	180	40	240/277	5	10
			480	150	40	480		15
			600	120	40	600		20
30C40-1023 30C40-1024	40	3				110/120	3	
			240/277	240	50	240/277	7.5	10
			480	200	50	480		20
			600	160	50	600		25

Coil Data

Table 4

Voltage: 24-277VAC, 50/60Hz. See coil data below. (480VAC available but not UL approved)
 Insulation Class: UL Class B (130°C)

3 Pole

Coil Code	Rated Voltage 50/60Hz	Coil Resistance Ohms	Coil Operating Voltage			Minimum Inrush		Nominal Coil Power	
			Must Release	Must Operate	Max Voltage	VA @ 50Hz	VA @ 60Hz	VA @ 50Hz	VA @ 60Hz
5024	24	7	6	18	30	65	60	7.5	6
5120	120	180	20	88	132	65	60	7.5	6
5230	208/240	720	40	177	264	65	60	7.5	6
5277	277	900	50	221	300	65	60	7.5	6

4 Pole

Coil Code	Rated Voltage 50/60Hz	Coil Resistance Ohms	Coil Operating Voltage			Minimum Inrush		Nominal Coil Power	
			Must Release	Must Operate	Max Voltage	VA @ 50Hz	VA @ 60Hz	VA @ 50Hz	VA @ 60Hz
5024	24	6	6	18	30	60	55	9	7
5120	120	150	20	88	132	60	55	9	7
5230	208/240	600	40	177	264	60	55	9	6
5277	277	750	50	132	300	60	55	9	7



30C

definite purpose contactors

DURAKOOL

3 & 4 Pole

20, 25, 30 & 40 FLA

General Specifications

INITIAL DIELECTRIC STRENGTH

Between Contacts & Coils: 2,200 VAC

Between Poles: 2,200 VAC

Between Open Contacts: 2,200 VAC

ARC COVER

Standard on 40FLA

INSULATION SYSTEM

130°C Class B

TEMPERATURE RANGE

-40°C to +65°C (-40°F to +150°F)

UNIT WEIGHT

3 Pole 1 lb

4 Pole 1.25 lb

POWER POLE TERMINATIONS

#10-32 screw or box lug

WIRE SIZE

#10-32 screw 16-8*

Box lug 14-4

*must use ring terminal

RECOMMENDED TIGHTENING TORQUE

#10-32 screw 22 in. lbs

Box lug 40 in. lbs

QUICK CONNECTS

Coil terminals Dual: 0.250" QC

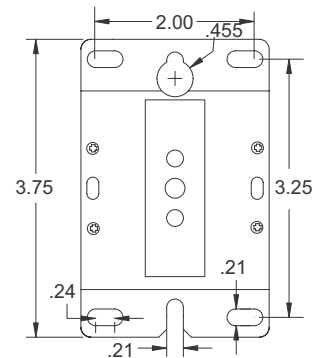
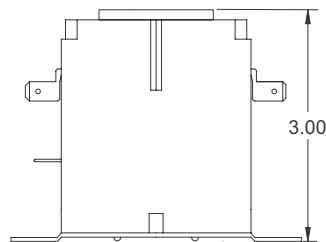
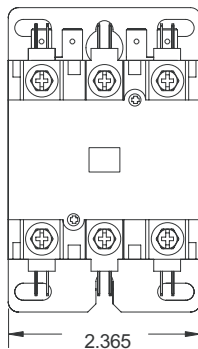
or # 6-32 screw/0.250" QC

Power terminals Quad 0.250" QC

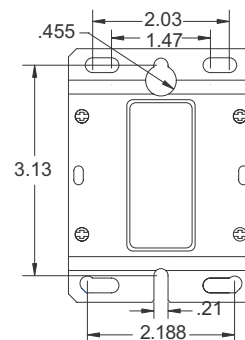
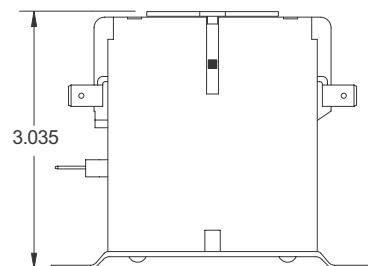
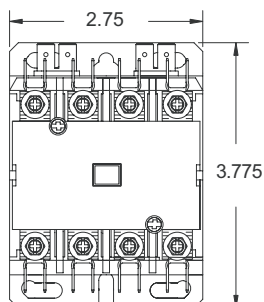
Outline Dimensions

Dimensions in inches

3-Pole (inch)



4-Pole (inch)



30C

definite purpose contactors



3 Pole

50, 60, 75 & 90 FLA

Contact Data

Table 5

Arrangements: 3 Form X (3PST-NO-DM)
 4 Form X (4PST-NO-DM)
 Material: AgCdO, AgSnOInO

Contact Ratings:

Model No.	Full Load Amps FLA	Poles	Line Voltage	Locked Rotor Amps	Resistive	Max HP		
				LRA	Amps	Voltage	1 Phase	3 Phase
30C50-1023	50	3	115	300	65	110/120	3	
			240	300	65	200/208	7.5	15
			480	250	65	240/277	10	15
			600	200	65	480		30
30C60-1023	50	3	115	360	75	110/120	5	
			240	360	75	200/208	7.5	20
			480	300	75	240/277	10	20
			600	240	75	480		40
30C75-1023	50	3	115	450	93	110/120	7.5	
			240	450	93	200/208	15	20
			480	375	93	240/277	20	25
			600	300	93	480		40
30C90-1023	50	3	115	540	120	110/120	5	
			240	540	120	200/208	7.5	20
			480	450	120	240/277	10	30
			600	360	120	480		50

Coil Data

Table 6

Voltage: 24-277VAC, 50/60Hz. See coil data below. (480VAC available but not UL approved)
 Insulation Class: UL Class B (130°C)

50-60FLA Contactors

Coil Code	Rated Voltage 50/60Hz	Coil Resistance Ohms	Coil Operating Voltage			Minimum Inrush		Nominal Coil Power	
			Must Release	Must Operate	Max Voltage	VA @ 50Hz	VA @ 60Hz	VA @ 50Hz	VA @ 60Hz
5024	24	7	6	18	30	140	132	20	14
5120	120	180	20	88	132	140	132	20	14
5230	208/240	720	40	177	264	140	132	20	14
5277	277	900	50	235	300	140	132	20	14

75-90FLA Contactors

Coil Code	Rated Voltage 50/60Hz	Coil Resistance Ohms	Coil Operating Voltage			Minimum Inrush		Nominal Coil Power	
			Must Release	Must Operate	Max Voltage	VA @ 50Hz	VA @ 60Hz	VA @ 50Hz	VA @ 60Hz
5024	24	0.65	6	18	30	285	240	42	27
5120	120	16	20	88	132	285	240	42	27
5230	208/240	64	40	177	264	285	240	42	27
5277	277	85	65	221	300	285	240	42	27



30C

definite purpose contactors

DURAKOOL

3 Pole

50, 60, 75 & 90 FLA

General Specifications

INITIAL DIELECTRIC STRENGTH

Between Contacts & Coils: 2,200 VAC

Between Poles: 2,200 VAC

Between Open Contacts: 2,200 VAC

ARC COVER

Standard

INSULATION SYSTEM

130°C Class B

TEMPERATURE RANGE

-40°C to +65°C (-40°F to +150°F)

UNIT WEIGHT

50-60FLA 2 lb

75-90FLA 4 lb

POWER POLE TERMINATIONS

Aluminum boxlug

WIRE SIZE

50-60FLA BoxLug 14-2

75-90FLA BoxLug 14-1

RECOMMENDED TIGHTENING TORQUE

Box lug 50 in. lbs

QUICK CONNECTS

Coil terminals Dual: 0.250" QC

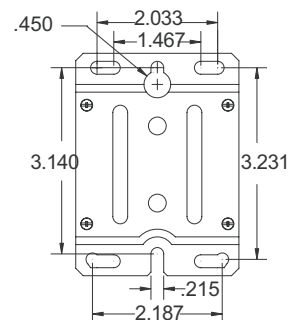
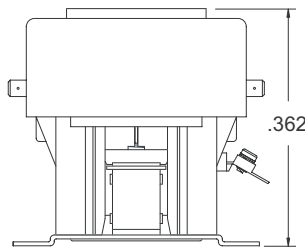
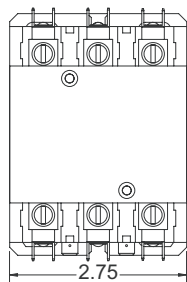
or # 6-32 screw/0.250" QC

Power terminals Quad 0.250" QC

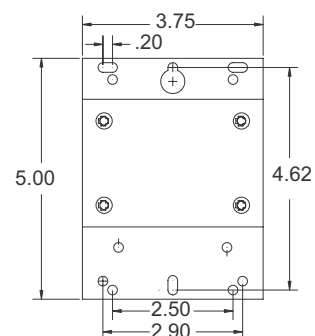
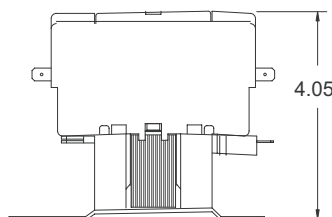
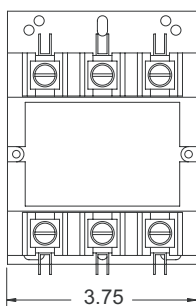
Outline Dimensions

Dimensions in inches

50-60FLA



75-90FLA





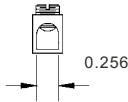
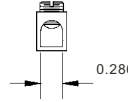
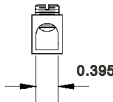
30C

definite purpose contactors



Terminations

Dimensions in inches

Standard on 20-30FLA #10-32 combination phillips, slotted and 5/16 hex head with #12 washer		Optional on 20-40FLA #10-32 sems screw with pressure plate	
40FLA Box Lug 14-4 AWG Cu/Al		50-60FLA Box Lug 14-2 AWG Cu/Al	
75-90FLA Box Lug 14-1 AWG Cu/Al			

Auxillary Switches for 3 & 4 Pole contactors (20-40FLA)

Description	Contact arrangement	Termination	Part Number
Single unit interlock configuration. One on each side - max set up two switches	1NO/1NC break before make	250" quick connects	30CA1Q
Single unit interlock configuration. One on each side - max set up two switches	1NO/1NC break before make	#6-32 screw terminals	30CA1S
SPDT circuit One switch on each side	SPDT	250" quick connects	30CB1Q
SPDT circuit One switch on each side	(2) SPDT	250" quick connects	30CB2S

Contact Rating

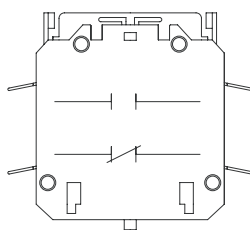
Single circuit 1NO/1NC

Voltage Rating	120VAC	240VAC	480VAC	600VAC
Amperes-Break	3.0	1.5	0.75	0.6
Amperes-Make	30	15	75	6
Amperes-Continuous	10	10	10	10

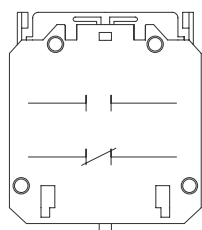
SPDT

10A, 1/3 HP, 125 or 250VAC
1/2A, 125VDC
1/4A, 250VDC

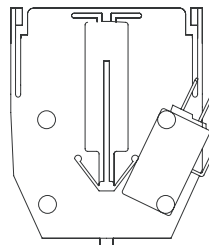
1 NO/1NC
quick connects



1 NO/1NC
screw terminals



One SPDT
switch per side



Two SPDT
switches per side

