

Bar/T Knobs

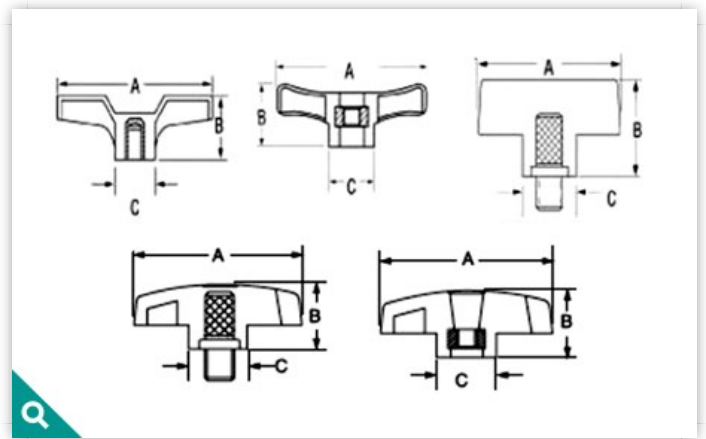
Series #3090

- ▶ Over 20 different shapes of bar knobs and T knobs available in both thermoplastic and phenolic materials.
- ▶ Sizes ranging from 1-1/32" to 3-3/8" in diameter.
- ▶ Female insert, projecting stud and thru-hole bar knobs options.
- ▶ Click on the part number for additional information and search by diameter, mounting, material, etc.
- ▶ Knobs can be decorated or customized to your specific need.
- ▶ Colors available upon request.
- ▶ Please note: Not all variations available are listed below. Please [contact customer service](#) to inquire about all available options.



CHECK INVENTORY

REQUEST A QUOTE



Item #	Diameter A	Height B	Hub C	Material Type	Mounting Diameter	Mounting Type	Thread Length/Depth	Color	Product Drawing
3090-F	2	1.125	0.75	Thermoset	3/8-16	Projecting Stud	1.50	Black	Download
3090-H	2	1.125	0.75	Thermoset	1/4-20	Female Insert	0.375	Black	Download
3090-J	2	1.125	0.75	Thermoset	5/16-18	Female Insert	0.50	Black	Download
3090-K	2	1.125	0.75	Thermoset	3/8-16	Female Insert	0.50	Black	Download
3090-L	2	1.125	0.75	Thermoset	1/4-20	Projecting Stud	0.56	Black	Download
3090-M	2	1.125	0.75	Thermoset	5/16-18	Projecting Stud	0.75	Black	Download
3090-N	2	1.125	0.75	Thermoset	3/8-16	Projecting Stud	1.00	Black	Download
3090-R	2	1.125	0.75	Thermoset	3/8-16	Projecting Stud	2.50	Black	Download
3090-V	2	1.125	0.75	Thermoset	1/4-20	Projecting Stud	1.00	Black	Download
3090AE	2	1.125	0.75	Thermoset	1/4-20	Projecting Stud	0.875	Black	Download
3090AN	2	0.78	0.75	Thermoset	5/16-18	Projecting Stud	1.50	Black	Download
3090AV	2	1.125	0.75	Thermoset	1/4-20	Projecting Stud	2.25	Black	Download
3090AY	2	1.125	0.75	Thermoset	5/16-18	Female Insert	0.50	Black	Download
3090BA	2	1.125	0.75	Thermoset	1/4-20	Projecting Stud	1.25	Black	Download
3090BC	2	1.125	0.75	Thermoset	1/4-20	Projecting Stud	0.75	Black	Download
3090BD	2	1.125	0.75	Thermoset	3/8-16	Projecting Stud	1.50	Black	Download

3090BL	2	1.125	0.75	Thermoset	1/4-20	Projecting Stud	1.50	Black	Download
3090BP	2	1.125	0.75	Thermoset	5/16-18	Projecting Stud	0.50	Black	Download
3090CF	2	1.125	0.75	Thermoset	5/16-18	Projecting Stud	1.00	Black	Download
3090CH	2	1.125	0.75	Thermoset	5/16-24	Projecting Stud	0.50	Black	Download
3090CM	2	1.125	0.75	Thermoset	1/4-20	Projecting Stud	0.75	Black	Download
3090CP	2	1.125	0.75	Thermoset	1/4-20	Projecting Stud	0.50	Black	Download
3090CR	2	1.125	0.75	Thermoset	5/16-18	Projecting Stud	0.875	Black	Download
3090CW	2	1.125	0.75	Thermoset	1/4-20	Projecting Stud	2	Black	Download
3090CX	2	1.125	0.75	Thermoset	5/16-24	Projecting Stud	2	Black	Download
3090DH	2	1.125	0.75	Thermoset	3/8-16	Projecting Stud	1.25	Black	Download
3090DL	2	1.125	0.75	Thermoset	3/8-16	Projecting Stud	0.75	Black	Download
3090DP	2	1.125	0.75	Thermoset	1/4-28	Female Insert	0.44	Black	Download
3090DS	2	1.125	0.75	Thermoset	3/8-16	Projecting Stud	1.00	Black	Download
3090DV	2	1.125	0.75	Thermoset	1/4-20	Projecting Stud	0.56	Black	Download
3090DW	2	0.78	0.75	Thermoset	5/16-18	Projecting Stud	1.125	Black	Download

PRODUCTS

- [Knobs](#)
- [Handles](#)
- [Electronic Enclosures](#)
- [Hex Hybrid Standoffs](#)
- [Two-Shot / Soft Touch](#)
- [Frac Balls](#)
- [Cable Glands](#)
- [Rubber Grommets](#)
- [Custom Molding](#)

RESOURCES

- [Engineering Specifications](#)
- [Distributor Listing](#)
- [Sales Representative Listing](#)

COMPANY

- [About Us](#)
- [Capabilities](#)
- [Certifications](#)
- [Contact Us](#)
- [Blog](#)
- [Careers](#)

QUESTIONS ?

1 + 1 = *

SEND