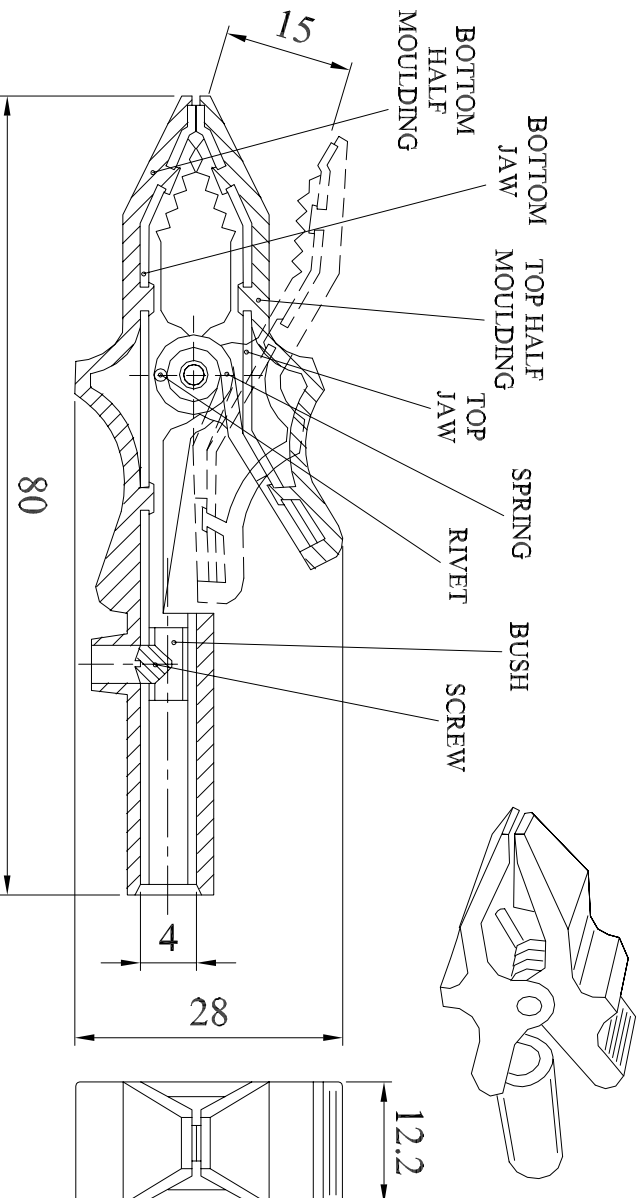


Shrouded jaws make this product ideally suitable for instrumentation usage. The rear entry socket will accept 4mm plugs or wires clamped by an integral screw. The acetal moulding is available in two colours, red or black, and the internal metalwork is nickel plated steel.

Rated at 10 Amps
Operating Voltage 240 V

MATERIALS	
TOP HALF Moulding	Noryl SE1 604
TOP JAW	B.M.S., nickel plated
BOTTOM HALF Moulding	Noryl SE1 604
BOTTOM JAW	B.M.S., nickel plated
SPRING	Spring Steel
RIVET	Brass
BUSH	Brass
SCREW	Brass

Dimensions



307-0100	BLACK
307-0500	RED

CONVERTED FROM PS00401 ISS5 (17.07.98) IN JAN 2003

Drgn No 307 SERIES TITLE LARGE INSULATED CROCODILE CLIP

ALL DIMENSIONS IN MM
ANGLES IN DECIMAL DEGREES

DELTRON Components

ISS 1

GENERAL SPECIFICATION
FOR 307 SERIES

CUSTOMER

FILTER REF

Aprvd Date 10/02/03

Aprvd By MC

Drwn by BFS

Scale: NTS

Sheet 1 / 1