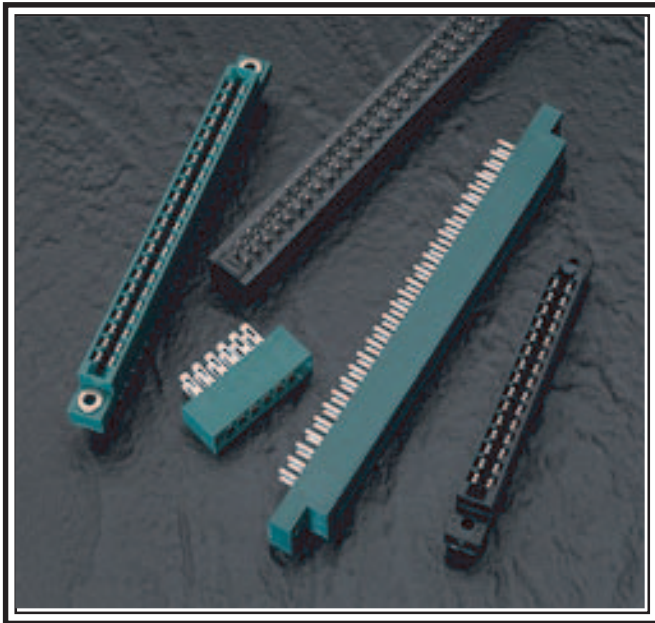


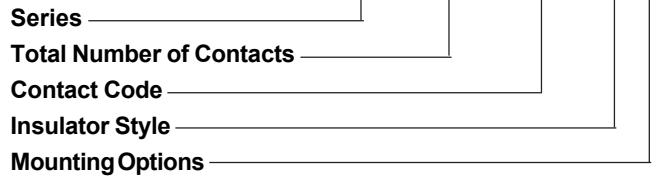
# 305/315/355 SERIES CARD EDGE CONNECTOR

.156" (3.96mm) Contact Spacing



## 305/315/355 SERIES ORDERING CODE

Example Part Number **305 - 056 - 521 - 2 04**



## FEATURES

- 305/355 Series CSA Approved and UL Recognized
- 315 Series UL Recognized
- .156 (3.96) Contact Spacing x .140 (3.56) Row Spacing
- Accepts .062 (1.57) Nominal Thickness P.C. Board
- Low Profile Insulator Body, .460 (11.68)
- Contact Termination Options include P.C. Tail, Wire Hole & Extender Board Bends
- Large Variety of Mounting Options
- Pre-assembled Card Guides Available
- Accepts Between Contact and In-Contact Polarizing Keys

## SPECIFICATIONS

- ◆ Insulator Material: Thermoplastic Polyester, UL 94V-0
- ◆ Contact Material: Copper, Nickel, Tin Alloy CA-725
- ◆ Contact Plating: Gold on the Mating Area, Tin on the Contact Tails, Nickel Underplate
- ◆ Current Rating: 5 Amperes Continuous
- ◆ Contact Resistance: 10 Milliohms Maximum
- ◆ Dielectric Withstanding Voltage: 1800 V AC rms at Sea Level Between Adjacent Contacts
- ◆ Insulation Resistance: 5000 Megohms Minimum
- ◆ Operating Temperature: -65 to +105 Degrees C
- ◆ Insertion Force: 16 oz (4.45 N) Maximum per Contact Pair when Tested with a .070 (1.78) Thick Gauge
- ◆ Withdrawal Force: 1 oz (0.28 N) Minimum per Contact Pair when Tested with a .054 (1.37) Thick Gauge

Series	Insulator Colour	Card Slot Length
305	Green	Standard Length per MIL-C-21097
315	Green	.020 (0.51) Shorter than Standard
355	Black	Standard Length per MIL-C-21097

Total Number of Contacts <sup>1</sup>	Contact Rows
012, 014,...086	Dual Row

Contact Code <sup>2,3</sup>	Description & Tail Size	Tail Length "G"
500	Wire Hole .087 x .013 (2.21 x 0.33)	.282 (7.16)
520	P.C. Tail .046 x .013 (1.17 x 0.33)	.213 (5.41)
521	P.C. Tail .046 x .013 (1.17 x 0.33)	.125 (3.18)
555	Extender Board Bend (Code 500 Contacts)	
556	Extender Board Bend (Code 520 Contacts)	

Insulator Style <sup>4</sup>	Description
2	.295 (7.49) Card Slot Depth
5	.330 (8.38) Card Slot Depth

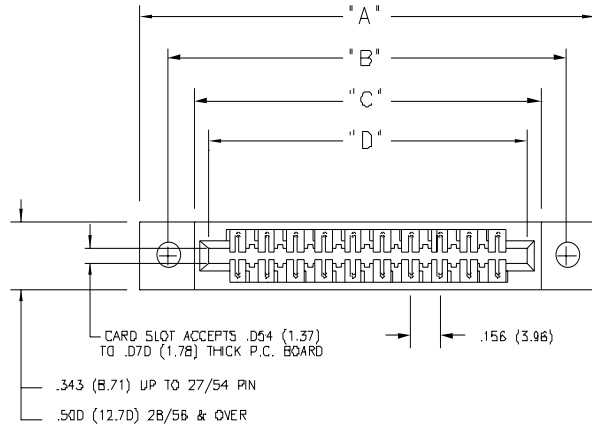
Mounting Options <sup>5</sup>	Description
01	No Mounting Lugs
02	.128 (3.25) Dia. Mounting Holes
03	.116 (2.95) I.D. Floating Eyelets
04	.156 (3.96) Dia. Mounting Holes
07	M3-0.5 Metric Threaded Inserts
08	#4-40 Unified Threaded Inserts
58	.468 (11.89) Offset Card Guides
68	.344 (8.74) Offset Card Guides
78	In-Line Card Guides

## Ordering Code Notes

- 1) All connector sizes up to 86 contacts dual row are available upon request.
- 2) Consult with Edac regarding single row configuration and wire wrap tail options.
- 3) For details of the extender board bends, refer to page 66.
- 4) Insulator style code 5 is available for the 305 and 355 series upon request.
- 5) For details of the mounting options, refer to page 68.

# CARD EDGE CONNECTOR SERIES 305/315/355

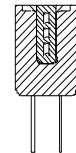
Contact Spacing .156" (3.96mm)



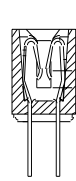
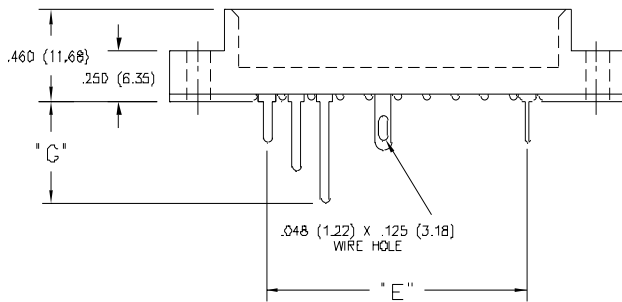
IN-CONTACT  
POLARIZING KEY  
P/N 307-240-328



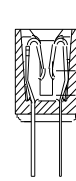
BETWEEN CONTACT  
POLARIZING KEY  
P/N 306-240-318



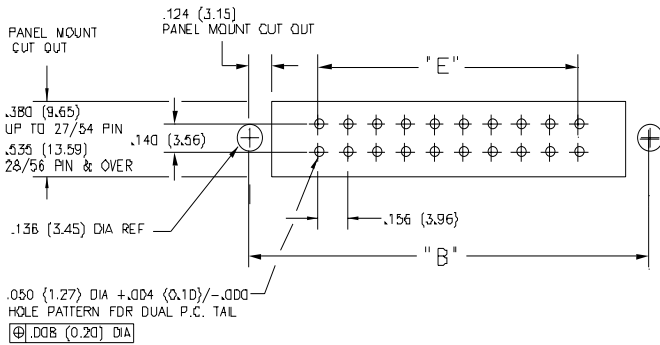
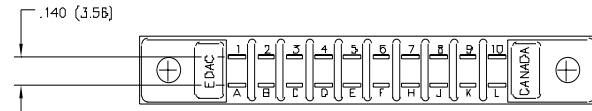
## SECTIONS THROUGH CONTACT POSITION



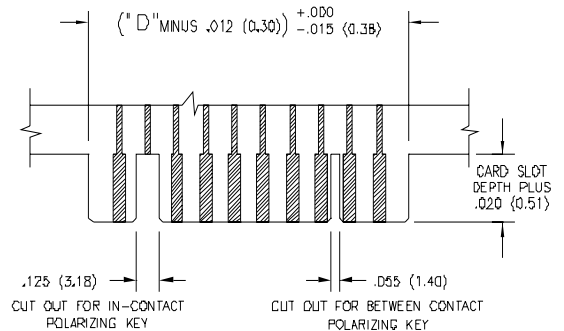
INSULATOR STYLE  
CODE 2



INSULATOR STYLE  
CODE 5



## CONNECTOR MOUNTING PATTERN



## RECOMMENDED DAUGHTER BOARD

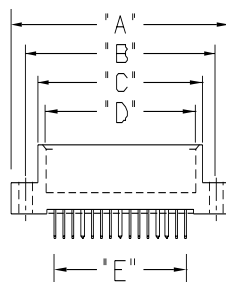
NUMBER OF CONTACTS	"A"		"B"		"C"		"D"		"E"			
	Inch	(mm)	Inch	(mm)	Inch	(mm)	305, 355	315	Inch	(mm)		
Dual							Inch	(mm)	Inch	(mm)		
12	1.842	(46.79)	1.532	(38.91)	1.246	(31.65)	1.100	(27.94)	1.080	(27.43)	.780	(19.81)
20	2.466	(62.64)	2.156	(54.76)	1.870	(47.50)	1.724	(43.79)	1.704	(43.28)	1.404	(35.66)
24	2.778	(70.56)	2.468	(62.69)	2.182	(55.42)	2.036	(51.71)	2.016	(51.21)	1.716	(43.59)
30	3.246	(82.45)	2.936	(74.57)	2.650	(67.31)	2.504	(63.60)	2.484	(63.09)	2.184	(55.47)
36	3.714	(94.34)	3.404	(86.46)	3.118	(79.20)	2.972	(75.49)	2.952	(74.98)	2.652	(67.36)
44	4.338	(110.19)	4.028	(102.31)	3.742	(95.05)	3.596	(91.34)	3.576	(90.83)	3.276	(83.21)
48	4.650	(118.11)	4.340	(110.24)	4.054	(102.97)	3.908	(99.26)	3.888	(98.76)	3.588	(91.14)
50	4.806	(122.07)	4.496	(114.20)	4.210	(106.93)	4.064	(103.23)	4.044	(102.72)	3.744	(95.10)
56	5.274	(133.96)	4.964	(126.09)	4.678	(118.82)	4.532	(115.11)	4.512	(114.60)	4.212	(106.98)
60	5.586	(141.88)	5.276	(134.01)	4.990	(126.75)	4.844	(123.04)	4.824	(122.53)	4.524	(114.91)
72	6.522	(166.66)	6.212	(157.78)	5.926	(150.52)	5.780	(146.81)	5.760	(146.30)	5.460	(138.68)
86	7.614	(193.40)	7.304	(185.52)	7.018	(178.26)	6.872	(174.55)	6.852	(174.04)	6.552	(166.42)

Dimensions of Other Connector Sizes are Listed on Page 74

# .156" (3.96mm) CONTACT SPACING CONNECTOR DIMENSIONS

303, 305, 306, 307, 315, 316, 317, 333, 336, 337, 355, 356, 357, 387, 737 Series Card Edge Connectors

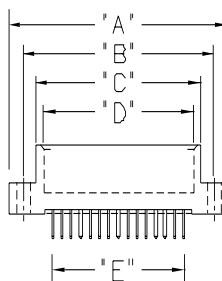
DIMENSION		"A"				"B"									
SERIES		317		333		336		REST OF SERIES		317		333, 336		REST OF SERIES	
Number of Contacts Single Dual		Inch	(mm)	Inch	(mm)	Inch	(mm)	Inch	(mm)	Inch	(mm)	Inch	(mm)	Inch	(mm)
	6	12	1.830	(46.48)	1.784	(45.31)	1.857	(47.17)	1.842	(46.79)	1.539	(39.09)	1.534	(38.96)	1.532
7	14	1.986	(50.44)	1.940	(49.28)	2.013	(51.13)	1.998	(50.75)	1.695	(43.05)	1.690	(42.93)	1.688	(42.88)
8	16	2.142	(54.41)	2.096	(53.24)	2.169	(55.09)	2.154	(54.71)	1.851	(47.02)	1.846	(46.89)	1.844	(46.84)
9	18	2.298	(58.37)	2.252	(57.20)	2.325	(59.06)	2.310	(58.67)	2.007	(50.98)	2.002	(50.85)	2.000	(50.80)
10	20	2.454	(62.33)	2.408	(61.16)	2.481	(63.02)	2.466	(62.64)	2.163	(54.94)	2.158	(54.81)	2.156	(54.76)
11	22	2.610	(66.29)	2.564	(65.13)	2.637	(66.98)	2.622	(66.60)	2.319	(58.90)	2.314	(58.78)	2.312	(58.72)
12	24	2.766	(70.26)	2.720	(69.09)	2.793	(70.94)	2.778	(70.56)	2.475	(62.87)	2.470	(62.74)	2.468	(62.69)
13	26	2.922	(74.22)	2.876	(73.05)	2.949	(74.90)	2.934	(74.52)	2.631	(66.83)	2.626	(66.70)	2.624	(66.65)
14	28	3.078	(78.18)	3.032	(77.01)	3.105	(78.87)	3.090	(78.49)	2.787	(70.79)	2.782	(70.66)	2.780	(70.61)
15	30	3.234	(82.14)	3.188	(80.98)	3.261	(82.83)	3.246	(82.45)	2.943	(74.75)	2.938	(74.63)	2.936	(74.57)
16	32	3.390	(86.11)	3.344	(84.94)	3.417	(86.79)	3.402	(86.41)	3.099	(78.71)	3.094	(78.59)	3.092	(78.54)
17	34	3.546	(90.07)	3.500	(88.90)	3.573	(90.75)	3.558	(90.37)	3.255	(82.68)	3.250	(82.55)	3.248	(82.50)
18	36	3.702	(94.03)	3.656	(92.86)	3.729	(94.72)	3.714	(94.34)	3.411	(86.64)	3.406	(86.51)	3.404	(86.46)
19	38	3.858	(97.99)	3.812	(96.82)	3.885	(98.68)	3.870	(98.30)	3.567	(90.60)	3.562	(90.47)	3.560	(90.42)
20	40	4.014	(101.96)	3.968	(100.79)	4.041	(102.64)	4.026	(102.26)	3.723	(94.56)	3.718	(94.44)	3.716	(94.39)
21	42	4.170	(105.92)	4.124	(104.75)	4.197	(106.60)	4.182	(106.22)	3.879	(98.53)	3.874	(98.40)	3.872	(98.35)
22	44	4.326	(109.88)	4.280	(108.71)	4.353	(110.57)	4.338	(110.19)	4.035	(102.49)	4.030	(102.36)	4.028	(102.31)
23	46	4.482	(113.84)	4.436	(112.67)	4.509	(114.53)	4.494	(114.15)	4.191	(106.45)	4.186	(106.32)	4.184	(106.27)
24	48	4.638	(117.81)	4.592	(116.64)	4.665	(118.49)	4.650	(118.11)	4.347	(110.41)	4.342	(110.29)	4.340	(110.24)
25	50	4.794	(121.77)	4.748	(120.60)	4.821	(122.45)	4.806	(122.07)	4.503	(114.38)	4.498	(114.25)	4.496	(114.20)
26	52	4.950	(125.73)	4.904	(124.56)	4.977	(126.42)	4.962	(126.03)	4.659	(118.34)	4.654	(118.21)	4.652	(118.16)
27	54	5.106	(129.69)	5.060	(128.52)	5.133	(130.38)	5.118	(130.00)	4.815	(122.30)	4.810	(122.17)	4.808	(122.12)
28	56	5.262	(133.65)	5.216	(132.49)	5.289	(134.34)	5.274	(133.96)	4.971	(126.26)	4.966	(126.14)	4.964	(126.09)
29	58	5.418	(137.62)	5.372	(136.45)	5.445	(138.30)	5.430	(137.92)	5.127	(130.23)	5.122	(130.10)	5.120	(130.05)
30	60	5.574	(141.58)	5.528	(140.41)	5.601	(142.27)	5.586	(141.88)	5.283	(134.19)	5.278	(134.06)	5.276	(134.01)
31	62	5.730	(145.54)	5.684	(144.37)	5.757	(146.23)	5.742	(145.85)	5.439	(138.15)	5.434	(138.02)	5.432	(137.97)
32	64	5.886	(149.50)	5.840	(148.34)	5.913	(150.19)	5.898	(149.81)	5.595	(142.11)	5.590	(141.99)	5.588	(141.94)
33	66	6.042	(153.47)	5.996	(152.30)	6.069	(154.15)	6.054	(153.77)	5.751	(146.08)	5.746	(145.95)	5.744	(145.90)
34	68	6.198	(157.43)	6.152	(156.26)	6.225	(158.12)	6.210	(157.73)	5.907	(150.04)	5.902	(149.91)	5.900	(149.86)
35	70	6.354	(161.39)	6.308	(160.22)	6.381	(162.08)	6.366	(161.70)	6.063	(154.00)	6.058	(153.87)	6.056	(153.82)
36	72	6.510	(165.35)	6.464	(164.19)	6.537	(166.04)	6.522	(165.66)	6.219	(157.96)	6.214	(157.84)	6.212	(157.78)
37	74	6.666	(169.32)	6.620	(168.15)	6.693	(170.00)	6.678	(169.62)	6.375	(161.93)	6.370	(161.80)	6.368	(161.75)
38	76	6.822	(173.28)	6.776	(172.11)	6.849	(173.96)	6.834	(173.58)	6.531	(165.89)	6.526	(165.76)	6.524	(165.71)
39	78	6.978	(177.24)	6.932	(176.07)	7.005	(177.93)	6.990	(177.55)	6.687	(169.85)	6.682	(169.72)	6.680	(169.67)
40	80	7.134	(181.20)	7.088	(180.04)	7.161	(181.89)	7.146	(181.51)	6.843	(173.81)	6.838	(173.69)	6.836	(173.63)
41	82	7.290	(185.17)	7.244	(184.00)	7.317	(185.85)	7.302	(185.47)	6.999	(177.77)	6.994	(177.65)	6.992	(177.60)
42	84	7.446	(189.13)	7.400	(187.96)	7.473	(189.81)	7.458	(189.43)	7.155	(181.74)	7.150	(181.61)	7.148	(181.56)
43	86	7.602	(193.09)	7.556	(191.92)	7.629	(193.78)	7.614	(193.40)	7.311	(185.70)	7.306	(185.57)	7.304	(185.52)
44	88							7.770	(197.36)					7.460	(189.48)



# CONNECTOR DIMENSIONS CONTACT SPACING .156" (3.96mm)

Card Edge Connector Series 303, 305, 306, 307, 315, 316, 317, 333, 336, 337, 355, 356, 357, 387, 737

DIMENSION		"C"				"D"				"E"	
SERIES	303, 317	333	336	REST OF SERIES	315, 316	REST OF SERIES	ALL SERIES				
Number of Contacts Single Dual	Inch (mm)	Inch (mm)	Inch (mm)	Inch (mm)	Inch (mm)	Inch (mm)	Inch (mm)	Inch (mm)	Inch (mm)	Inch (mm)	Inch (mm)
6 12	1.220 (30.99)	1.261 (32.03)	1.216 (30.89)	1.246 (31.65)	1.080 (27.43)	1.100 (27.94)	.780 (19.81)				
7 14	1.376 (34.95)	1.417 (35.99)	1.372 (34.85)	1.402 (35.61)	1.236 (31.39)	1.256 (31.90)	.936 (23.77)				
8 16	1.532 (38.91)	1.573 (39.95)	1.528 (38.81)	1.558 (39.57)	1.392 (35.36)	1.412 (35.86)	1.092 (27.74)				
9 18	1.688 (42.88)	1.729 (43.92)	1.684 (42.77)	1.714 (43.54)	1.548 (39.32)	1.568 (39.83)	1.248 (31.70)				
10 20	1.844 (46.84)	1.885 (47.88)	1.840 (46.74)	1.870 (47.50)	1.704 (43.28)	1.724 (43.79)	1.404 (35.66)				
11 22	2.000 (50.80)	2.041 (51.84)	1.996 (50.70)	2.026 (51.46)	1.860 (47.24)	1.880 (47.75)	1.560 (39.62)				
12 24	2.156 (54.76)	2.197 (55.80)	2.152 (54.66)	2.182 (55.42)	2.016 (51.21)	2.036 (51.71)	1.716 (43.59)				
13 26	2.312 (58.72)	2.353 (59.77)	2.308 (58.62)	2.338 (59.39)	2.172 (55.17)	2.192 (55.68)	1.872 (47.55)				
14 28	2.468 (62.69)	2.509 (63.73)	2.464 (62.59)	2.494 (63.35)	2.328 (59.13)	2.348 (59.64)	2.028 (51.51)				
15 30	2.624 (66.65)	2.665 (67.69)	2.620 (66.55)	2.650 (67.31)	2.484 (63.09)	2.504 (63.60)	2.184 (55.47)				
16 32	2.780 (70.61)	2.821 (71.65)	2.776 (70.51)	2.806 (71.27)	2.640 (67.06)	2.660 (67.56)	2.340 (59.44)				
17 34	2.936 (74.57)	2.977 (75.62)	2.932 (74.47)	2.962 (75.23)	2.796 (71.02)	2.816 (71.53)	2.496 (63.40)				
18 36	3.092 (78.54)	3.133 (79.58)	3.088 (78.44)	3.118 (79.20)	2.952 (74.98)	2.972 (75.49)	2.652 (67.36)				
19 38	3.248 (82.50)	3.289 (83.54)	3.244 (82.40)	3.274 (83.16)	3.108 (78.94)	3.128 (79.45)	2.808 (71.32)				
20 40	3.404 (86.46)	3.445 (87.50)	3.400 (86.36)	3.430 (87.12)	3.264 (82.91)	3.284 (83.41)	2.964 (75.29)				
21 42	3.560 (90.42)	3.601 (91.47)	3.556 (90.32)	3.586 (91.08)	3.420 (86.87)	3.440 (87.38)	3.120 (79.25)				
22 44	3.716 (94.39)	3.757 (95.43)	3.712 (94.28)	3.742 (95.05)	3.576 (90.83)	3.596 (91.34)	3.276 (83.21)				
23 46	3.872 (98.35)	3.913 (99.39)	3.868 (98.25)	3.898 (99.01)	3.732 (94.79)	3.752 (95.30)	3.432 (87.17)				
24 48	4.028 (102.31)	4.069 (103.35)	4.024 (102.21)	4.054 (102.97)	3.888 (98.76)	3.908 (99.26)	3.588 (91.14)				
25 50	4.184 (106.27)	4.225 (107.32)	4.180 (106.17)	4.210 (106.93)	4.044 (102.72)	4.064 (103.23)	3.744 (95.10)				
26 52	4.340 (110.24)	4.381 (111.28)	4.336 (110.13)	4.366 (110.90)	4.200 (106.68)	4.220 (107.19)	3.900 (99.06)				
27 54	4.496 (114.20)	4.537 (115.24)	4.492 (114.10)	4.522 (114.86)	4.356 (110.64)	4.376 (111.15)	4.056 (103.02)				
28 56	4.652 (118.16)	4.693 (119.20)	4.648 (118.06)	4.678 (118.82)	4.512 (114.60)	4.532 (115.11)	4.212 (106.98)				
29 58	4.808 (122.12)	4.849 (123.16)	4.804 (122.02)	4.834 (122.78)	4.668 (118.57)	4.688 (119.08)	4.368 (110.95)				
30 60	4.964 (126.09)	5.005 (127.13)	4.960 (125.98)	4.990 (126.75)	4.824 (122.53)	4.844 (123.04)	4.524 (114.91)				
31 62	5.120 (130.05)	5.161 (131.09)	5.116 (129.95)	5.146 (130.71)	4.980 (126.49)	5.000 (127.00)	4.680 (118.87)				
32 64	5.276 (134.01)	5.317 (135.05)	5.272 (133.91)	5.302 (134.67)	5.136 (130.45)	5.156 (130.96)	4.836 (122.83)				
33 66	5.432 (137.97)	5.473 (139.01)	5.428 (137.87)	5.458 (138.63)	5.292 (134.42)	5.312 (134.92)	4.992 (126.80)				
34 68	5.588 (141.94)	5.629 (142.98)	5.584 (141.83)	5.614 (142.60)	5.448 (138.38)	5.468 (138.89)	5.148 (130.76)				
35 70	5.744 (145.90)	5.785 (146.94)	5.740 (145.80)	5.770 (146.56)	5.604 (142.34)	5.624 (142.85)	5.304 (134.72)				
36 72	5.900 (149.86)	5.941 (150.90)	5.896 (149.76)	5.926 (150.52)	5.760 (146.30)	5.780 (146.81)	5.460 (138.68)				
37 74	6.056 (153.82)	6.097 (154.86)	6.052 (153.72)	6.082 (154.48)	5.916 (150.27)	5.936 (150.77)	5.616 (142.65)				
38 76	6.212 (157.78)	6.253 (158.83)	6.208 (157.68)	6.238 (158.45)	6.072 (154.23)	6.092 (154.74)	5.772 (146.61)				
39 78	6.368 (161.75)	6.409 (162.79)	6.364 (161.65)	6.394 (162.41)	6.228 (158.19)	6.248 (158.70)	5.928 (150.57)				
40 80	6.524 (165.71)	6.565 (166.75)	6.520 (165.61)	6.550 (166.37)	6.384 (162.15)	6.404 (162.66)	6.084 (154.53)				
41 82	6.680 (169.67)	6.721 (170.71)	6.676 (169.57)	6.706 (170.33)	6.540 (166.12)	6.560 (166.62)	6.240 (158.50)				
42 84	6.836 (173.63)	6.877 (174.68)	6.832 (173.53)	6.862 (174.29)	6.696 (170.08)	6.716 (170.59)	6.396 (162.46)				
43 86	6.992 (177.60)	7.033 (178.64)	6.988 (177.50)	7.018 (178.26)	6.852 (174.04)	6.872 (174.55)	6.552 (166.42)				
44 88				7.174 (182.22)		7.028 (178.51)	6.708 (170.38)				



# MOUNTING OPTIONS - CARD EDGE CONNECTORS

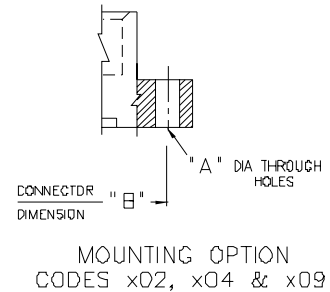
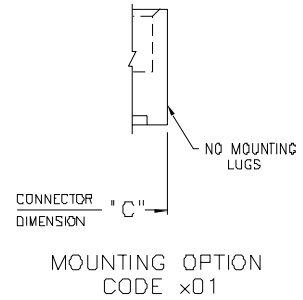
## Standard Mounting Details

### CODE x01 - NO MOUNTING LUGS

- Applicable for 303, 305, 306, 307, 310, 315, 316, 317, 321, 325, 327, 333, 336, 337, 338, 340, 341, 342, 345, 346, 355, 356, 357, 379, 384, 387, 391, 392, 395 and 396 Series

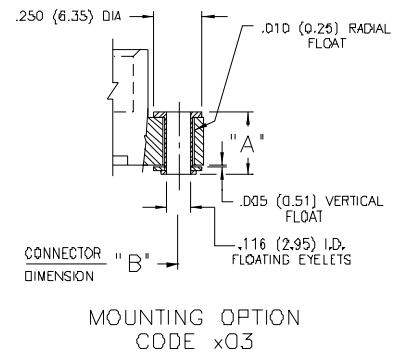
### CODE x02, x04 & x09 - THROUGH MOUNTING HOLES

Applicable Series	Code x02 "A" Dia.	Code x04 "A" Dia.	Code x09 "A" Dia.
303, 305, 306, 307, 310, 315, 316, 321, 333, 337, 338, 340, 341, 345, 346, 355, 356, 357, 379, 384, 387, 391, 395, 396	.128 (3.25)	.156 (3.96)	—
317, 323	.144 (3.66)	.156 (3.96)	—
325	—	—	.160 (4.06)
327	—	—	.163 (4.14)
336	.128 (3.25)	.156 (3.96)	.178 (4.52)
342, 392	.128(3.25) x .146 (3.71) Slot	.156 (3.96)	—



### CODE x03 - FLOATING EYELETS

Applicable Series	"A"
303, 305, 306, 307, 310, 315, 316, 317, 321, 323, 333, 336, 337, 338, 341, 345, 346, 355, 356, 357, 379, 384, 387, 391, 395, 396	.328 (8.33)
342, 392	.348 (8.84)

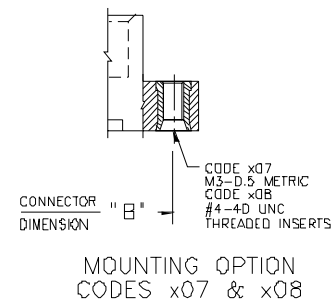


### CODE x07 & x08 - THREADED INSERTS

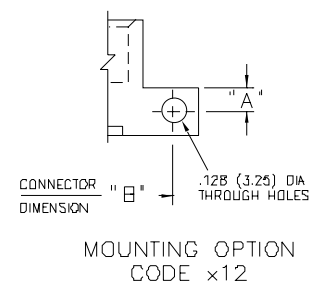
- Applicable for 303, 305, 306, 307, 310, 315, 316, 317, 321, 323, 325, 333, 336, 337, 338, 341, 342, 345, 346, 356, 357, 379, 384, 387, 391, 392, 395 and 396 Series
- See Code x12 for Side Mounting Threaded Inserts

### CODE x12 - SIDE MOUNTING HOLES

Applicable Series	"A"
307, 333, 337, 345, 346, 357, 387, 395, 396	.125 (3.18)
342, 392	.135 (3.43)



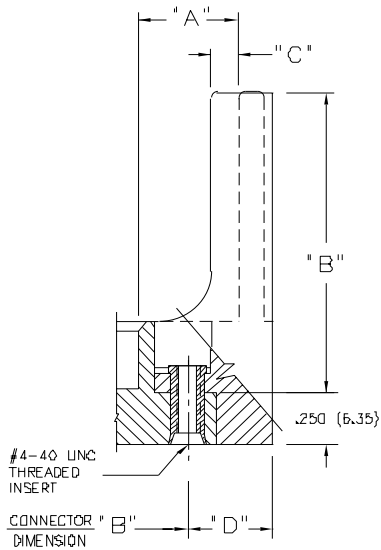
- Series Listed Above based on Availability of 90 Degree Bend Contact Tails. Side Mounting Holes may also be Used for Other Card Edge Connectors with a Lug Height of .250 (6.35) or Greater.
- For Side Mounting with Threaded Inserts, Specify Code x17 for M3-0.5 Metric Threads or Code x18 for #4-40 Unified Threads.



# CARD EDGE CONNECTORS - MOUNTING OPTIONS

Standard Mounting Details

## CODE x58 & x68 - OFFSET CARD GUIDES

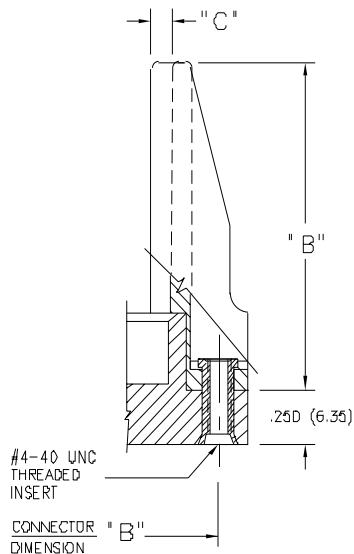


MOUNTING OPTION  
CODES x58 & x68

Applicable Series for Code x58 Guides	"A"	"B"	"C"	"D"
305, 306, 307, 315, 316, 337, 338, 355, 356, 357, 387	.468(11.89)	2.755(69.98)	.125(3.18)	.423(10.74)
345, 395	.468(11.89)	2.755(69.98)	.120(3.05)	.402(10.21)
346, 396	.468(11.89)	2.755(69.98)	.120(3.05)	.398(10.11)
Applicable Series for Code x68 Guides	"A"	"B"	"C"	"D"
305, 306, 307, 315, 316, 337, 338, 355, 356, 357, 387	.344(8.74)	2.505(63.63)	.060(1.52)	.242(6.15)

- For Card Guides with .128 (3.25) Dia. Through Hole Inserts, Specify Code x52 or x62.
- For Card Guides with M3-0.5 Metric Threaded Inserts, Specify Code x57 or x67.
- For Field Assembly of Card Guides, Refer to Page 71.

## CODE x78 & x88 - IN-LINE CARD GUIDES



MOUNTING OPTION  
CODES x78 & x88

Applicable Series for Code x78 Guides	"B"	"C"
305, 306, 307, 315, 316, 337, 338, 355, 356, 357, 387	1.550(39.37)	.090(2.29)
317	1.712(43.48)	.110(2.79)
345, 395	2.750(69.85)	.083(2.11)
346, 396	2.750(69.85)	.091(2.31)
Applicable Series for Code x88 Guides	"B"	"C"
345, 395	1.250(31.75)	.083(2.11)

- In-Line Card Guides are Not Suitable for the Flush Mounting Lug Versions of 337, 387, 346 or 396 Series
- For Card Guides with .128 (3.25) Dia. Through Hole Inserts, Specify Code x72 or x82.
- For Card Guides with M3-0.5 Metric Threaded Inserts, Specify Code x77 or x87
- For Field Assembly of Card Guides, Refer to Page 71.