

Feed-through terminal block - UT 2,5/1P - 3045017

Please be informed that the data shown in this PDF Document is generated from our Online Catalog. Please find the complete data in the user's documentation. Our General Terms of Use for Downloads are valid (<http://phoenixcontact.com/download>)




Feed-through terminal block, nom. voltage: 500 V, nominal current: 24 A, connection method: Screw/plug-in connection, number of connections: 2, cross section: 0.14 mm² - 4 mm², AWG: 26 - 12, width: 5.2 mm, color: gray, mounting type: NS 35/7,5, NS 35/15

Your advantages

- Terminal blocks that can be connected on both sides available
- Compatible with standard UT terminal blocks
- Uniform, touch-proof plug-in zone



Key Commercial Data

Packing unit	1 pc
Minimum order quantity	50 pc
GTIN	 4 017918 975357
GTIN	4017918975357
Weight per Piece (excluding packing)	7.200 g
Custom tariff number	85369010
Country of origin	Germany

Technical data

General

Number of levels	1
Number of connections	2
Potentials	1
Nominal cross section	2.5 mm ²
Color	gray
Insulating material	PA

Feed-through terminal block - UT 2,5/1P - 3045017

Technical data

General

Flammability rating according to UL 94	V0
Rated surge voltage	6 kV
Degree of pollution	3
Overvoltage category	III
Insulating material group	I
Maximum power dissipation for nominal condition	0.77 W
Designation	Level 1 above 1 below 1
Maximum load current	24 A (with 4 mm ² conductor cross section)
Nominal current I _N	24 A
Nominal voltage U _N	500 V
Open side panel	Yes
Relative insulation material temperature index (Elec., UL 746 B)	130 °C
Temperature index of insulation material (DIN EN 60216-1 (VDE 0304-21))	125 °C
Static insulating material application in cold	-60 °C
Behavior in fire for rail vehicles (DIN 5510-2)	Test passed
Flame test method (DIN EN 60695-11-10)	V0
Oxygen index (DIN EN ISO 4589-2)	>32 %
NF F16-101, NF F10-102 Class I	2
NF F16-101, NF F10-102 Class F	2
Surface flammability NFPA 130 (ASTM E 162)	passed
Specific optical density of smoke NFPA 130 (ASTM E 662)	passed
Smoke gas toxicity NFPA 130 (SMP 800C)	passed
Calorimetric heat release NFPA 130 (ASTM E 1354)	27,5 MJ/kg
Fire protection for rail vehicles (DIN EN 45545-2) R22	HL 1 - HL 3
Fire protection for rail vehicles (DIN EN 45545-2) R23	HL 1 - HL 3
Fire protection for rail vehicles (DIN EN 45545-2) R24	HL 1 - HL 3
Fire protection for rail vehicles (DIN EN 45545-2) R26	HL 1 - HL 3

Dimensions

Width	5.2 mm
End cover width	2.2 mm
Length	49.1 mm
Height NS 35/7,5	47.5 mm
Height NS 35/15	55 mm

Connection data

Connection method	Screw/plug-in connection
Screw thread	M3

Feed-through terminal block - UT 2,5/1P - 3045017

Technical data

Connection data

Stripping length	9 mm
Tightening torque, min	0.5 Nm
Tightening torque max	0.6 Nm
Connection in acc. with standard	IEC 61984
Conductor cross section solid min.	0.14 mm ²
Conductor cross section solid max.	4 mm ²
Conductor cross section AWG min.	26
Conductor cross section AWG max.	12
Conductor cross section flexible min.	0.14 mm ²
Conductor cross section flexible max.	4 mm ²
Min. AWG conductor cross section, flexible	26
Max. AWG conductor cross section, flexible	12
Conductor cross section flexible, with ferrule without plastic sleeve min.	0.14 mm ²
Conductor cross section flexible, with ferrule without plastic sleeve max.	2.5 mm ²
Conductor cross section flexible, with ferrule with plastic sleeve min.	0.14 mm ²
Conductor cross section flexible, with ferrule with plastic sleeve max.	2.5 mm ²
2 conductors with same cross section, solid min.	0.14 mm ²
2 conductors with same cross section, solid max.	1.5 mm ²
2 conductors with same cross section, stranded min.	0.14 mm ²
2 conductors with same cross section, stranded max.	1.5 mm ²
2 conductors with same cross section, stranded, TWIN ferrules with plastic sleeve, min.	0.5 mm ²
2 conductors with same cross section, stranded, TWIN ferrules with plastic sleeve, max.	1.5 mm ²
2 conductors with same cross section, stranded, ferrules without plastic sleeve, min.	0.14 mm ²
2 conductors with same cross section, stranded, ferrules without plastic sleeve, max.	1.5 mm ²
Internal cylindrical gage	A3

Standards and Regulations

Connection in acc. with standard	CSA
	IEC 61984
Flammability rating according to UL 94	V0
Fire protection for rail vehicles (DIN EN 45545-2) R22	HL 1 - HL 3
Fire protection for rail vehicles (DIN EN 45545-2) R23	HL 1 - HL 3
Fire protection for rail vehicles (DIN EN 45545-2) R24	HL 1 - HL 3
Fire protection for rail vehicles (DIN EN 45545-2) R26	HL 1 - HL 3

Environmental Product Compliance

Feed-through terminal block - UT 2,5/1P - 3045017

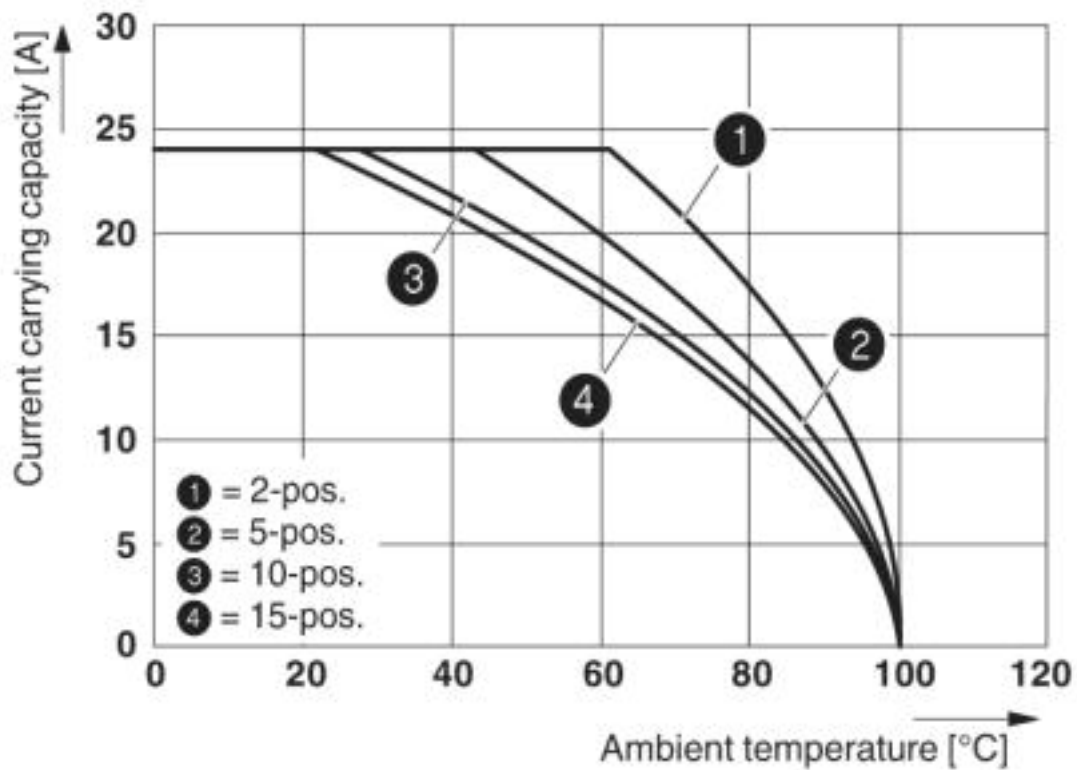
Technical data

Environmental Product Compliance

	Lead 7439-92-1
China RoHS	Environmentally Friendly Use Period = 50
	For details about hazardous substances go to tab "Downloads", Category "Manufacturer's declaration"

Drawings

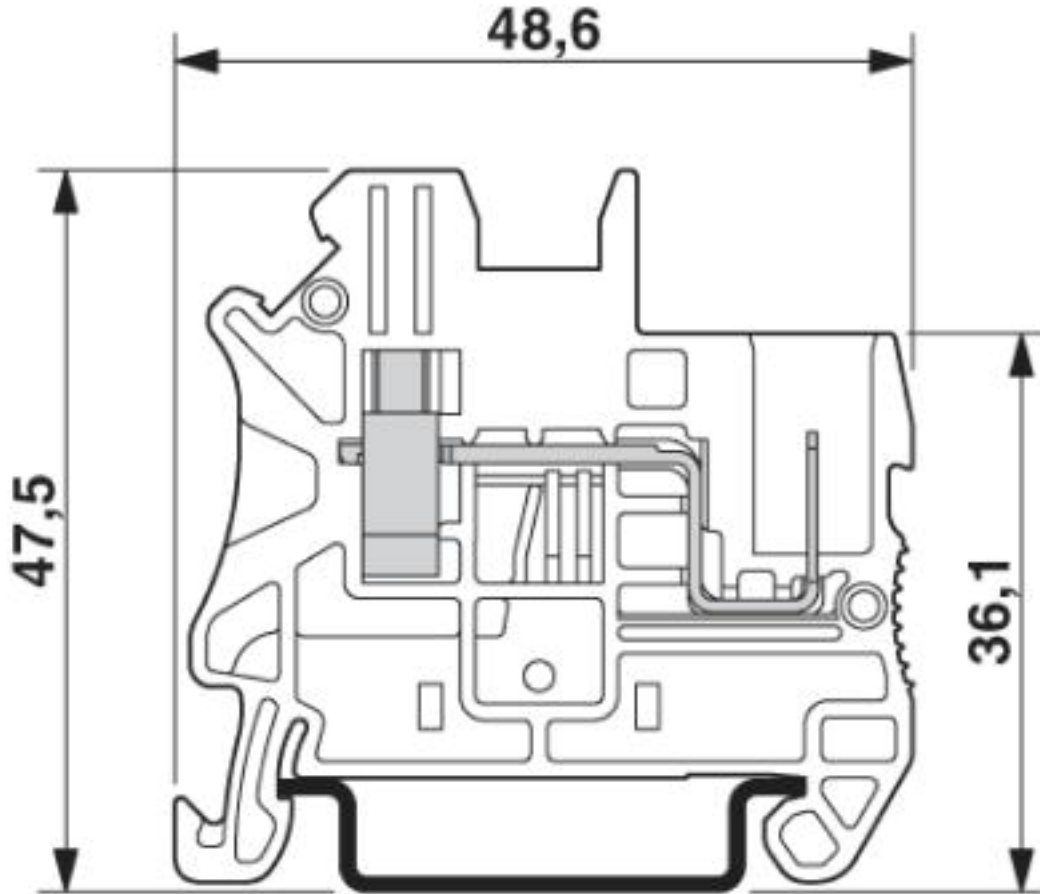
Diagram



The figure shows the derating curve of the UT 2,5/1P... terminal block in connection with the UPBV 2,5 plug

Feed-through terminal block - UT 2,5/1P - 3045017

Dimensional drawing



Circuit diagram



Feed-through terminal block - UT 2,5/1P - 3045017

Classifications

eCl@ss

eCl@ss 4.0	27141100
eCl@ss 4.1	27141100
eCl@ss 5.0	27141100
eCl@ss 5.1	27141100
eCl@ss 6.0	27141100
eCl@ss 7.0	27141120
eCl@ss 8.0	27141120
eCl@ss 9.0	27141120

ETIM

ETIM 2.0	EC000897
ETIM 3.0	EC000897
ETIM 4.0	EC000897
ETIM 5.0	EC000897
ETIM 6.0	EC000897
ETIM 7.0	EC000897

UNSPSC

UNSPSC 6.01	30211811
UNSPSC 7.0901	39121410
UNSPSC 11	39121410
UNSPSC 12.01	39121410
UNSPSC 13.2	39121410

Approvals

Approvals

Approvals

CSA / UL Recognized / cUL Recognized / EAC / cULus Recognized

Ex Approvals

Approval details

Feed-through terminal block - UT 2,5/1P - 3045017

Approvals

CSA		http://www.csagroup.org/services-industries/product-listing/	13631
	B	C	
Nominal voltage UN	300 V	300 V	
Nominal current IN	20 A	20 A	
mm ² /AWG/kcmil	26-12	26-12	

UL Recognized		http://database.ul.com/cgi-bin/XYV/template/LISEXT/1FRAME/index.htm	FILE E 60425
Nominal voltage UN	300 V		
Nominal current IN	20 A		
mm ² /AWG/kcmil	26-12		

cUL Recognized		http://database.ul.com/cgi-bin/XYV/template/LISEXT/1FRAME/index.htm	FILE E 60425
Nominal voltage UN	300 V		
Nominal current IN	20 A		
mm ² /AWG/kcmil	26-12		

EAC		RU C- DE.A*30.B.01742
-----	--	--------------------------

cULus Recognized	
------------------	--

Accessories

Accessories

Coding element

Feed-through terminal block - UT 2,5/1P - 3045017

Accessories

Coding star - PC - 3040588



Coding star, length: 3 mm, width: 3 mm, height: 6 mm, color: red

Component plug terminal block

Component connector - P-CO 2-5 R47K - 3032447



Component connector, with 47 kOhm resistor for open circuit monitoring, pitch: 5.2 mm, length: 8.9 mm, width: 4.1 mm, height: 34.8 mm, number of positions: 2, color: black

DIN rail

DIN rail perforated - NS 35/ 7,5 PERF 2000MM - 0801733



DIN rail perforated, Standard profile, width: 35 mm, height: 7.5 mm, acc. to EN 60715, material: Steel, galvanized, passivated with a thick layer, length: 2000 mm, color: silver

DIN rail, unperforated - NS 35/ 7,5 UNPERF 2000MM - 0801681



DIN rail, unperforated, Standard profile, width: 35 mm, height: 7.5 mm, acc. to EN 60715, material: Steel, galvanized, passivated with a thick layer, length: 2000 mm, color: silver

DIN rail perforated - NS 35/ 7,5 WH PERF 2000MM - 1204119



DIN rail perforated, Standard profile, width: 35 mm, height: 7.5 mm, acc. to EN 60715, material: Steel, Galvanized, white passivated, length: 2000 mm, color: silver

Feed-through terminal block - UT 2,5/1P - 3045017

Accessories

DIN rail, unperforated - NS 35/ 7,5 WH UNPERF 2000MM - 1204122



DIN rail, unperforated, Standard profile, width: 35 mm, height: 7.5 mm, acc. to EN 60715, material: Steel, Galvanized, white passivated, length: 2000 mm, color: silver

DIN rail, unperforated - NS 35/ 7,5 AL UNPERF 2000MM - 0801704



DIN rail, unperforated, Standard profile, width: 35 mm, height: 7.5 mm, acc. to EN 60715, material: Aluminum, uncoated, length: 2000 mm, color: silver

DIN rail perforated - NS 35/ 7,5 ZN PERF 2000MM - 1206421



DIN rail perforated, Standard profile, width: 35 mm, height: 7.5 mm, acc. to EN 60715, material: Steel, galvanized, length: 2000 mm, color: silver

DIN rail, unperforated - NS 35/ 7,5 ZN UNPERF 2000MM - 1206434



DIN rail, unperforated, Standard profile, width: 35 mm, height: 7.5 mm, acc. to EN 60715, material: Steel, galvanized, length: 2000 mm, color: silver

DIN rail, unperforated - NS 35/ 7,5 CU UNPERF 2000MM - 0801762



DIN rail, unperforated, Standard profile, width: 35 mm, height: 7.5 mm, acc. to EN 60715, material: Copper, uncoated, length: 2000 mm, color: copper-colored

Feed-through terminal block - UT 2,5/1P - 3045017

Accessories

End cap - NS 35/ 7,5 CAP - 1206560

DIN rail end piece, for DIN rail NS 35/7.5



DIN rail perforated - NS 35/15 PERF 2000MM - 1201730



DIN rail perforated, Standard profile, width: 35 mm, height: 15 mm, similar to EN 60715, material: Steel, galvanized, passivated with a thick layer, length: 2000 mm, color: silver

DIN rail, unperforated - NS 35/15 UNPERF 2000MM - 1201714



DIN rail, unperforated, Standard profile, width: 35 mm, height: 15 mm, similar to EN 60715, material: Steel, galvanized, passivated with a thick layer, length: 2000 mm, color: silver

DIN rail perforated - NS 35/15 WH PERF 2000MM - 0806602



DIN rail perforated, Standard profile, width: 35 mm, height: 15 mm, similar to EN 60715, material: Steel, Galvanized, white passivated, length: 2000 mm, color: silver

DIN rail, unperforated - NS 35/15 WH UNPERF 2000MM - 1204135



DIN rail, unperforated, Standard profile, width: 35 mm, height: 15 mm, similar to EN 60715, material: Steel, Galvanized, white passivated, length: 2000 mm, color: silver

Feed-through terminal block - UT 2,5/1P - 3045017

Accessories

DIN rail, unperforated - NS 35/15 AL UNPERF 2000MM - 1201756



DIN rail, unperforated, Standard profile, width: 35 mm, height: 15 mm, similar to EN 60715, material: Aluminum, uncoated, length: 2000 mm, color: silver

DIN rail perforated - NS 35/15 ZN PERF 2000MM - 1206599



DIN rail perforated, Standard profile, width: 35 mm, height: 15 mm, similar to EN 60715, material: Steel, galvanized, length: 2000 mm, color: silver

DIN rail, unperforated - NS 35/15 ZN UNPERF 2000MM - 1206586



DIN rail, unperforated, Standard profile, width: 35 mm, height: 15 mm, similar to EN 60715, material: Steel, galvanized, length: 2000 mm, color: silver

DIN rail, unperforated - NS 35/15 CU UNPERF 2000MM - 1201895



DIN rail, unperforated, Standard profile, width: 35 mm, height: 15 mm, similar to EN 60715, material: Copper, uncoated, length: 2000 mm, color: copper-colored

End cap - NS 35/15 CAP - 1206573



DIN rail end piece, for DIN rail NS 35/15

Feed-through terminal block - UT 2,5/1P - 3045017

Accessories

DIN rail, unperforated - NS 35/15-2,3 UNPERF 2000MM - 1201798



DIN rail, unperforated, Standard profile 2.3 mm, width: 35 mm, height: 15 mm, acc. to EN 60715, material: Steel, galvanized, passivated with a thick layer, length: 2000 mm, color: silver

End block

End clamp - CLIPFIX 35 - 3022218



Quick mounting end clamp for NS 35/7,5 DIN rail or NS 35/15 DIN rail, with marking option, width: 9.5 mm, color: gray

End clamp - CLIPFIX 35-5 - 3022276



Quick mounting end clamp for NS 35/7,5 DIN rail or NS 35/15 DIN rail, with marking option, with parking option for FBS...5, FBS...6, KSS 5, KSS 6, width: 5.15 mm, color: gray

End clamp - E/NS 35 N - 0800886



End clamp, width: 9.5 mm, color: gray

End cover

End cover - D-UT 2,5/1P - 3047154



End cover, length: 47.6 mm, width: 2.2 mm, height: 39.8 mm, color: gray

Feed-through terminal block - UT 2,5/1P - 3045017

Accessories

Flange

Screw flange - UT 2,5/1P-F - 3060445



Screw flange, for screwing COMBI plugs, with the same structure and pitch as the relevant COMBI terminal blocks

Front adapter

Front adapters - VIP-PA-PWR/2X10COMBI/ 0,5M/S7 - 2904713



VIP power cabling, universal front adapter for connecting all common 20-pos. SIMATIC S7-300 I/O modules, via two cables each with a 10-pos. COMBI connector, pitch: 5.2 mm, cable length: 0.5 m

Front adapters - VIP-PA-PWR/2X10COMBI/ 1,0M/S7 - 2904714



VIP power cabling, universal front adapter for connecting all common 20-pos. SIMATIC S7-300 I/O modules, via two cables each with a 10-pos. COMBI connector, pitch: 5.2 mm, cable length: 1 m

Front adapters - VIP-PA-PWR/2X10COMBI/ 1,5M/S7 - 2904715



VIP power cabling, universal front adapter for connecting all common 20-pos. SIMATIC S7-300 I/O modules, via two cables each with a 10-pos. COMBI connector, pitch: 5.2 mm, cable length: 1.5 m

Feed-through terminal block - UT 2,5/1P - 3045017

Accessories

Front adapters - VIP-PA-PWR/2X10COMBI/ 2,0M/S7 - 2904716



VIP power cabling, universal front adapter for connecting all common 20-pos. SIMATIC S7-300 I/O modules, via two cables each with a 10-pos. COMBI connector, pitch: 5.2 mm, cable length: 2 m

Front adapters - VIP-PA-PWR/2X10COMBI/ 2,5M/S7 - 2904717



VIP power cabling, universal front adapter for connecting all common 20-pos. SIMATIC S7-300 I/O modules, via two cables each with a 10-pos. COMBI connector, pitch: 5.2 mm, cable length: 2.5 m

Front adapters - VIP-PA-PWR/2X10COMBI/ 3,0M/S7 - 2904718



VIP power cabling, universal front adapter for connecting all common 20-pos. SIMATIC S7-300 I/O modules, via two cables each with a 10-pos. COMBI connector, pitch: 5.2 mm, cable length: 3 m

Front adapters - VIP-PA-PWR/2X10COMBI/10,0M/S7 - 2904723



VIP power cabling, universal front adapter for connecting all common 20-pos. SIMATIC S7-300 I/O modules, via two cables each with a 10-pos. COMBI connector, pitch: 5.2 mm, cable length: 10 m

Front adapters - VIP-PA-PWR/4X10COMBI/ 0,5M/S7 - 2904702



VIP power cabling, universal front adapter for connecting all common 40-pos. SIMATIC S7-300 I/O modules, via four cables each with a 10-pos. COMBI connector, pitch: 5.2 mm, cable length: 0.5 m

Feed-through terminal block - UT 2,5/1P - 3045017

Accessories

Front adapters - VIP-PA-PWR/4X10COMBI/ 1,0M/S7 - 2904703



VIP power cabling, universal front adapter for connecting all common 40-pos. SIMATIC S7-300 I/O modules, via four cables each with a 10-pos. COMBI connector, pitch: 5.2 mm, cable length: 1 m

Front adapters - VIP-PA-PWR/4X10COMBI/ 1,5M/S7 - 2904704



VIP power cabling, universal front adapter for connecting all common 40-pos. SIMATIC S7-300 I/O modules, via four cables each with a 10-pos. COMBI connector, pitch: 5.2 mm, cable length: 1.5 m

Front adapters - VIP-PA-PWR/4X10COMBI/ 2,0M/S7 - 2904705



VIP power cabling, universal front adapter for connecting all common 40-pos. SIMATIC S7-300 I/O modules, via four cables each with a 10-pos. COMBI connector, pitch: 5.2 mm, cable length: 2 m

Front adapters - VIP-PA-PWR/4X10COMBI/ 2,5M/S7 - 2904706



VIP power cabling, universal front adapter for connecting all common 40-pos. SIMATIC S7-300 I/O modules, via four cables each with a 10-pos. COMBI connector, pitch: 5.2 mm, cable length: 2.5 m

Front adapters - VIP-PA-PWR/4X10COMBI/ 3,0M/S7 - 2904707



VIP power cabling, universal front adapter for connecting all common 40-pos. SIMATIC S7-300 I/O modules, via four cables each with a 10-pos. COMBI connector, pitch: 5.2 mm, cable length: 3 m

Feed-through terminal block - UT 2,5/1P - 3045017

Accessories

Front adapters - VIP-PA-PWR/4X10COMBI/10,0M/S7 - 2904712



VIP power cabling, universal front adapter for connecting all common 40-pos. SIMATIC S7-300 I/O modules, via four cables each with a 10-pos. COMBI connector, pitch: 5.2 mm, cable length: 10 m

Insulating sleeve

Insulating sleeve - MPS-IH WH - 0201663

Insulating sleeve, color: white



Insulating sleeve - MPS-IH RD - 0201676

Insulating sleeve, color: red



Insulating sleeve - MPS-IH BU - 0201689

Insulating sleeve, color: blue



Insulating sleeve - MPS-IH YE - 0201692

Insulating sleeve, color: yellow



Feed-through terminal block - UT 2,5/1P - 3045017

Accessories

Insulating sleeve - MPS-IH GN - 0201702

Insulating sleeve, color: green



Insulating sleeve - MPS-IH GY - 0201728

Insulating sleeve, color: gray



Insulating sleeve - MPS-IH BK - 0201731

Insulating sleeve, color: black



Jumper

Plug-in bridge - FBS 2-5 - 3030161



Plug-in bridge, pitch: 5.2 mm, length: 22.7 mm, width: 9 mm, number of positions: 2, color: red

Plug-in bridge - FBS 3-5 - 3030174



Plug-in bridge, pitch: 5.2 mm, length: 22.7 mm, width: 14.2 mm, number of positions: 3, color: red

Feed-through terminal block - UT 2,5/1P - 3045017

Accessories

Plug-in bridge - FBS 4-5 - 3030187



Plug-in bridge, pitch: 5.2 mm, length: 22.7 mm, width: 19.4 mm, number of positions: 4, color: red

Plug-in bridge - FBS 5-5 - 3030190



Plug-in bridge, pitch: 5.2 mm, length: 22.7 mm, width: 24.6 mm, number of positions: 5, color: red

Plug-in bridge - FBS 10-5 - 3030213



Plug-in bridge, pitch: 5.2 mm, length: 22.7 mm, width: 50.6 mm, number of positions: 10, color: red

Plug-in bridge - FBS 20-5 - 3030226



Plug-in bridge, pitch: 5.2 mm, number of positions: 20, color: red

Plug-in bridge - FBS 50-5 - 3038930



Plug-in bridge, pitch: 5.2 mm, number of positions: 50, color: red

Feed-through terminal block - UT 2,5/1P - 3045017

Accessories

Plug-in bridge - FBSR 2-5 - 3033702



Plug-in bridge, pitch: 5.2 mm, number of positions: 2, color: red

Plug-in bridge - FBSR 3-5 - 3001591



Plug-in bridge, pitch: 5.2 mm, number of positions: 3, color: red

Plug-in bridge - FBSR 4-5 - 3001592



Plug-in bridge, pitch: 5.2 mm, number of positions: 4, color: red

Plug-in bridge - FBSR 5-5 - 3001593



Plug-in bridge, pitch: 5.2 mm, number of positions: 5, color: red

Plug-in bridge - FBSR 10-5 - 3033710



Plug-in bridge, pitch: 5.2 mm, number of positions: 10, color: red

Feed-through terminal block - UT 2,5/1P - 3045017

Accessories

Plug-in bridge - FBS 2-5 BU - 3036877



Plug-in bridge, pitch: 5.2 mm, number of positions: 2, color: blue

Plug-in bridge - FBS 3-5 BU - 3036880



Plug-in bridge, pitch: 5.2 mm, number of positions: 3, color: blue

Plug-in bridge - FBS 4-5 BU - 3036893



Plug-in bridge, pitch: 5.2 mm, number of positions: 4, color: blue

Plug-in bridge - FBS 5-5 BU - 3036903



Plug-in bridge, pitch: 5.2 mm, number of positions: 5, color: blue

Plug-in bridge - FBS 10-5 BU - 3036916



Plug-in bridge, pitch: 5.2 mm, number of positions: 10, color: blue

Feed-through terminal block - UT 2,5/1P - 3045017

Accessories

Plug-in bridge - FBS 20-5 BU - 3036929



Plug-in bridge, pitch: 5.2 mm, number of positions: 20, color: blue

Plug-in bridge - FBS 50-5 BU - 3032114



Plug-in bridge, pitch: 5.2 mm, number of positions: 50, color: blue

Labeled terminal marker

Zack marker strip - ZB 5 CUS - 0824962



Zack marker strip, can be ordered: Strip, white, labeled according to customer specifications, mounting type: snap into tall marker groove, for terminal block width: 5.2 mm, lettering field size: 5.15 x 10.5 mm, Number of individual labels: 10

Zack marker strip - ZB 5,LGS:FORTL.ZAHLEN - 1050017



Zack marker strip, Strip, white, labeled, printed horizontally: consecutive numbers 1 ... 10, 11 ... 20, etc. up to 491 ... 500, mounting type: snap into tall marker groove, for terminal block width: 5.2 mm, lettering field size: 5.15 x 10.5 mm, Number of individual labels: 10

Zack marker strip - ZB 5,QR:FORTL.ZAHLEN - 1050020



Zack marker strip, white, Printed vertically: consecutive numbers 1 ... 10, 11 ... 20, etc. up to 491 ... 500, mounting type: snap into tall marker groove, for terminal block width: 5.2 mm, lettering field size: 5.15 x 10.5 mm

Feed-through terminal block - UT 2,5/1P - 3045017

Accessories

Zack marker strip - ZB 5,LGS:GLEICHE ZAHLEN - 1050033



Zack marker strip, Strip, white, labeled, can be labeled with: CMS-P1-PLOTTER, printed horizontally: Identical numbers 1 or 2, etc. up to 100, mounting type: snap into tall marker groove, for terminal block width: 5.2 mm, lettering field size: 5.15 x 10.5 mm, Number of individual labels: 10

Zack marker strip - ZB 5,LGS:L1-N,PE - 1050415



Zack marker strip, Strip, white, labeled, Horizontal: L1, L2, L3, N, PE, L1, L2, L3, N, PE, mounting type: snap into tall marker groove, for terminal block width: 5.2 mm, lettering field size: 5.15 x 10.5 mm, Number of individual labels: 10

Marker for terminal blocks - UC-TM 5 CUS - 0824581



Marker for terminal blocks, can be ordered: by sheet, white, labeled according to customer specifications, mounting type: snap into tall marker groove, for terminal block width: 5.2 mm, lettering field size: 10.5 x 4.6 mm, Number of individual labels: 96

Marker for terminal blocks - UCT-TM 5 CUS - 0829595



Marker for terminal blocks, can be ordered: by sheet, white, labeled according to customer specifications, mounting type: snap into tall marker groove, for terminal block width: 5.2 mm, lettering field size: 4.6 x 10.5 mm, Number of individual labels: 72

Marker pen

Marker pen - X-PEN 0,35 - 0811228



Marker pen without ink cartridge, for manual labeling of markers, labeling extremely wipe-proof, line thickness 0.35 mm

Feed-through terminal block - UT 2,5/1P - 3045017

Accessories

Partition plate

Partition plate - ATP-UT - 3047167



Partition plate, length: 50 mm, width: 2.2 mm, height: 48 mm, color: gray

Spacer plate - DP PS-5 - 3036725



Spacer plate, length: 22.4 mm, width: 5.2 mm, height: 29 mm, number of positions: 1, color: red

Reducing bridge

Reducing bridge - RB UT 10-(2,5/4) - 3047060



Reducing bridge, pitch: 10.2 mm, length: 29.3 mm, width: 15.1 mm, number of positions: 2, color: red

Screwdriver tools

Screwdriver - SZS 0,6X3,5 - 1205053



Actuation tool, for ST terminal blocks, insulated, also suitable for use as a bladed screwdriver, size: 0.6 x 3.5 x 100 mm, 2-component grip, with non-slip grip

Terminal marking

Feed-through terminal block - UT 2,5/1P - 3045017

Accessories

Zack marker strip - ZB 5 :UNBEDRUCKT - 1050004



Zack marker strip, Strip, white, unlabeled, can be labeled with: PLOTMARK, CMS-P1-PLOTTER, mounting type: snap into tall marker groove, for terminal block width: 5.2 mm, lettering field size: 5.1 x 10.5 mm, Number of individual labels: 10

Marker for terminal blocks - UC-TM 5 - 0818108



Marker for terminal blocks, Sheet, white, unlabeled, can be labeled with: BLUEMARK ID COLOR, BLUEMARK ID, BLUEMARK CLED, PLOTMARK, CMS-P1-PLOTTER, mounting type: snap into tall marker groove, for terminal block width: 5.2 mm, lettering field size: 10.5 x 4.6 mm, Number of individual labels: 96

Marker for terminal blocks - UCT-TM 5 - 0828734



Marker for terminal blocks, Sheet, white, unlabeled, can be labeled with: TOPMARK NEO, TOPMARK LASER, BLUEMARK ID COLOR, BLUEMARK ID, BLUEMARK CLED, THERMOMARK PRIME, THERMOMARK CARD 2.0, THERMOMARK CARD, mounting type: snap into tall marker groove, for terminal block width: 5.2 mm, lettering field size: 4.6 x 10.5 mm, Number of individual labels: 72

Test plug terminal block

Test plugs - MPS-MT - 0201744



Test plugs, with solder connection up to 1 mm² conductor cross section, color: gray

Test plugs - PS-5 - 3030983



Test plugs, color: red

Feed-through terminal block - UT 2,5/1P - 3045017

Accessories

Test plugs - PS-5/2,3MM RD - 3038723



Test plugs, color: red

Test socket

Test adapter - PAI-4-FIX-5/6 BU - 3035975



4 mm test adapter, for terminal blocks with 5.2 mm and 6.2 mm pitch

Test adapter - PAI-4-FIX-5/6 OG - 3035974



4 mm test adapter, for terminal blocks with 5.2 mm and 6.2 mm pitch

Test adapter - PAI-4-FIX-5/6 YE - 3035977



4 mm test adapter, for terminal blocks with 5.2 mm and 6.2 mm pitch

Test adapter - PAI-4-FIX-5/6 RD - 3035976



4 mm test adapter, for terminal blocks with 5.2 mm and 6.2 mm pitch

Feed-through terminal block - UT 2,5/1P - 3045017

Accessories

Test adapter - PAI-4-FIX-5/6 GN - 3035978



4 mm test adapter, for terminal blocks with 5.2 mm and 6.2 mm pitch

Test adapter - PAI-4-FIX-5/6 BK - 3035980



4 mm test adapter, for terminal blocks with 5.2 mm and 6.2 mm pitch

Test adapter - PAI-4-FIX-5/6 GY - 3035982



4 mm test adapter, for terminal blocks with 5.2 mm and 6.2 mm pitch

Test adapter - PAI-4-FIX-5/6 VT - 3035979



4 mm test adapter, for terminal blocks with 5.2 mm and 6.2 mm pitch

Test adapter - PAI-4-FIX-5/6 BN - 3035981



4 mm test adapter, for terminal blocks with 5.2 mm and 6.2 mm pitch

Feed-through terminal block - UT 2,5/1P - 3045017

Accessories

Test adapter - PAI-4-FIX-5/6 WH - 3035983



4 mm test adapter, for terminal blocks with 5.2 mm and 6.2 mm pitch

Test adapter - PAI-4-N GY - 3032871



4 mm test adapter, for terminal blocks with 5.2 mm, 6.2 mm and 8.2 mm pitch

Additional products

Plug - SP 2,5/ 1 - 3040258



Plug, nom. voltage: 500 V, nominal current: 24 A, connection method: Spring-cage connection, Plug connection, number of connections: 1, number of positions: 1, cross section: 0.08 mm² - 4 mm², AWG: 28 - 12, width: 5.2 mm, height: 39 mm, color: gray

Plug - SP 2,5/ 2 - 3040261



Plug, nom. voltage: 500 V, nominal current: 24 A, connection method: Spring-cage connection, Plug connection, number of connections: 2, number of positions: 2, cross section: 0.08 mm² - 4 mm², AWG: 28 - 12, width: 10.4 mm, height: 39 mm, color: gray

Plug - SP 2,5/ 3 - 3040274



Plug, nom. voltage: 500 V, nominal current: 24 A, connection method: Spring-cage connection, Plug connection, number of connections: 3, number of positions: 3, cross section: 0.08 mm² - 4 mm², AWG: 28 - 12, width: 15.6 mm, height: 39 mm, color: gray

Feed-through terminal block - UT 2,5/1P - 3045017

Accessories

Plug - SP 2,5/ 4 - 3040287



Plug, nom. voltage: 500 V, nominal current: 24 A, connection method: Spring-cage connection, Plug connection, number of connections: 4, number of positions: 4, cross section: 0.08 mm² - 4 mm², AWG: 28 - 12, width: 20.8 mm, height: 39 mm, color: gray

Plug - SP 2,5/ 5 - 3040290



Plug, nom. voltage: 500 V, nominal current: 24 A, connection method: Spring-cage connection, Plug connection, number of connections: 5, number of positions: 5, cross section: 0.08 mm² - 4 mm², AWG: 28 - 12, width: 26 mm, height: 39 mm, color: gray

Plug - SP 2,5/ 6 - 3040300



Plug, nom. voltage: 500 V, nominal current: 24 A, connection method: Spring-cage connection, Plug connection, number of connections: 6, number of positions: 6, cross section: 0.08 mm² - 4 mm², AWG: 28 - 12, width: 31.2 mm, height: 39 mm, color: gray

Plug - SP 2,5/ 7 - 3040313



Plug, nom. voltage: 500 V, nominal current: 24 A, connection method: Spring-cage connection, Plug connection, number of connections: 7, number of positions: 7, cross section: 0.08 mm² - 4 mm², AWG: 28 - 12, width: 36.4 mm, height: 39 mm, color: gray

Plug - SP 2,5/ 8 - 3040326



Plug, nom. voltage: 500 V, nominal current: 24 A, connection method: Spring-cage connection, Plug connection, number of connections: 8, number of positions: 8, cross section: 0.08 mm² - 4 mm², AWG: 28 - 12, width: 41.6 mm, height: 39 mm, color: gray

Feed-through terminal block - UT 2,5/1P - 3045017

Accessories

Plug - SP 2,5/ 9 - 3040339



Plug, nom. voltage: 500 V, nominal current: 24 A, connection method: Spring-cage connection, Plug connection, number of connections: 9, number of positions: 9, cross section: 0.08 mm² - 4 mm², AWG: 28 - 12, width: 46.8 mm, height: 39 mm, color: gray

Plug - SP 2,5/10 - 3040342



Plug, nom. voltage: 500 V, nominal current: 24 A, connection method: Spring-cage connection, Plug connection, number of connections: 10, number of positions: 10, cross section: 0.08 mm² - 4 mm², AWG: 28 - 12, width: 52 mm, height: 39 mm, color: gray

Plug - SP 2,5/11 - 3040355



Plug, nom. voltage: 500 V, nominal current: 24 A, connection method: Spring-cage connection, Plug connection, number of connections: 11, number of positions: 11, cross section: 0.08 mm² - 4 mm², AWG: 28 - 12, width: 57.2 mm, height: 39 mm, color: gray

Plug - SP 2,5/12 - 3040368



Plug, nom. voltage: 500 V, nominal current: 24 A, connection method: Spring-cage connection, Plug connection, number of connections: 12, number of positions: 12, cross section: 0.08 mm² - 4 mm², AWG: 28 - 12, width: 62.4 mm, height: 39 mm, color: gray

Plug - SP 2,5/13 - 3040371



Plug, nom. voltage: 500 V, nominal current: 24 A, connection method: Spring-cage connection, Plug connection, number of connections: 13, number of positions: 13, cross section: 0.08 mm² - 4 mm², AWG: 28 - 12, width: 67.6 mm, height: 39 mm, color: gray

Feed-through terminal block - UT 2,5/1P - 3045017

Accessories

Plug - SP 2,5/14 - 3040384



Plug, nom. voltage: 500 V, nominal current: 24 A, connection method: Spring-cage connection, Plug connection, number of connections: 14, number of positions: 14, cross section: 0.08 mm² - 4 mm², AWG: 28 - 12, width: 72.8 mm, height: 39 mm, color: gray

Plug - SP 2,5/15 - 3040397



Plug, nom. voltage: 500 V, nominal current: 24 A, connection method: Spring-cage connection, Plug connection, number of connections: 15, number of positions: 15, cross section: 0.08 mm² - 4 mm², AWG: 28 - 12, width: 78 mm, height: 39 mm, color: gray

Plug - SP 2,5/ 1 BU - 3040698



Plug, nom. voltage: 500 V, nominal current: 24 A, connection method: Spring-cage connection, Plug connection, number of connections: 1, number of positions: 1, cross section: 0.08 mm² - 4 mm², AWG: 28 - 12, width: 5.2 mm, height: 39 mm, color: blue

Plug - SP 2,5/ 1 GNYE - 3040708



Plug, nom. voltage: 500 V, nominal current: 24 A, connection method: Spring-cage connection, Plug connection, number of connections: 1, number of positions: 1, cross section: 0.08 mm² - 4 mm², AWG: 28 - 12, width: 5.2 mm, height: 39 mm, color: green-yellow

Plug - SPB 2,5/ 1 - 3040106



Plug, nom. voltage: 500 V, nominal current: 24 A, connection method: Spring-cage connection, Plug connection, number of connections: 1, number of positions: 1, cross section: 0.08 mm² - 4 mm², AWG: 28 - 12, width: 5.2 mm, height: 39 mm, color: gray

Feed-through terminal block - UT 2,5/1P - 3045017

Accessories

Plug - SPB 2,5/ 2 - 3040119



Plug, nom. voltage: 500 V, nominal current: 24 A, connection method: Spring-cage connection, Plug connection, number of connections: 2, number of positions: 2, cross section: 0.08 mm² - 4 mm², AWG: 28 - 12, width: 10.4 mm, height: 39 mm, color: gray

Plug - SPB 2,5/ 3 - 3040122



Plug, nom. voltage: 500 V, nominal current: 24 A, connection method: Spring-cage connection, Plug connection, number of connections: 3, number of positions: 3, cross section: 0.08 mm² - 4 mm², AWG: 28 - 12, width: 15.6 mm, height: 39 mm, color: gray

Plug - SPB 2,5/ 4 - 3040135



Plug, nom. voltage: 500 V, nominal current: 24 A, connection method: Spring-cage connection, Plug connection, number of connections: 4, number of positions: 4, cross section: 0.08 mm² - 4 mm², AWG: 28 - 12, width: 20.8 mm, height: 39 mm, color: gray

Plug - SPB 2,5/ 5 - 3040143



Plug, nom. voltage: 500 V, nominal current: 24 A, connection method: Spring-cage connection, Plug connection, number of connections: 5, number of positions: 5, cross section: 0.08 mm² - 4 mm², AWG: 28 - 12, width: 26 mm, height: 39 mm, color: gray

Plug - SPB 2,5/ 6 - 3040151



Plug, nom. voltage: 500 V, nominal current: 24 A, connection method: Spring-cage connection, Plug connection, number of connections: 6, number of positions: 6, cross section: 0.08 mm² - 4 mm², AWG: 28 - 12, width: 31.2 mm, height: 39 mm, color: gray

Feed-through terminal block - UT 2,5/1P - 3045017

Accessories

Plug - SPB 2,5/ 7 - 3040164



Plug, nom. voltage: 500 V, nominal current: 24 A, connection method: Spring-cage connection, Plug connection, number of connections: 7, number of positions: 7, cross section: 0.08 mm² - 4 mm², AWG: 28 - 12, width: 36.4 mm, height: 39 mm, color: gray

Plug - SPB 2,5/ 8 - 3040177



Plug, nom. voltage: 500 V, nominal current: 24 A, connection method: Spring-cage connection, Plug connection, number of connections: 8, number of positions: 8, cross section: 0.08 mm² - 4 mm², AWG: 28 - 12, width: 41.6 mm, height: 39 mm, color: gray

Plug - SPB 2,5/ 9 - 3040180



Plug, nom. voltage: 500 V, nominal current: 24 A, connection method: Spring-cage connection, Plug connection, number of connections: 9, number of positions: 9, cross section: 0.08 mm² - 4 mm², AWG: 28 - 12, width: 46.8 mm, height: 39 mm, color: gray

Plug - SPB 2,5/10 - 3040193



Plug, nom. voltage: 500 V, nominal current: 24 A, connection method: Spring-cage connection, Plug connection, number of connections: 10, number of positions: 10, cross section: 0.08 mm² - 4 mm², AWG: 28 - 12, width: 52 mm, height: 39 mm, color: gray

Plug - SPB 2,5/11 - 3040203



Plug, nom. voltage: 500 V, nominal current: 24 A, connection method: Spring-cage connection, Plug connection, number of connections: 11, number of positions: 11, cross section: 0.08 mm² - 4 mm², AWG: 28 - 12, width: 57.2 mm, height: 39 mm, color: gray

Feed-through terminal block - UT 2,5/1P - 3045017

Accessories

Plug - SPB 2,5/12 - 3040216



Plug, nom. voltage: 500 V, nominal current: 24 A, connection method: Spring-cage connection, Plug connection, number of connections: 12, number of positions: 12, cross section: 0.08 mm² - 4 mm², AWG: 28 - 12, width: 62.4 mm, height: 39 mm, color: gray

Plug - SPB 2,5/13 - 3040229



Plug, nom. voltage: 500 V, nominal current: 24 A, connection method: Spring-cage connection, Plug connection, number of connections: 13, number of positions: 13, cross section: 0.08 mm² - 4 mm², AWG: 28 - 12, width: 67.6 mm, height: 39 mm, color: gray

Plug - SPB 2,5/14 - 3040232



Plug, nom. voltage: 500 V, nominal current: 24 A, connection method: Spring-cage connection, Plug connection, number of connections: 14, number of positions: 14, cross section: 0.08 mm² - 4 mm², AWG: 28 - 12, width: 72.8 mm, height: 39 mm, color: gray

Plug - SPB 2,5/15 - 3040245



Plug, nom. voltage: 500 V, nominal current: 24 A, connection method: Spring-cage connection, Plug connection, number of connections: 15, number of positions: 15, cross section: 0.08 mm² - 4 mm², AWG: 28 - 12, width: 78 mm, height: 39 mm, color: gray

Plug - SPB 2,5/ 1 BU - 3040724



Plug, nom. voltage: 500 V, nominal current: 24 A, connection method: Spring-cage connection, Plug connection, number of connections: 1, number of positions: 1, cross section: 0.08 mm² - 4 mm², AWG: 28 - 12, width: 5.2 mm, height: 39 mm, color: blue

Feed-through terminal block - UT 2,5/1P - 3045017

Accessories

Plug - SPB 2,5/ 1 GNYE - 3040711



Plug, nom. voltage: 500 V, nominal current: 24 A, connection method: Spring-cage connection, Plug connection, number of connections: 1, number of positions: 1, cross section: 0.08 mm² - 4 mm², AWG: 28 - 12, width: 5.2 mm, height: 39 mm, color: green-yellow

Plug - UPBV 2,5/ 1 - 3045145



Plug, nom. voltage: 500 V, nominal current: 24 A, connection method: Screw connection, number of connections: 1, number of positions: 1, cross section: 0.14 mm² - 4 mm², AWG: 26 - 12, width: 5.2 mm, height: 47 mm, color: gray

Plug - UPBV 2,5/ 2 - 3045402



Plug, nom. voltage: 500 V, nominal current: 24 A, connection method: Screw connection, number of connections: 2, number of positions: 2, cross section: 0.14 mm² - 4 mm², AWG: 26 - 12, width: 10.4 mm, height: 47 mm, color: gray

Plug - UPBV 2,5/ 3 - 3045415



Plug, nom. voltage: 500 V, nominal current: 24 A, connection method: Screw connection, number of connections: 3, number of positions: 3, cross section: 0.14 mm² - 4 mm², AWG: 26 - 12, width: 15.6 mm, height: 47 mm, color: gray

Plug - UPBV 2,5/ 4 - 3045428



Plug, nom. voltage: 500 V, nominal current: 24 A, connection method: Screw connection, number of connections: 4, number of positions: 4, cross section: 0.14 mm² - 4 mm², AWG: 26 - 12, width: 20.8 mm, height: 47 mm, color: gray

Feed-through terminal block - UT 2,5/1P - 3045017

Accessories

Plug - UPBV 2,5/ 5 - 3045431



Plug, nom. voltage: 500 V, nominal current: 24 A, connection method: Screw connection, number of connections: 5, number of positions: 5, cross section: 0.14 mm² - 4 mm², AWG: 26 - 12, width: 26 mm, height: 47 mm, color: gray

Plug - UPBV 2,5/ 6 - 3045444



Plug, nom. voltage: 500 V, nominal current: 24 A, connection method: Screw connection, number of connections: 6, number of positions: 6, cross section: 0.14 mm² - 4 mm², AWG: 26 - 12, width: 31.2 mm, height: 47 mm, color: gray

Plug - UPBV 2,5/ 7 - 3045457



Plug, nom. voltage: 500 V, nominal current: 24 A, connection method: Screw connection, number of connections: 7, number of positions: 7, cross section: 0.14 mm² - 4 mm², AWG: 26 - 12, width: 36.4 mm, height: 47 mm, color: gray

Plug - UPBV 2,5/ 8 - 3045460



Plug, nom. voltage: 500 V, nominal current: 24 A, connection method: Screw connection, number of connections: 8, number of positions: 8, cross section: 0.14 mm² - 4 mm², AWG: 26 - 12, width: 41.6 mm, height: 47 mm, color: gray

Plug - UPBV 2,5/ 9 - 3045473



Plug, nom. voltage: 500 V, nominal current: 24 A, connection method: Screw connection, number of connections: 9, number of positions: 9, cross section: 0.14 mm² - 4 mm², AWG: 26 - 12, width: 46.8 mm, height: 47 mm, color: gray

Feed-through terminal block - UT 2,5/1P - 3045017

Accessories

Plug - UPBV 2,5/10 - 3045499



Plug, nom. voltage: 500 V, nominal current: 24 A, connection method: Screw connection, number of connections: 10, number of positions: 10, cross section: 0.14 mm² - 4 mm², AWG: 26 - 12, width: 52 mm, height: 47 mm, color: gray

Plug - UPBV 2,5/11 - 3045509



Plug, nom. voltage: 500 V, nominal current: 24 A, connection method: Screw connection, number of connections: 11, number of positions: 11, cross section: 0.14 mm² - 4 mm², AWG: 26 - 12, width: 57.2 mm, height: 47 mm, color: gray

Plug - UPBV 2,5/12 - 3045512



Plug, nom. voltage: 500 V, nominal current: 24 A, connection method: Screw connection, number of connections: 12, number of positions: 12, cross section: 0.14 mm² - 4 mm², AWG: 26 - 12, width: 62.4 mm, height: 47 mm, color: gray

Plug - UPBV 2,5/13 - 3045525



Plug, nom. voltage: 500 V, nominal current: 24 A, connection method: Screw connection, number of connections: 13, number of positions: 13, cross section: 0.14 mm² - 4 mm², AWG: 26 - 12, width: 67.6 mm, height: 47 mm, color: gray

Plug - UPBV 2,5/14 - 3045538



Plug, nom. voltage: 500 V, nominal current: 24 A, connection method: Screw connection, number of connections: 14, number of positions: 14, cross section: 0.14 mm² - 4 mm², AWG: 26 - 12, width: 72.8 mm, height: 47 mm, color: gray

Feed-through terminal block - UT 2,5/1P - 3045017

Accessories

Plug - UPBV 2,5/15 - 3045541



Plug, nom. voltage: 500 V, nominal current: 24 A, connection method: Screw connection, number of connections: 15, number of positions: 15, cross section: 0.14 mm² - 4 mm², AWG: 26 - 12, width: 78 mm, height: 47 mm, color: gray

Plug - UPBV 2,5/ 1 BU - 3045240



Plug, nom. voltage: 500 V, nominal current: 24 A, connection method: Screw connection, number of connections: 1, number of positions: 1, cross section: 0.14 mm² - 4 mm², AWG: 26 - 12, width: 5.2 mm, height: 47 mm, color: blue

Plug - UPBV 2,5/ 1 GNYE - 3045253



Plug, nom. voltage: 500 V, nominal current: 24 A, connection method: Screw connection, number of connections: 1, number of positions: 1, cross section: 0.14 mm² - 4 mm², AWG: 26 - 12, width: 5.2 mm, height: 47 mm, color: green-yellow

Plug - UPBV 2,5/ 1-L - 3045318



Plug, nom. voltage: 500 V, nominal current: 24 A, connection method: Screw connection, number of connections: 1, number of positions: 1, cross section: 0.14 mm² - 4 mm², AWG: 26 - 12, width: 5.2 mm, height: 47 mm, color: gray

Plug - UPBV 2,5/ 1-L BU - 3045321



Plug, nom. voltage: 500 V, nominal current: 24 A, connection method: Screw connection, number of connections: 1, number of positions: 1, cross section: 0.14 mm² - 4 mm², AWG: 26 - 12, width: 5.2 mm, height: 47 mm, color: blue

Feed-through terminal block - UT 2,5/1P - 3045017

Accessories

Plug - UPBV 2,5/ 1-L GNYE - 3045334



Plug, nom. voltage: 500 V, nominal current: 24 A, connection method: Screw connection, number of connections: 1, number of positions: 1, cross section: 0.14 mm² - 4 mm², AWG: 26 - 12, width: 5.2 mm, height: 47 mm, color: green-yellow

Plug - UPBV 2,5/ 1-M - 3045347



Plug, nom. voltage: 500 V, nominal current: 24 A, connection method: Screw connection, number of connections: 1, number of positions: 1, cross section: 0.14 mm² - 4 mm², AWG: 26 - 12, width: 5.2 mm, height: 47 mm, color: gray

Plug - UPBV 2,5/ 1-M BU - 3045350



Plug, nom. voltage: 500 V, nominal current: 24 A, connection method: Screw connection, number of connections: 1, number of positions: 1, cross section: 0.14 mm² - 4 mm², AWG: 26 - 12, width: 5.2 mm, height: 47 mm, color: blue

Plug - UPBV 2,5/ 1-M GNYE - 3045363



Plug, nom. voltage: 500 V, nominal current: 24 A, connection method: Screw connection, number of connections: 1, number of positions: 1, cross section: 0.14 mm² - 4 mm², AWG: 26 - 12, width: 5.2 mm, height: 47 mm, color: green-yellow

Plug - UPBV 2,5/ 1-R - 3045376



Plug, nom. voltage: 500 V, nominal current: 24 A, connection method: Screw connection, number of connections: 1, number of positions: 1, cross section: 0.14 mm² - 4 mm², AWG: 26 - 12, width: 5.2 mm, height: 47 mm, color: gray

Feed-through terminal block - UT 2,5/1P - 3045017

Accessories

Plug - UPBV 2,5/ 1-R BU - 3045389



Plug, nom. voltage: 500 V, nominal current: 24 A, connection method: Screw connection, number of connections: 1, number of positions: 1, cross section: 0.14 mm² - 4 mm², AWG: 26 - 12, width: 5.2 mm, height: 47 mm, color: blue

Plug - UPBV 2,5/ 1-R GNYE - 3045392



Plug, nom. voltage: 500 V, nominal current: 24 A, connection method: Screw connection, number of connections: 1, number of positions: 1, cross section: 0.14 mm² - 4 mm², AWG: 26 - 12, width: 5.2 mm, height: 47 mm, color: green-yellow
