

## Component terminal block - STTCO-LG 2,5/5 ZB-PE GY - 3038370

Please be informed that the data shown in this PDF Document is generated from our Online Catalog. Please find the complete data in the user's documentation. Our General Terms of Use for Downloads are valid (<http://phoenixcontact.com/download>)




Housing fully equipped, with marker groove and additional PE contact, 5-pos., color: gray

The illustration shows the version STTCO-LG 2,5/5 MT GY with side cover D-STTCO 2,5 GY



### Key Commercial Data

Packing unit	1 pc
GTIN	 4 017918 952563
Weight per Piece (excluding packing)	17.8 g
Custom tariff number	85369010
Country of origin	Germany

### Technical data

#### General

Housing type	Component housing
Housing material	PA 6.6
Color	gray

#### Dimensions

Width	8.2 mm
-------	--------

#### Technical data

Inflammability class according to UL 94	V2
Number of positions	5

#### Connection data

Conductor cross section solid min.	0.2 mm <sup>2</sup>
------------------------------------	---------------------

## Component terminal block - STTCO-LG 2,5/5 ZB-PE GY - 3038370

### Technical data

#### Connection data

Conductor cross section solid max.	4 mm <sup>2</sup>
Conductor cross section flexible min.	0.2 mm <sup>2</sup>
Conductor cross section flexible max.	2.5 mm <sup>2</sup>
Conductor cross section AWG min.	24
Conductor cross section AWG max.	12

### Classifications

#### eCl@ss

eCl@ss 4.0	27141127
eCl@ss 4.1	27141127
eCl@ss 5.0	27141127
eCl@ss 5.1	27141127
eCl@ss 6.0	27141127
eCl@ss 7.0	27141127
eCl@ss 8.0	27182702

#### ETIM

ETIM 2.0	EC001031
ETIM 3.0	EC001031
ETIM 4.0	EC001031
ETIM 5.0	EC001031

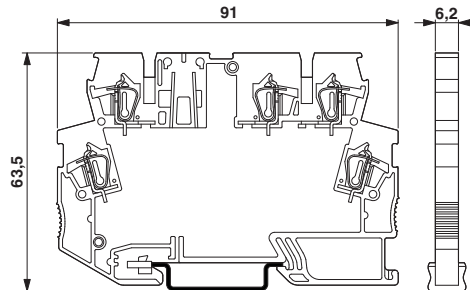
#### UNSPSC

UNSPSC 6.01	31261501
UNSPSC 7.0901	31261501
UNSPSC 11	31261501
UNSPSC 12.01	31261501
UNSPSC 13.2	31261501

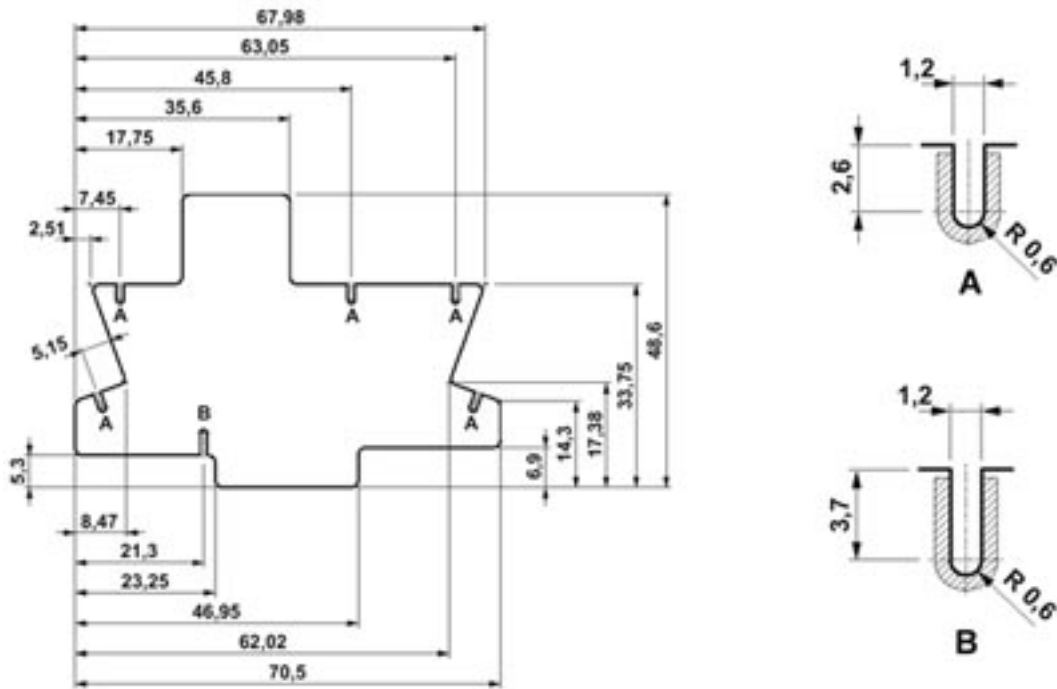
### Drawings

# Component terminal block - STTCO-LG 2,5/5 ZB-PE GY - 3038370

Dimensional drawing



Dimensional drawing



Dimensional drawing of the PCB  
Elongated holes (detail A and B) must be through-plated in the hatched section