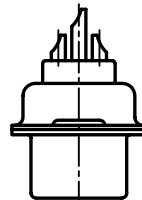
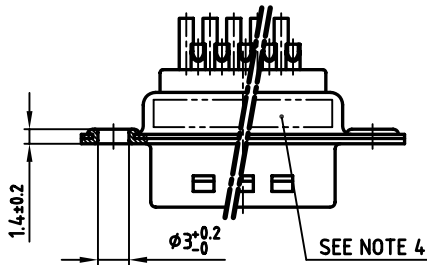
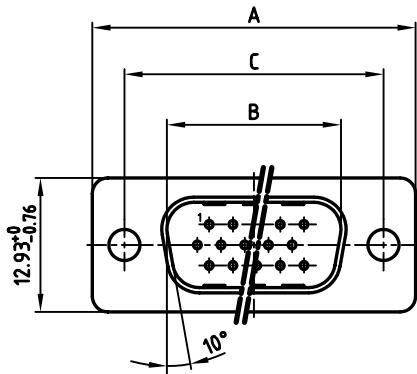
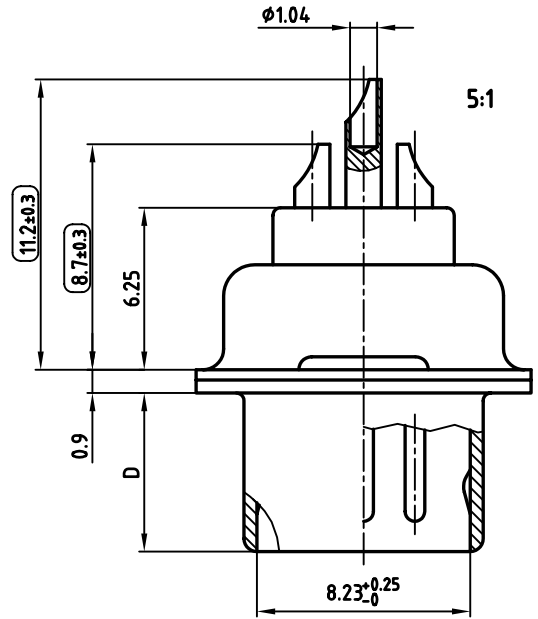


POS.	A <sub>-0.76</sub>	B <sub>+0.25</sub>	C	D <sub>-0.3</sub>	Part No.
15	31.19	16.79	25.00 <sup>+0.12</sup> / <sub>-0.13</sub>	6.12	<b>301A10129X</b>
26	39.52	25.12	33.30 <sup>+0.15</sup> / <sub>-0.1</sub>	6.12	<b>301A10139X</b>
44	53.42	38.84	47.04 <sub>±0.13</sub>	5.99	<b>301A10149X</b>
62	69.70	55.30	63.50 <sub>±0.13</sub>	5.99	<b>301A10159X</b>

used for: D-SUB HD



**NOTES:**

- METALSHELLS: STEEL; min. 320µ" TIN
- INSULATORS: PBT GF UL 94 V-0, BLACK
- CONTACTS: COPPER ALLOY  
PLATING: 8µ" HARD GOLD OVER min. 50µ" NICKEL  
SOLDER CUP ACCEPTS CABLE AWG 22
- CONNECTOR IS PART MARKED: PART-NO. CONEC ABC
- = CHECK DIMENSION

Directive 2002/95/EC  
RoHS  
Compliant

APPROVAL # FREIGABE # DEBLOCAGE # AUTORIZACION # APPROVAL	
CUSTOMER APPROVAL DATE:	
NAME:	TITLE:
COMPANY NAME:	
APPROVAL # FREIGABE # DEBLOCAGE # AUTORIZACION # APPROVAL	

THIS DRAWING MAY NOT BE COPIED OR REPRODUCED IN ANY WAY, AND MAY NOT BE PASSED ON TO A THIRD PARTY, WITHOUT WRITTEN PERMISSION. OWNERSHIP AND COPYRIGHT OF CONEC GmbH. DO NOT ALTER CAD DRAWING BY HAND

rev.	description	date	name

tolerance	dim. in mm	scale:	2:1 (5:1)
material:	SEE NOTES	material:	SEE NOTES
2005	date	name	title:
drawn	21.11.	Lehmenkühler	<b>D-SUB HD MALE</b> 15-62pos. SOLDER CUP STAMPED CONTACTS
appd.	21.11.	Mickenbecker	
norm	DIN 41652		
d-old			dwg no:
			AutoCAD 2004
			DIN-A
part no:			SEE TABLE
16K1A1570			3
			sh: 1/1