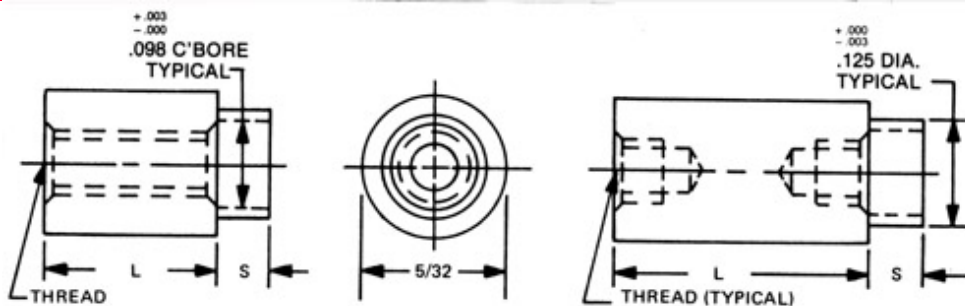


5/32 ROUND SWAGE STANDOFFS

RAF



RAF

Order Code:

Finishes:

12-Zinc

<<< >>> Contents

Quote [\[How to create part numbers\]](#) [\[Material Specifications\]](#)

SELECT	PART NO.	LENGTH
	3015A	3/32
	3015	1/8
	3015T	5/32
	3016	3/16
	3016T	7/32
	3017	1/4
	3017T	9/32
	3018	5/16
	3018T	11/32
	3019	3/8
	3019T	13/32
	3020	7/16
	3020T	15/32
	3021	1/2
	3021T	17/32

Select	PART NO.	LENGTH
	3022	9/16
	3022T	19/32
	3023	5/8
	3023T	21/32
	3024	11/16
	3024T	23/32
	3025	3/4
	3025T	25/32
	3026	13/16
	3026T	27/32
	3027	7/8
	3027T	29/32
	3028	15/16
	3028T	31/32
	3029	1

SWAGE/PANEL CODE			
Select	S	+ .003 - .003	P
	A	.075	1/32
	B	.105	1/16
	C	.135	3/32
	D	.165	1/8
	E	.230	3/16
	F	.290	1/4

For thread depth information
[please click here](#)

L = STANDOFF LENGTH
S = SHANK LENGTH
P = BOARD THICKNESS

Select	CODE	MATERIAL	RoHS
	AL	ALUMINUM	YES
	B	BRASS	YES
	SS	STAINLESS STEEL	YES
	S	STEEL	YES
	N	NYLON	YES

SWAGE TOOLING		
PUNCH	ANVIL	LENGTH
P-2	AR-14	3/32-3/16
	AR-15	7/32-7/16
	AR-16	15/32-11/16
	AR-17	23/32-1"

Select	CODE	THREAD
	080	0-80
	256	2-56

Ordering Code				
xxxx	x	xxx	x	x
	Shank		Material	
Length		Thread		Finish

For non standard items
[please click here](#)

RAF

© 1999 RAF Electronic Hardware All Rights Reserved

Seymour CT 06483 203 888-2133 Fax: 203 888-9860 www.rafhdwe.com