

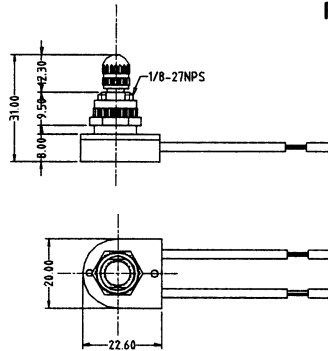
# SWITCHES APPLIANCE & SPECIALTY

## ROTARY CANOPY SWITCH

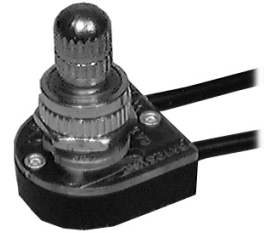
### SPECIFICATIONS:

<b>Current Rating:</b>	6A @ 125V AC, 3A @ 250V AC
<b>Initial Contact Resistance:</b>	DC 2.5V-1A, 20 Meg ohm (Min.)
<b>Insulation Resistance:</b>	500V DC 100 Meg ohm (Min.)
<b>Dielectric Strength:</b>	1500V AC for 1 minute
<b>Contact Material:</b>	Brass - Bright Nickel Plate
<b>Terminal Material:</b>	6" 18 AWG 105 C° Wire
<b>Terminal Type:</b>	Stripped Wire Leads

Part No.	Type	Action	Actuator
30-9161	SPST	ON - OFF	Knurled Metal



Mounting Hole: 0.406"



### SPECIFICATIONS:

<b>Current Rating:</b>	6A @ 125V AC, 3A @ 250V AC
<b>Initial Contact Resistance:</b>	50 Meg ohm (Max.)
<b>Insulation Resistance:</b>	100 Meg ohm (Min.) @ 500V DC
<b>Dielectric Strength:</b>	1000V AC 50/60 Hz for 1 minute
<b>Contact Material:</b>	Brass - 6" 18 AWG, 105 C° Wire
<b>Terminal Material:</b>	Brass - Bright Nickel Plate
<b>Terminal Type:</b>	Stripped & Tinned Wire Leads

Part No.	Type	Action	Actuator
30-1720	SPST	ON - OFF	Metal

## LIGHT DUTY BALL HANDLE TOGGLE SWITCH

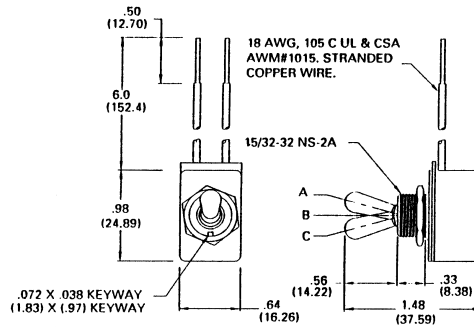
Mounting Hole: 0.500"



### SPECIFICATIONS:

<b>Current Rating:</b>	8A @ 125V AC, 4A @ 250V AC 10A @ 125V AC, 1/3 HP @ 125V AC
<b>Initial Contact Resistance:</b>	50 Meg ohm (Max.)
<b>Insulation Resistance:</b>	100 Meg ohm (Min.) @ 500V DC
<b>Dielectric Strength:</b>	1000V AC 50/60 Hz for 1 minute
<b>Contact Material:</b>	Brass - 6" 18 AWG, 105 C° Wire
<b>Terminal Material:</b>	Brass - Bright Nickel Plate
<b>Terminal Type:</b>	Stripped Wire Leads

Part No.	Type	Action	Actuator
30-350	SPST	ON - OFF	Metal



Mounting Hole: 0.500"



## SURFACE MOUNT PANIC SWITCH

### SPECIFICATIONS:

<b>Current Rating:</b>	2A @ 125VAC, 1A @ 250VAC
<b>Mounting Centers:</b>	2.625"
<b>Mounting Hole:</b>	.12"
<b>Dimensions:</b>	.90" W x 3" L x .60"H
<b>Terminal Type:</b>	Screw

Part No.	Type	Action	Actuator
30-17076	SPST	O.N. or N.C. Momentary	Plastic

