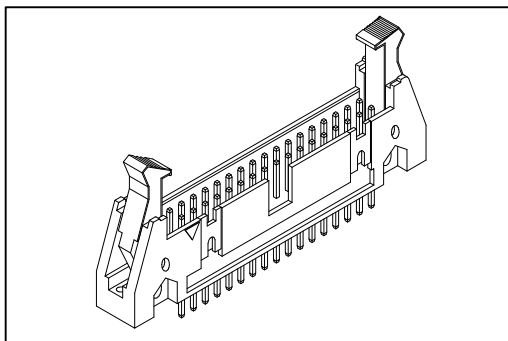




3011 Series

Box Header With Ejectors 2.54mm(0.100")



Material:

Housing: Thermoplastic Polyester Glass Filled UL94V-0.

Contacts: Copper Alloy.

Electrical Characteristics:

Current Rating: 2 A.

Dielectric Withstanding Voltage: AC 1000V.

Insulator Resistance: 1000MΩ min.

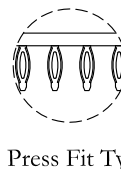
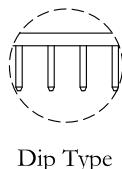
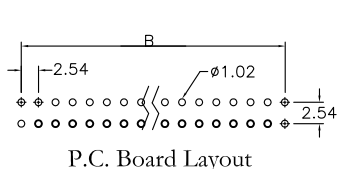
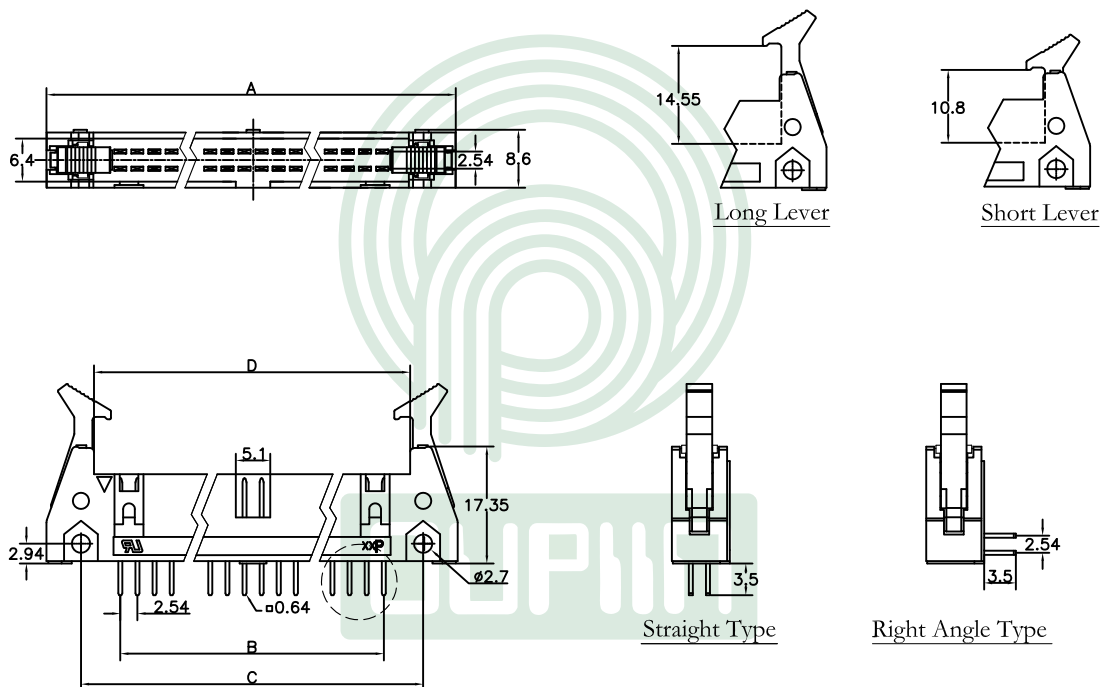
Contact Resistance: 20mΩ max.

Operating Temperature: -40°C~+105°C.

Features:

- * Choices of Eject lever.
- * Fully shrouded provides ultimate reliability.
- * Black or gray insulator available.
- * Additional plating options available.

Mates with: 1001



Position	Dimension			
	A	B	C	D
10	31.88	10.16	21.84	17.96
14	36.96	15.24	26.92	23.04
16	39.50	17.78	29.46	25.58
20	44.58	22.86	34.54	30.66
26	52.20	30.48	42.16	38.28
30	57.28	35.56	47.24	43.36
34	62.36	40.64	52.32	48.44
40	69.98	48.28	59.94	56.06
50	82.68	60.96	72.64	68.76
60	95.38	73.66	85.34	81.46
64	100.46	78.74	90.42	86.54

Ordering information

3011- 64 G 00 S P B 1 A
 Series No. of Pin Count G: Gold Plated C: Selective Gold 00: G/F S: Straight R: Right Angle *SW: Straight Wire Wrap P: Press Fit Type B: Black Y: Grey 1: With Long Ejectors 2: With Short Ejectors 3: Without Ejectors A: Tray Package

* Currently only full gold plated Straight wire wrap available and dip length is 15.0mm.