



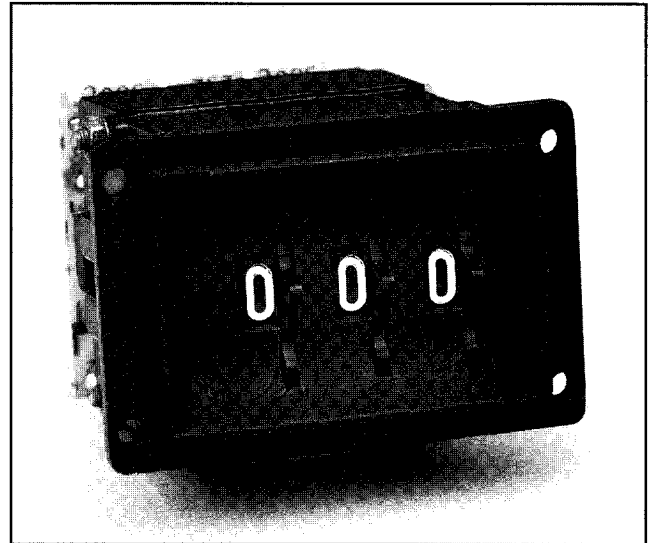
THUMB POT[®] SERIES

VOLTAGE DIVIDERS

THUMB POT[®] SERIES

The THUMB POT[®] is a digital voltage divider which allows the user to set varying voltages while maintaining a constant resistance within the circuit.

Sharing the features and options of our 1776 and 1976 switches, the THUMB POT is available in two, three or four decade models, with resistance values from 1,000 to 100,000 ohms. The main feature of THUMB POT is exact setting repeatability, with setting accuracies up to $\pm .05\%$ of full scale voltage. One year warranty.



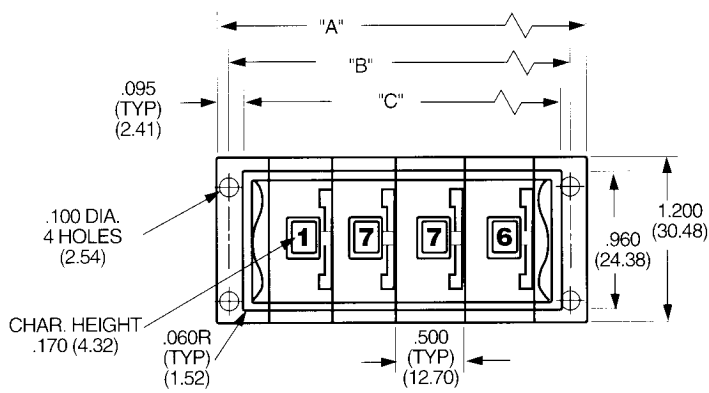
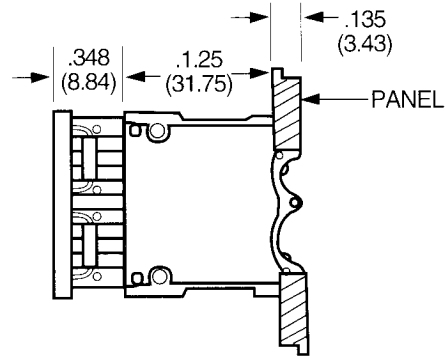
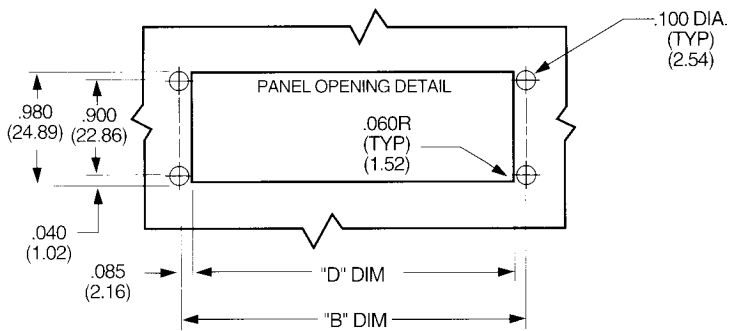
SPECIFICATIONS

MECHANICAL	No. of Switching Positions	10
	Life	Minimum 1,000,000 Detents @ 10mA, 5 VDC At 25°C Per Switch
	Tangential Operating Force	5-18 Oz.
	Weight	0.4 Oz. Per Switch
ELECTRICAL	Standard Resistance Range	1000-100,000Ω
	Standard Resistance Tolerance	$\pm 1\%$
	Setting Accuracy	To .05% Of Full Scale Voltage
	Standard Input Voltage (Function Of Input Impedence)	
	1,000 to 5,000 Ω Input Resistance	16 volts @ 25°C
	10,000 to 50,000 Ω Input Resistance	50 volts @ 25°C
	100,000 Ω Input Resistance	150 volts @ 25°C
	Insulation Resistance	1000MΩ Min.
	Dielectric Withstanding Voltage	500 VAC (RMS)
ENVIRONMENTAL	Operating Temperature	-20°C To +75°C
	Seal	Dust Seal
MATERIALS	Plastic	Polycarbonate per Federal Spec. LP-393A
	Metals	Corrosion Resistant
	Circuit Disc: Base Material	Glass Epoxy
	Plating	Gold Over Nickel
	Contacts	Precious Metal Alloy, Gold Plated
	Terminals	Precious Metal Alloy, 60/40 Tin/Lead Plated

Outline Dimensions & Mounting Information

THUMB POT® Series

1776 MODEL



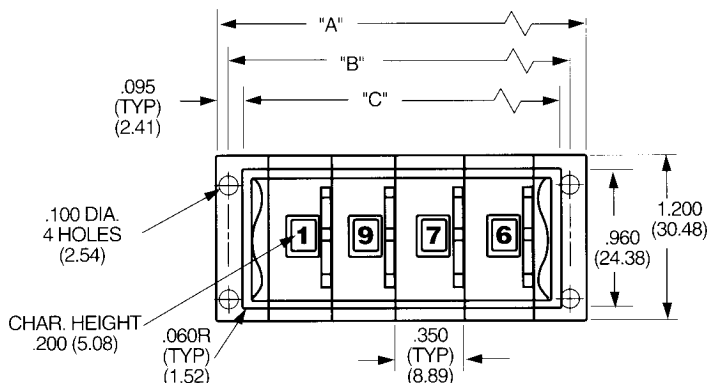
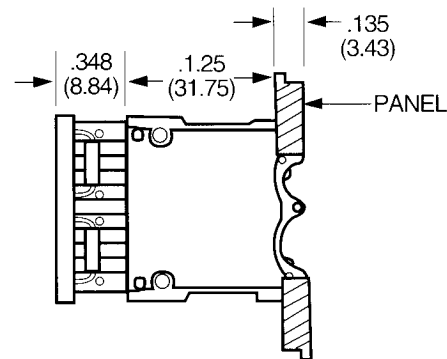
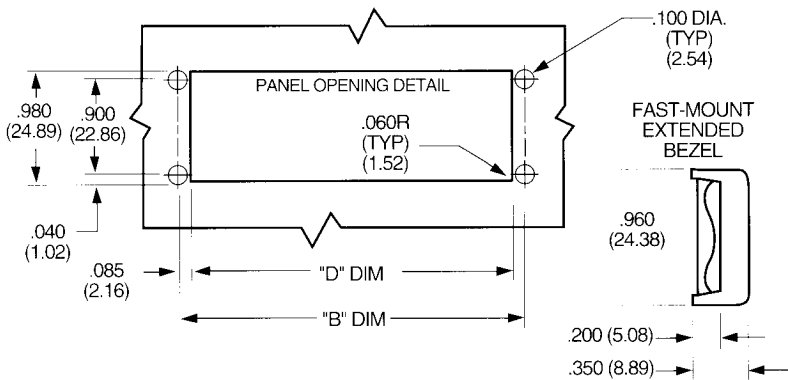
MOUNTING DIMENSIONS 76 SERIES

NO. OF STATIONS	A	B	C	D
2	1.76 (44.70)	1.59 (40.39)	1.40 (35.56)	1.42 (36.07)
3	2.26 (57.40)	2.09 (53.09)	1.90 (48.26)	1.92 (48.77)
4	2.76 (70.10)	2.59 (65.80)	2.40 (60.96)	2.42 (61.48)

Assembly dimensions may exhibit an expansion of .003 per station when measured un-installed, but will compress to recommended panel cut-out dimensions upon installation.

() Metric Dimensions in mm

1976 MODEL



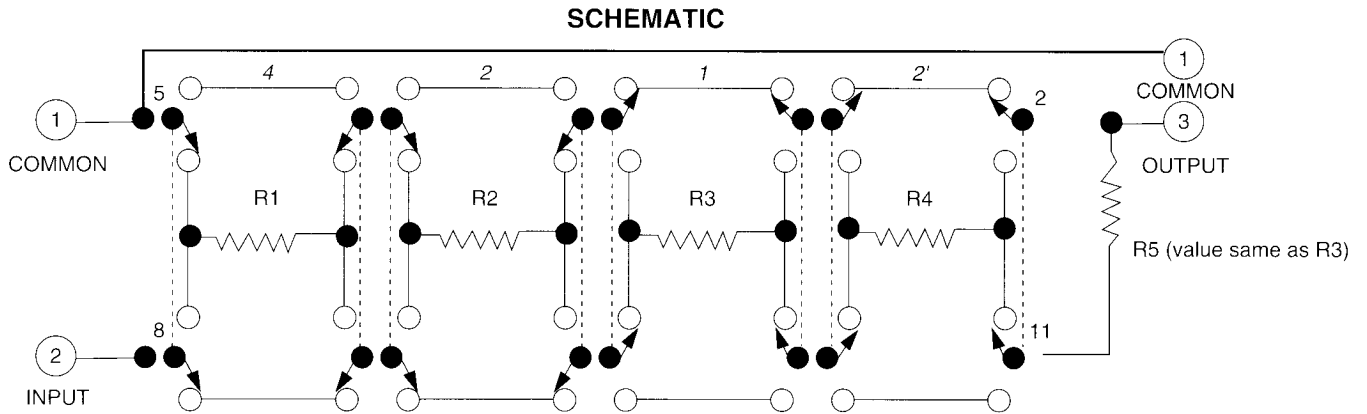
MOUNTING DIMENSIONS 96 SERIES

NO. OF STATIONS	A	B	C	D
2	1.46 (37.08)	1.29 (32.77)	1.10 (27.94)	1.12 (28.45)
3	1.81 (45.97)	1.64 (41.66)	1.45 (36.84)	1.47 (37.34)
4	2.16 (54.86)	1.99 (50.55)	1.80 (45.72)	1.82 (46.23)

Assembly dimensions may exhibit an expansion of .003 per station when measured un-installed, but will compress to recommended panel cut-out dimensions upon installation.

() Metric Dimensions in mm

STANDARD SWITCH MODELS *THUMB POT® Series*



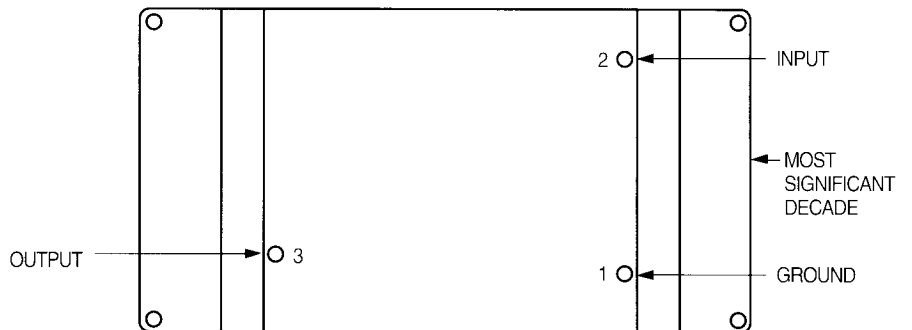
Dial set at position no. 6

Schematic pin numbers in circles are on motherboard. Others are on switch. Italic numbers are switching code.

S21

EECO Voltage Divider (THUMB POT) 10-Position								
D I A L	Resistors in circuit between term. 2 & 5				Resistors in circuit between term. 8 & 11			
	4	2	1	2'	4	2	1	2'
	R1	R2	R3	R4	R1	R2	R3	R4
0					●	●	●	●
1			●		●	●		●
2		●			●		●	●
3			●	●	●	●		
4	●					●	●	●
5	●		●			●		●
6	●	●					●	●
7	●	●	●					●
8	●	●		●			●	
9	●	●	●	●				

Electrical Connections
(As Viewed from Rear)



NOTE: Numbers when viewed from rear will appear upside down.

THUMB POT® AVAILABLE OPTIONS

AVAILABLE OPTIONS

D	Decimal Point
M	Spray Matte Finish
P	+/- Dial Marking
R	Reverse Lighting - White Character, Black Background
T	Alphabet Marking
U	EMI/RFI Shielding
Y	Fast Mount Endpieces
	Stop Pins
	Custom Rotor Marking

INPUT RESISTANCE	SETTING ACCURACY (% OF FULL SCALE VOLTAGE)				
	1%	.5%	.25%	.1%	.05%
	APPLICABLE DASH NUMBERS				
100,000 ohms ± 1%	-01	-05	-09	-13	-17
50,000 ohms ± 1%	-29	-32	-35	-38	-41
10,000 ohms ± 1%	-02	-06	-10	-14	-18
5,000 ohms ± 1%	-30	-33	-36	-39	-42
1,000 ohms ± 1%	-03 ¹	-07 ¹	-11 ¹	-15 ¹	-19 ^{1,2}

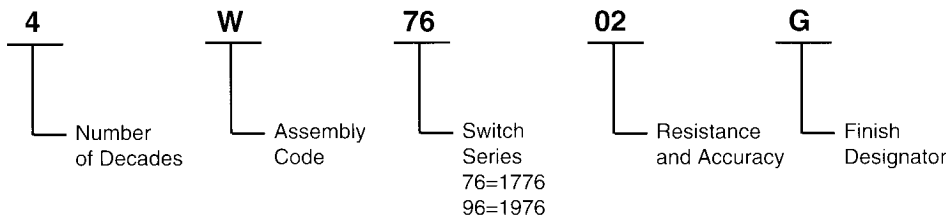
RESOLUTION (% of Input Voltage)	PART NO. PREFIX
1.0 (2 decades)	2W76 or 2W96
0.1 (3 decades)	3W76 or 3W96
0.01 (4 decades)	4W76 or 4W96

¹ Not available with 4W76 or 4W96

² Consult factory

³ Values given are for linearity as defined by VRCI-p-100A. "Terminal-based", "Zero-based" and "Independent" linearity specifications may be obtained from the factory.

ORDERING INFORMATION



EECO SWITCH DIVISION - Santa Ana
 1800 E. Wilshire Ave.
 Santa Ana, California 92705
 Phone: (714) 835-6000
 FAX: (714) 953-3747
 E-Mail: Sales @ EECOSwitch.com



EECO EUROPEAN SALES OFFICE
 Unit 1, Close Hall Farm
 Slate Hall, Lolworth
 Cambridge CB3 8HB, England
 Phone: (0) 1954-781818
 FAX: (0) 1954-789305
 E-Mail: 106030.3223 @ Compuserve.com