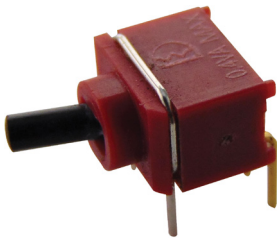


# Toggle Switches

## Ultra-Minature - Sealed

**multicomp** PRO

**RoHS  
Compliant**



### Specifications

Contact Rating : 0.4 Volt-Amps (VA) Max. at 20V AC or DC Max.  
 Mechanical Life : 40,000 make-and-break cycles.  
 Contact Resistance : Below 100mΩ typical at 2 to 4V DC, 100mA  
 Min. Insulation Resistance : 500MΩ  
 Dielectric Strength : 500V RMS at sea level  
 Operating Temperature : -30°C to 85°C

### Materials:

Actuator : Glass filled nylon 6/6, heat stabilized, with standard internal o-ring seal.  
 Housing and base : Glass filled nylon 66 or 4/6, heat stabilized.  
 Switch Support : Brass or steel, tin plated.

### Switch Function

Number of Poles	Model Number	Switch Function			Connected Terminals / Schematic		
		Position 1	Position 2	Position 3	Position 1	Position 2	Position 3
SP	2US1	On	None	On	5 - 6 4* 6	N/A	5 - 4
	2US2			Mom			5 4* 6
	2US3			Off			4* 6
DP	2UD1	On	None	On	2 - 3, 5 - 6 2 (Comm) 1* 3 4* 6	N/A	2 - 1, 5 - 4
	2UD2			Mom			2 (Comm)
	2UD3			Off			On

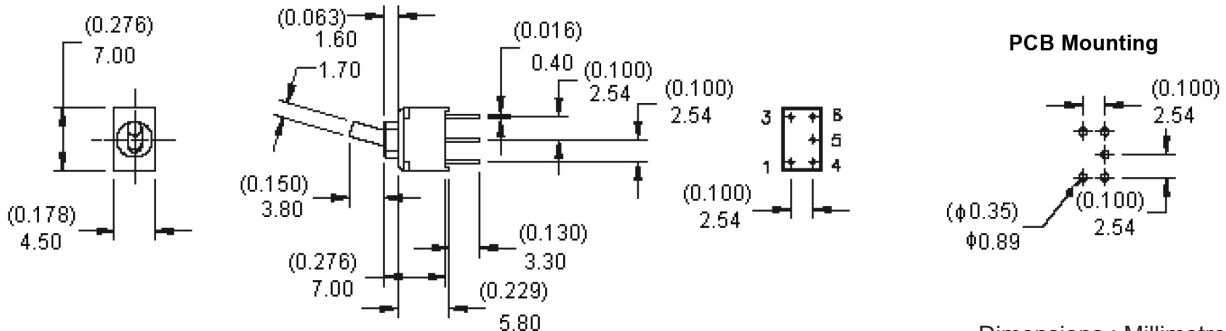
MOM = Momentary

### Pole Options

M2RE

SPDT

PCB Mounting



Dimensions : Millimetres (Inches)

Newark.com/multicomp-pro  
 Farnell.com/multicomp-pro  
 Element14.com/multicomp-pro

**multicomp** PRO

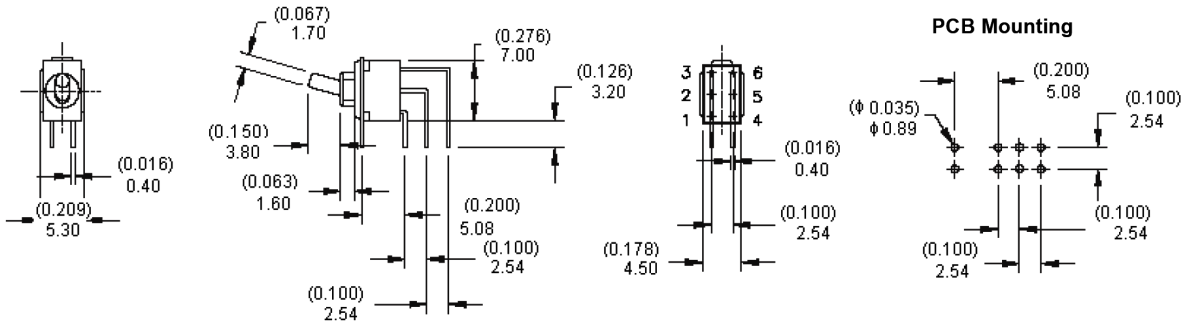
# Toggle Switches

## Ultra-Minature - Sealed

**multicomp** PRO

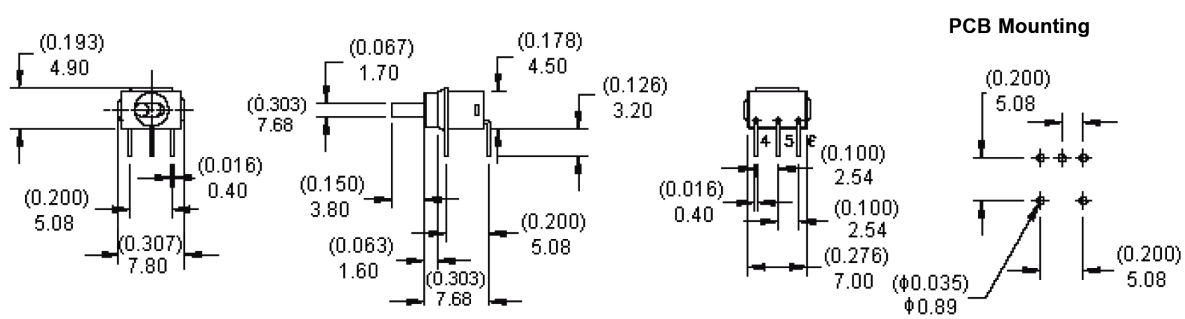
**M2RE**

**DPDT**



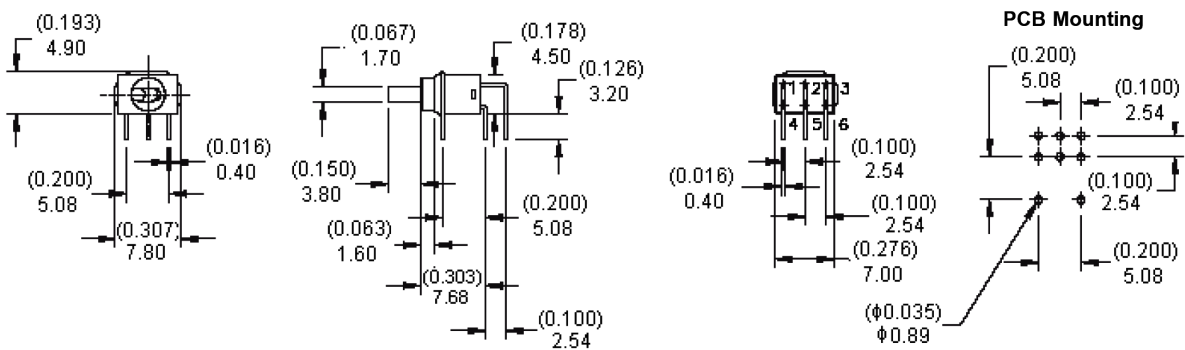
**M6RE**

**SPDT**



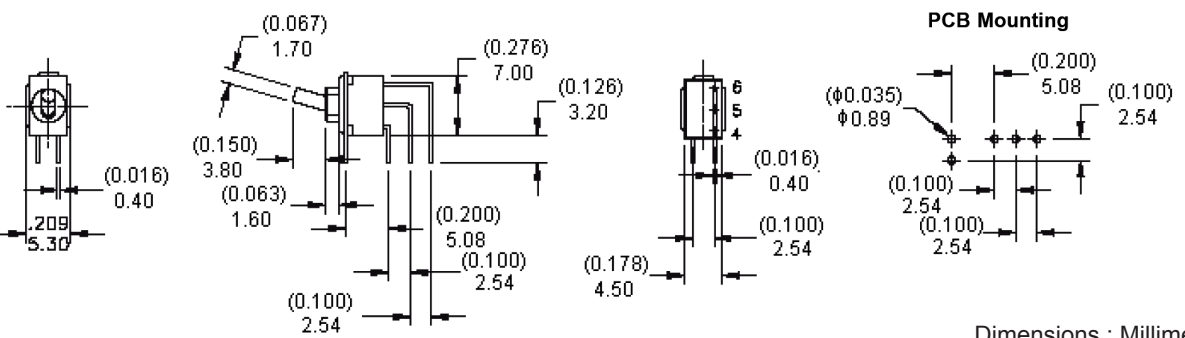
**M6RE**

**DPDT**



**M7RE**

**SPDT**



Dimensions : Millimetres (Inches)

Newark.com/multicomp-pro  
 Farnell.com/multicomp-pro  
 Element14.com/multicomp-pro

**multicomp** PRO

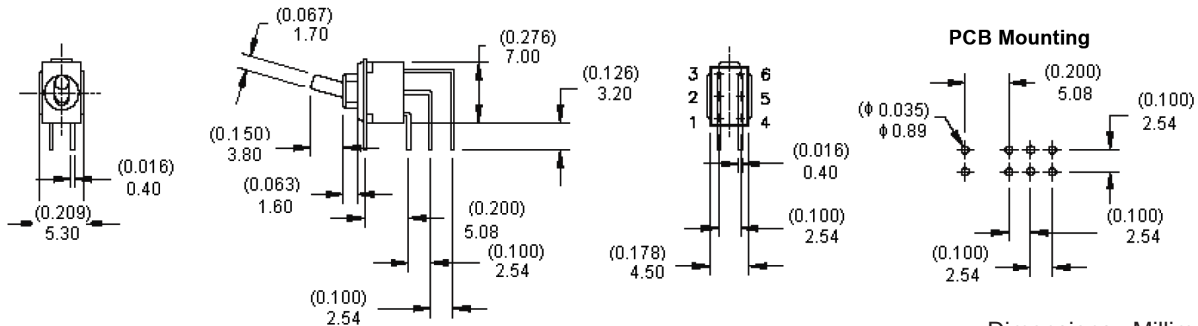
# Toggle Switches

## Ultra-Minature - Sealed

**multicomp** PRO

M7RE

SPDT



Dimensions : Millimetres (Inches)

### Soldering Process

Manual Soldering : Use soldering iron of 30 watts, controlled at 350°C approximately 5 seconds while applying solder.

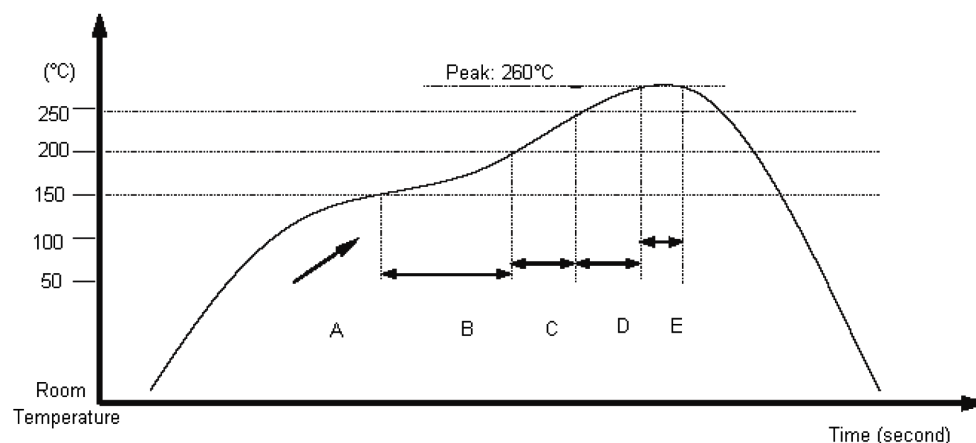
Wave Soldering

Recommended soldering temperature : 260 ±5°C.

Duration of solder immersion: Max. 5 s (PCB is 1.6mm in thickness).

Soldering : Vapour phase

Temperature Profile		
Zone	Room Temperature (°C)	Time (Seconds)
Pre-heat (A)	150°C	Minimum 120
Soak (B)	180°C to 200°C	Minimum 150
Peak (C)	200°C to 235°C	Minimum 30
Peak (D)	235°C to 260°C	Minimum 40
Peak (E)	260°C	Maximum 10



Newark.com/multicomp-pro  
 Farnell.com/multicomp-pro  
 Element14.com/multicomp-pro

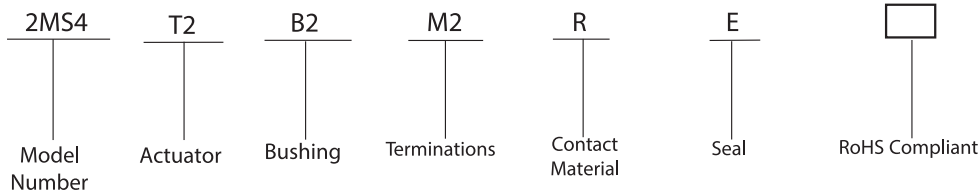
**multicomp** PRO

# Toggle Switches

## Ultra-Minature - Sealed

**multicomp** PRO

### Part Number Explanation



- Model Number : 2US1 = SP On-None-On, 2US2 = SP On-None-Mom, 2US3 = SP On-Off-On, 2UD1 = DP On-None-On, 2UD2 = DP On-None-Mom and 2UD3 = DP On-Off-On.
- Actuator : T1 = 3.80 High (std).
- Bushing : A1 = 1.60 High (std).
- Terminations : M2 = PVC Through Hole, M6 = Right Angle, PVC Through Hole and M7 = Vertical Right Angle, PVC Through Hole.
- Contact Material : R = Gold.
- Seal : E = Epoxy (std).

### Part Number Table

Description	Part Number
Switch, Ultraminiature, SPDT, On-Mom	2US2T1A1M2RE
Switch, Ultraminiature, SPDT, On-On	2US1T1A1M2RE
Switch, Ultraminiature, SPDT, On-Off-On	2US3T1A1M2RE
Switch, Ultraminiature, DPDT, On-Mom	2UD2T1A1M2RE
Switch, Ultraminiature, DPDT, On-On	2UD1T1A1M2RE
Switch, Ultraminiature, DPDT, On-Off-On	2UD3T1A1M2RE
Switch, Ultraminiature, Horizontal R/A, SPDT, On-Mom	2US2T1A1M6RE
Switch, Ultraminiature, Horizontal R/A, SPDT, On-On	2US1T1A1M6RE
Switch, Ultraminiature, Horizontal R/A, SPDT, On-Off-On	2US3T1A1M6RE
Switch, Ultraminiature, Horizontal R/A, DPDT, On-Mom	2UD2T1A1M6RE
Switch, Ultraminiature, Horizontal R/A, DPDT, On-On	2UD1T1A1M6RE
Switch, Ultraminiature, Horizontal R/A, DPDT, On-Off-On	2UD3T1A1M6RE
Switch, Ultraminiature, Vertical R/A, SPDT, On-Mom	2US2T1A1M7RE
Switch, Ultraminiature, Vertical R/A, SPDT, On-On	2US1T1A1M7RE
Switch, Ultraminiature, Vertical R/A, SPDT, On-Off-On	2US3T1A1M7RE
Switch, Ultraminiature, Vertical R/A, DPDT, On-Mom	2UD2T1A1M7RE
Switch, Ultraminiature, Vertical R/A, DPDT, On-On	2UD1T1A1M7RE
Switch, Ultraminiature, Vertical R/A, DPDT, On-Off-On	2UD3T1A1M7RE

**Important Notice :** This data sheet and its contents (the "Information") belong to the members of the AVNET group of companies (the "Group") or are licensed to it. No licence is granted for the use of it other than for information purposes in connection with the products to which it relates. No licence of any intellectual property rights is granted. The Information is subject to change without notice and replaces all data sheets previously supplied. The Information supplied is believed to be accurate but the Group assumes no responsibility for its accuracy or completeness, any error in or omission from it or for any use made of it. Users of this data sheet should check for themselves the Information and the suitability of the products for their purpose and not make any assumptions based on information included or omitted. Liability for loss or damage resulting from any reliance on the Information or use of it (including liability resulting from negligence or where the Group was aware of the possibility of such loss or damage arising) is excluded. This will not operate to limit or restrict the Group's liability for death or personal injury resulting from its negligence. Multicomp Pro is the registered trademark of Premier Farnell Limited 2019.

Newark.com/multicomp-pro  
 Farnell.com/multicomp-pro  
 Element14.com/multicomp-pro

**multicomp** PRO