

MICRO SWITCH

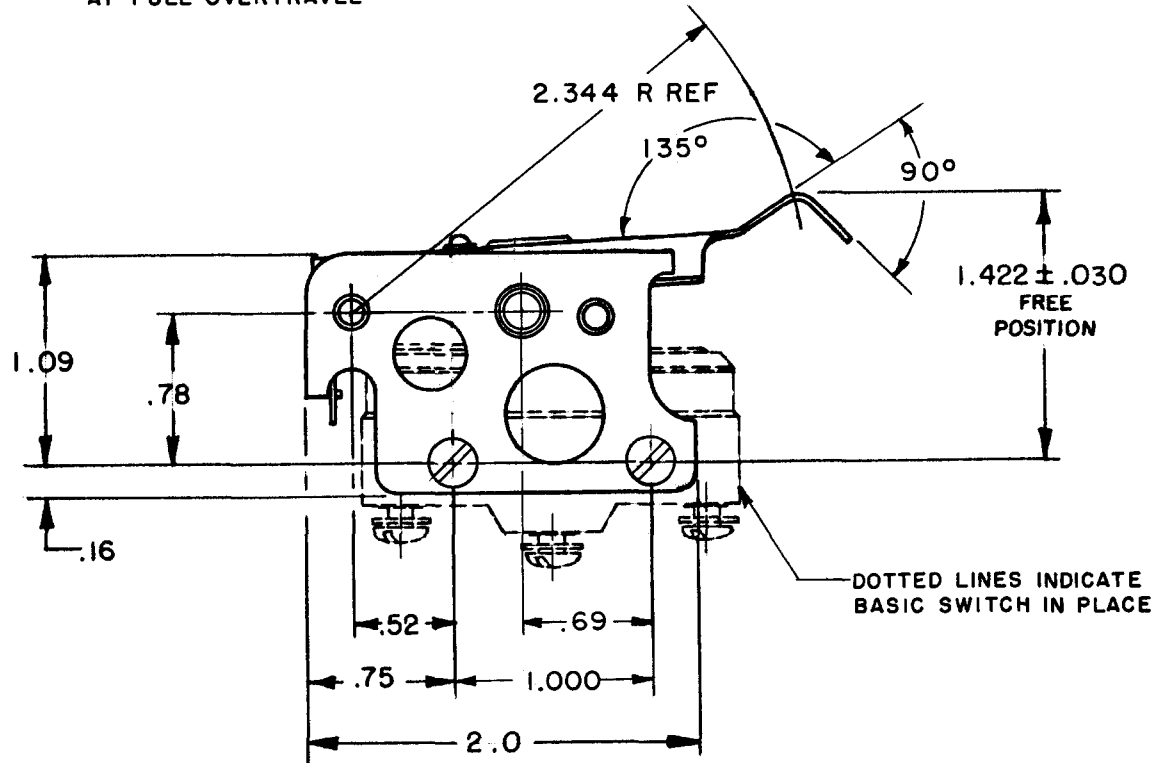
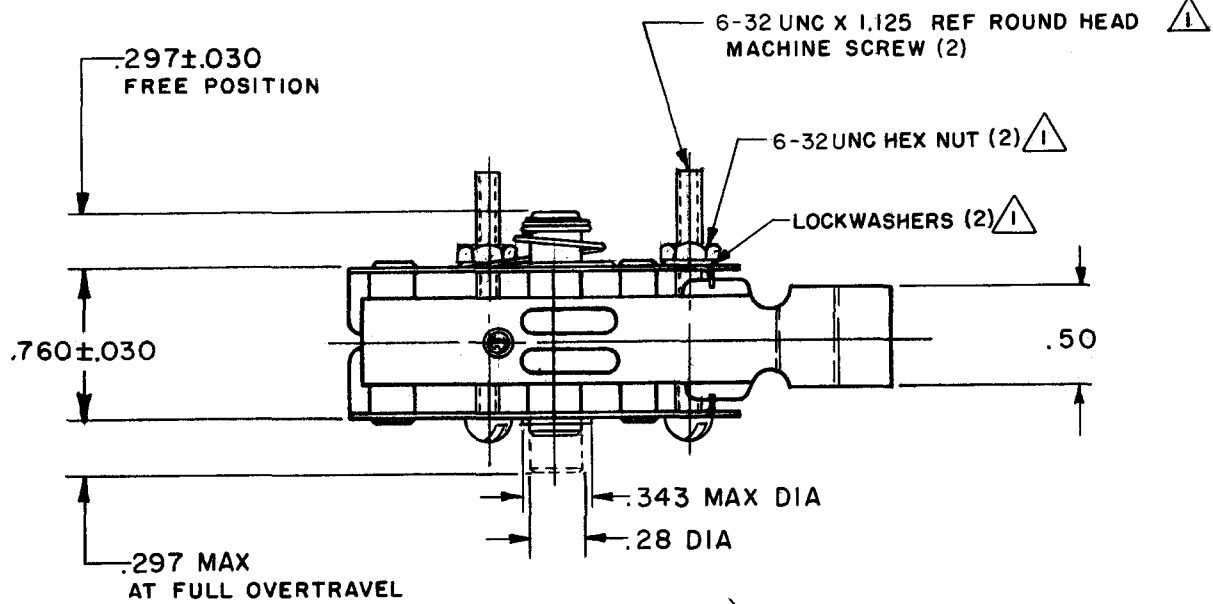
A DIVISION OF MINNEAPOLIS-HONEYWELL REGULATOR COMPANY
 FREEPORT, BLUMHOSE

FED. MFR. CODE 91929

SWITCH - ACTUATOR

CATALOG LISTING
2TT7-RH

2TT7-RH
 DRAWING NUMBER
 M
 ISSUE 2
 RELEASE NO. CO-84251
 REPLACES
 CHECK
 REVISIONS
 A CO-93123
 DLT
 5 MAY 98
 CHECK
 5 MAY 98
 JAF
 CHECK
 5 MAY 98
 DLT
 5 MAY 98
 FORMTEK
 DRAWN



NOTE -

- \triangle - FURNISHED UNASSEMBLED
- 2 - RIGHT HAND UNIT SHOWN, LEFT HAND UNIT HAS RELEASE ROD ON OPPOSITE SIDE
- 3 - SWITCH WILL PERFORM SATISFACTORILY IN TEMPERATURES TO MINUS 65° F

THIS DRAWING COVERS A PROPRIETARY ITEM AND IS THE PROPERTY OF MICRO SWITCH, A DIVISION OF MINNEAPOLIS-HONEYWELL REGULATOR CO. THIS DRAWING IS NOT TO BE COPIED OR USED WITHOUT THE APPROVAL OF MICRO SWITCH.

CHARACTERISTICS	WITH B2-R31 BASIC SWITCH INSTALLED
OPERATING FORCE	----- 1 LB MAX
OVERTRAVEL FORCE	----- 2 LB MAX
RELEASE FORCE	----- 1/4 LB MIN
PRETRAVEL	----- .188 MAX
DIFFERENTIAL TRAVEL	----- .025 MAX
OVERTRAVEL	----- .219 MIN
RESET CHARACTERISTICS	
RESET OPERATING FORCE	----- 4 LB MAX
RESET OVERTRAVEL	----- .060 MIN

ELECTRICAL DATA	
CONTACT ARRANGEMENT	BREAK DISTANCE

SCALE	FULL
DO NOT SCALE PRINT	
UNLESS OTHERWISE SPECIFIED	
DIMENSIONS ARE IN INCHES	
TOLERANCES ARE:	
ONE PLACE (.0)	±.030
TWO PLACE (.00)	±.015
THREE PLACE (.000)	±.005
ANGLES	±
WEIGHT	.11 LB LESS BASIC SWITCH