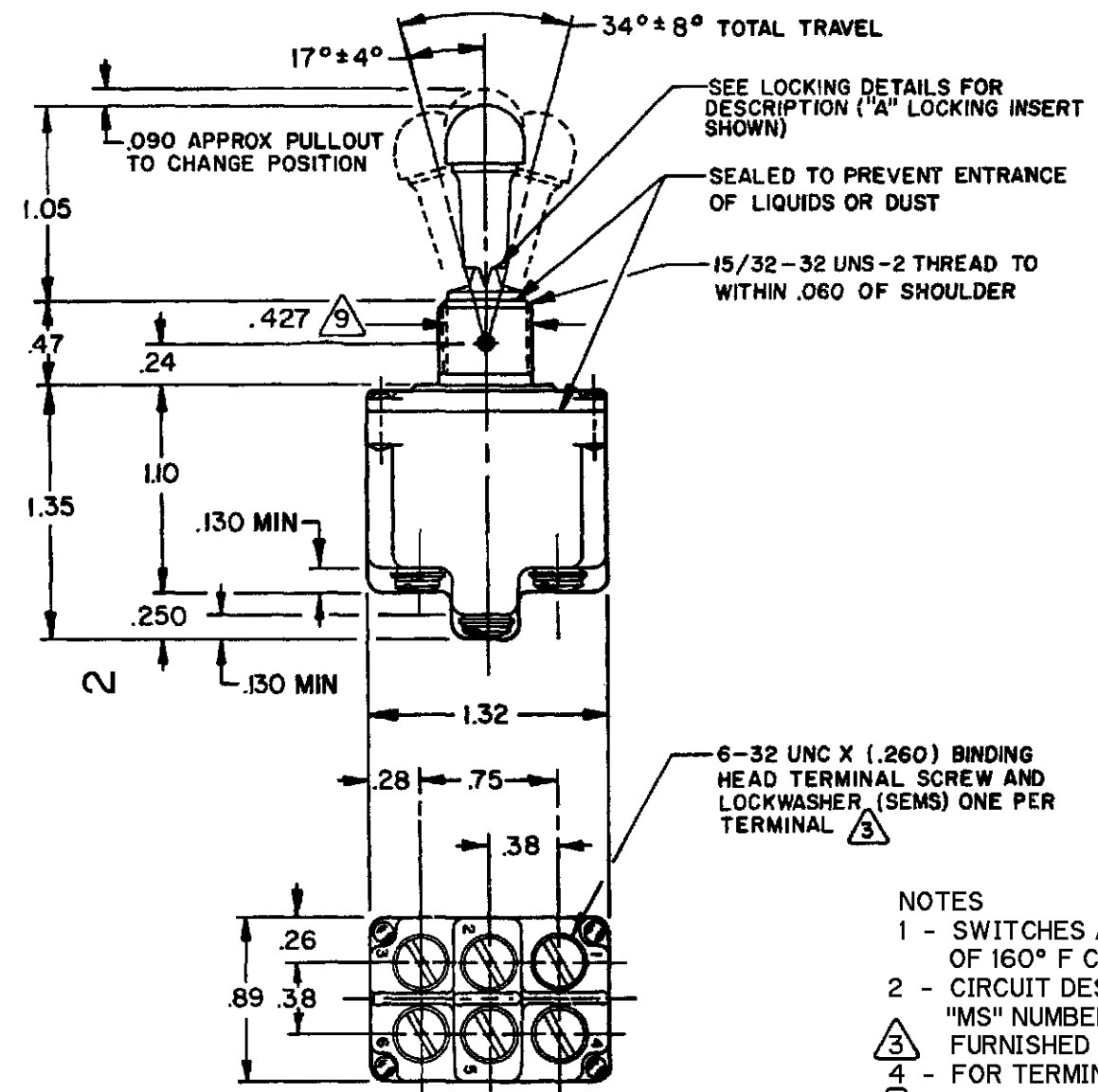
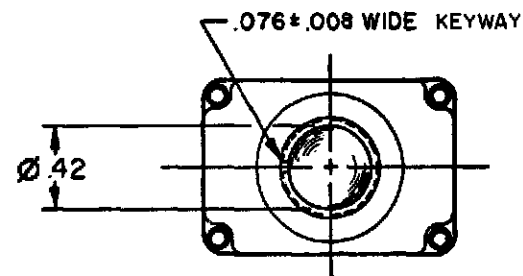


MICRO SWITCH
 a Honeywell Division
 FED. MFG. CODE 91929

SWITCH-TOGGLE

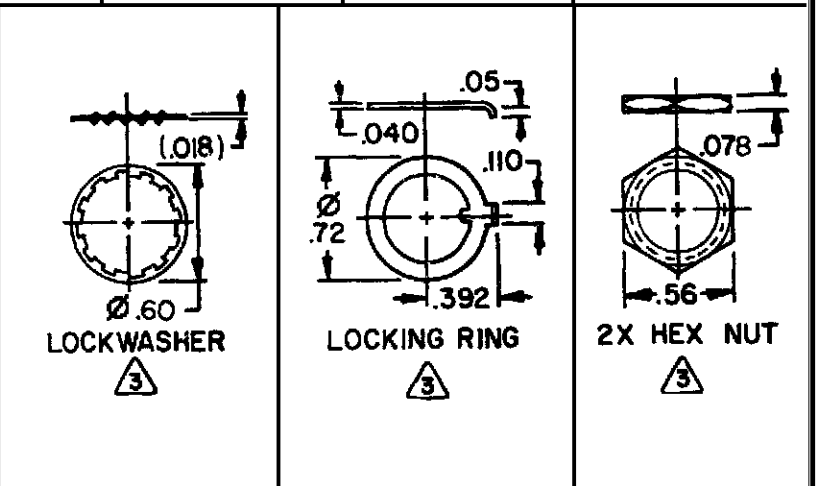
CATALOG LISTING
2TL887 SERIES
CHART 2

THIS DRAWING COVERS A PROPRIETARY ITEM AND IS THE PROPERTY OF MICRO SWITCH, A DIVISION OF HONEYWELL. THIS DRAWING IS NOT TO BE COPIED OR USED WITHOUT THE APPROVAL OF MICRO SWITCH



CATALOG LISTING	AVAILABLE LOCKING COMBINATIONS FOR CONFIGURATION SEE LETTERED DETAILS	CIRCUIT MADE WITH TOGGLE LEVER IN			MILITARY RATING (AMPS)								
		KEYWAY SIDE (1-2, 4-5)	CENTER (1-2, 4-5)	OPPOSITE KEYWAY (2-3, 5-6)	RESISTIVE LOAD				INDUCTIVE LOAD				
					DC VOLTS	AC VOLTS	LAMP LOAD	INDUCTIVE LOAD	DC VOLTS	AC VOLTS	LAMP LOAD	INDUCTIVE LOAD	
2TL887-1	A,B,D,E,F,G,H,J,K,L,M,N,P	ON	OFF	ON	28	125	250	125	250	28	125	28	125
2TL887-2	D, F, G	OFF	NONE	ON	20	.75	.5	15	6	7	4	15	15
2TL887-3	D, F, G	ON	NONE	ON	(REF TO L191 FOR UL RATING)								
2TL887-21	E, F, K, M	NONE	OFF	ON									
2TL887-31	E, F, K, M	NONE	ON	ON									
2TL887-4	F	MOM OFF	NONE	ON									
2TL887-5	E, F, K, L, M, N	MOM ON	OFF	ON									
2TL887-6	F	MOM ON	NONE	OFF									
2TL887-7	E, L, N	MOM ON	OFF	MOM ON	18	.75	.5	11	6	5	2	10	8
2TL887-8	F	MOM ON	NONE	ON	(REF TO L192 FOR UL RATING)								
2TL887-51	E	NONE	ON	MOM ON									
2TL887-61	E	MOM ON	OFF	NONE									

"A" LOCKED IN THREE POSITIONS	"B" LOCKED IN CENTER AND EXTREME POSITION (KEYWAY SIDE)	"D" LOCKED OUT OF CENTER POSITION	"E" LOCKED IN CENTER POSITION	"F" LOCKED IN EXTREME POSITION (OPPOSITE KEYWAY)	"G" LOCKED IN EXTREME POSITION (KEYWAY SIDE)	"H" LOCKED OUT OF CENTER AND EXTREME POSITION (KEYWAY SIDE)
"J" LOCKED OUT OF CENTER AND EXTREME POSITION (OPPOSITE KEYWAY)	"K" LOCKED IN CENTER AND EXTREME POSITION (OPPOSITE KEYWAY)	"L" LOCKED OUT OF EXTREME POSITION (KEYWAY SIDE)	"M" LOCKED OUT OF AND INTO EXTREME POSITION (OPPOSITE KEYWAY)	"N" LOCKED OUT OF EXTREME POSITION (OPPOSITE KEYWAY)	"P" LOCKED OUT OF AND INTO EXTREME POSITION (KEYWAY SIDE)	



- NOTES
- SWITCHES ARE CAPABLE OF WITHSTANDING A TEMPERATURE OF 160° F CONTINUOUSLY AT FULL RATED LOAD
 - CIRCUIT DESIGNATION, MICRO SWITCH CATALOG LISTING AND "MS" NUMBER MARKED ON SIDE OF SWITCH
 - FURNISHED UNASSEMBLED
 - FOR TERMINAL COVER SEE MICRO SWITCH CATALOG LISTING 5PA8
 - KEYWAY SHOWN ON LEFT SIDE
 - SUFFIX LETTER MUST BE ADDED FOR DESIRED TYPE OF TOGGLE LOCKING. SEE CHART FOR AVAILABLE LOCKING COMBINATIONS
 - APPLIES ONLY TO "ON" AND "MOMENTARY ON" POSITIONS
 - CONFORMS TO REQUIREMENTS OF MIL-DTL-3950 EXCEPT: GOLD PLATED CONTACTS FROM BOTTOM OF KEYWAY TO MAJOR DIA OF 15/32 THREAD
 - GOLD PLATED CONTACTS

L191 15A 125, 250, 277 VAC
 1/2HP 125 VAC
 1HP 250, 277 VAC
 5A 125 VAC "L"

L192 10A 125, 250, 277 VAC
 1/4HP 125 VAC,
 1/2HP 250, 277 VAC
 3A 125 VAC "L"

THIRD ANGLE PROJECTION
 SCALE FULL
 DO NOT SCALE PRINT
 UNLESS OTHERWISE SPECIFIED TOLERANCES ARE
 ONE PLACE (.0) ±.030
 TWO PLACE (.00) ±.015
 THREE PLACE (.000) ±.005
 ANGLES ±
 WEIGHT .15 LB APPROX