

# MICRO SWITCH

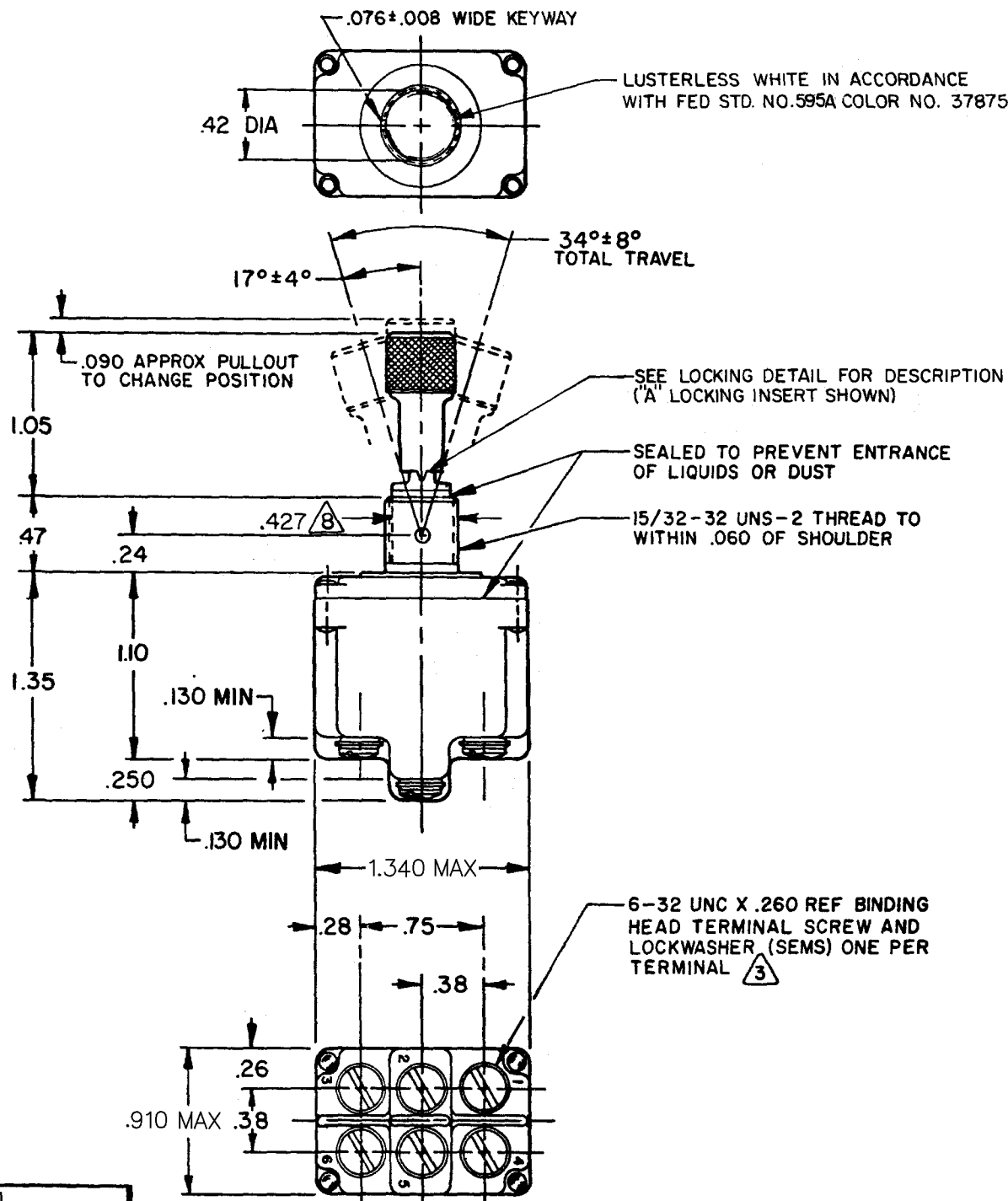
FREEPORT, ILLINOIS, U.S.A.  
A DIVISION OF HONEYWELL  
FED. MFG. CODE 91929

# SWITCH-TOGGLE

## CATALOG LISTING 2TL49 SERIES CHART 1

MILITARY STANDARD NUMBER	CATALOG LISTING	AVAILABLE LOCKING COMBINATIONS FOR CONFIGURATION SEE LETTERED DETAILS	CIRCUIT MADE WITH TOGGLE LEVER IN			MILITARY RATING (AMPS)												
			KEYWAY SIDE (1-2, 4-5)	CENTER (1-2, 4-5)	OPPOSITE KEYWAY (2-3, 5-6)	RESISTIVE LOAD DC VOLTS		LAMP LOAD AC VOLTS		INDUCTIVE LOAD AC VOLTS								
			28	125	250	125	250	28 VDC	125 VAC	28 VDC	125 VAC							
	2TL49-1	A,B,D,E,F,G,H,J,K,L,M,N,P	ON	OFF	ON													
	2TL49-2	D, F, G	OFF	NONE	ON													
	2TL49-3	D, F, G	ON	NONE	ON	20	.75	.5	15	6	7	4	15	15	(REFER TO LI91 FOR UL RATING)			
	2TL49-21	E, F, K, M	NONE	OFF	ON													
	2TL49-31	E, F, K, M	NONE	ON	ON													
	2TL49-4	F	MOM OFF	NONE	ON													
	2TL49-5	E, F, K, L, M, N	MOM ON	OFF	ON													
	2TL49-6	F	MOM ON	NONE	OFF													
	2TL49-7	E, L, N	MOM ON	OFF	MOM ON	18	.75	.5	11	6	5	2	10	8	(REFER TO LI92 FOR UL RATING)			
	2TL49-8	F	MOM ON	NONE	ON													
	2TL49-51	E	NONE	ON	MOM ON													
	2TL49-61	E	MOM ON	OFF	NONE													

THIS DRAWING COVERS A PROPRIETARY ITEM AND IS THE PROPERTY OF MICRO SWITCH. A DIVISION OF HONEYWELL. THIS DRAWING IS NOT TO BE COPIED OR USED WITHOUT THE APPROVAL OF MICRO SWITCH.



"A"	"B"	"D"	"E"	"F"	LOCKWASHER
LOCKED IN THREE POSITIONS	LOCKED IN CENTER AND EXTREME POSITION (KEYWAY SIDE)	LOCKED OUT OF CENTER POSITION	LOCKED IN CENTER POSITION	LOCKED IN EXTREME POSITION (OPPOSITE KEYWAY)	LOCKWASHER
LOCKED IN EXTREME POSITION (KEYWAY SIDE)	LOCKED OUT OF CENTER AND EXTREME POSITION (KEYWAY SIDE)	LOCKED OUT OF CENTER AND EXTREME POSITION (OPPOSITE KEYWAY)	LOCKED IN CENTER AND EXTREME POSITION (OPPOSITE KEYWAY)	LOCKED OUT OF EXTREME POSITION (KEYWAY SIDE)	LOCKING RING
LOCKED OUT OF AND INTO EXTREME POSITION (OPPOSITE KEYWAY)	LOCKED OUT OF EXTREME POSITION (OPPOSITE KEYWAY)	LOCKED OUT OF AND INTO EXTREME POSITION (KEYWAY SIDE)			HEX NUT (2)

- NOTES**
- SWITCHES ARE CAPABLE OF WITHSTANDING A TEMPERATURE OF 160°F CONTINUOUSLY AT FULL RATED LOAD
  - CIRCUIT DESIGNATION AND MICRO SWITCH CATALOG LISTING MARKED ON SIDE OF SWITCH
  - FURNISHED UNASSEMBLED
  - FOR TERMINAL COVER SEE MICRO SWITCH CAT. LIST. 5PA8
  - KEYWAY SHOWN ON LEFT SIDE
  - SUFFIX LETTER MUST BE ADDED FOR DESIRED TYPE OF TOGGLE LOCKING, SEE CHART FOR AVAILABLE LOCKING COMBINATIONS
  - APPLIES ONLY TO "ON" AND "MOMENTARY ON" POSITIONS
  - FROM BOTTOM OF KEYWAY TO MAJOR DIA. OF 15/32 THREAD

SCALE FULL  
DO NOT SCALE PRINT  
UNLESS OTHERWISE NOTED  
DIMENSIONS ARE IN INCHES  
TOLERANCES ARE:  
ONE PLACE (.0) ±.030  
TWO PLACE (.00) ±.015  
THREE PLACE (.000) ±.005  
ANGLES ±.015  
WEIGHT .15 LBS APPROX

CODE LI91 15A-125, 250, 277 VAC  
1/2 HP-125 VAC, 1 HP-250, 277 VAC  
5A-125 VAC "L"

CODE LI92 10A-125, 250, 277 VAC  
1/4 HP-125 VAC, 1/2 HP-250, 277 VAC  
3A-125 VAC "L"

CATALOG LISTING 2TL49 SERIES CHART 1  
 PAGE 1 OF 1  
 ISSUE 4  
 REVISIONS:  
 A CO 78047 SAD 23 AUG 94  
 B C094438 G J W 23 NOV 99  
 C 0003037 TSG 06 FEB 04  
 FORMTEK  
 DRAWN TSM 9 JUN 94  
 CHECK KAG 7 JUL 94  
 CHECK MDM 06 FEB 04  
 CHECK KAG 7 JUL 94  
 CHECK MDM 06 FEB 04  
 REPLACES RELEASE NO. CO-78497