

MICRO SWITCH
 FREEPORT ILLINOIS U.S.A.
 A DIVISION OF HONEYWELL
 FED. MFG. CODE 91929

SWITCH-TOGGLE

CATALOG LISTING
2TL28 SERIES
CHART 1

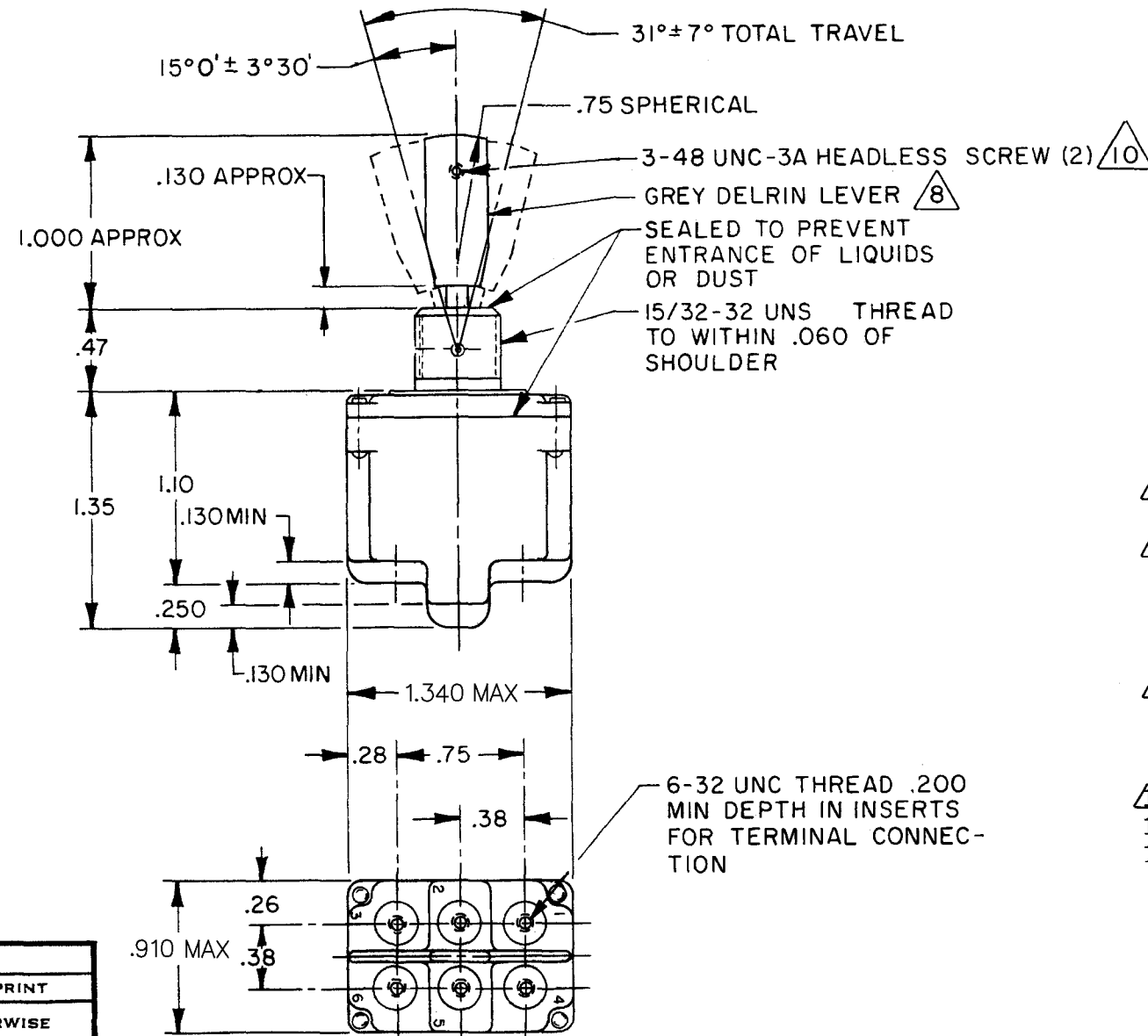
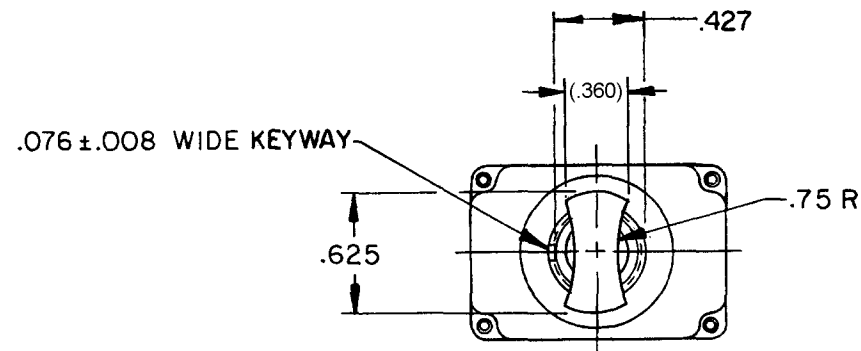
CATALOG LISTING

KEYWAY SIDE (1-2,4-5)	CIRCUIT MADE WITH TOGGLE LEVER IN	
	CENTER (1-2,4-5)	OPPOSITE KEYWAY (2-3,5-6)

CURRENT CAPACITY (AMPS)

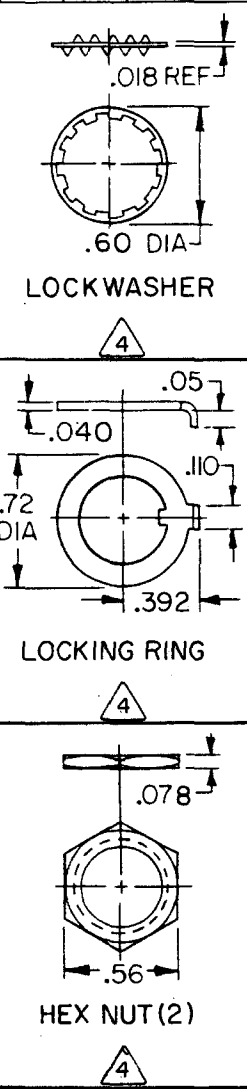
RESISTIVE LOAD DC VOLTS		LOAD AC VOLTS			LAMP LOAD		INDUCTIVE LOAD	
28	125	250	125	250	28 VDC	125 VAC	28 VDC	125 VAC

THIS DRAWING COVERS A PROPRIETARY ITEM AND IS THE PROPERTY OF MICRO SWITCH, A DIVISION OF HONEYWELL. THIS DRAWING IS NOT TO BE COPIED OR USED WITHOUT THE APPROVAL OF MICRO SWITCH.



NOTES

- SWITCHES ARE CAPABLE OF WITHSTANDING A TEMPERATURE OF 160°F CONTINUOUSLY AT FULL RATED LOAD
- CIRCUIT DESIGNATION, MICRO SWITCH CATALOG LISTING MARKED ON SIDES OF SWITCH
- FOR TERMINAL COVER SEE MICRO SWITCH CATALOG LISTING 5PA8
- FURNISHED UNASSEMBLED
- APPLIES ONLY TO "ON" AND "MOM ON" POSITIONS
- TOGGLE LEVER WILL WITHSTAND 20 LB LOAD APPLIED TO THE TIP COAXIALLY WITH THE LEVER AXIS TOWARD THE LEVER PIVOT THROUGH THE ENTIRE RANGE OF TRAVEL
- GRAY DELRIN LEVER ATTACHED TO MAIN TOGGLE LEVER BY 8-32 UNC THREAD AND HELD IN POSITION BY 3-48 UNC 3A HEADLESS SCREW (2)
- DELRIN LEVER IS REMOVABLE
- .050 HEXAGONAL SOCKET
- THIS SWITCH IS RESISTANT TO "JP" FUELS
- 6-32 UNC X .280 REF PAN HEAD TERMINAL SCREWS, SPRING LOCKWASHERS, AND WASHER (SEMS) FURNISHED UNASSEMBLED (6)



CATALOG LISTING
2TL28 SERIES
CHART 1
 PAGE 1 OF 1
 RELEASE NO. PR-11437
 REPLACES
 DRAWING NUMBER
M
 ISSUE
14
 REVISIONS
 A OBS 030794
 6 JK JULY 72
 B RE-INST PR 11437
 TSK 29 JULY 82
 C 58379-B
 8 J.J. 8 SEPT 86
 D 75838
 J.D.B. 15 JULY 93
 E C.O. 78047
 S.A.D. 23 AUG 94
 F C094438
 G.J.W. 23 NOV 99
 G 0003037
 TSG 06 FEB 04
 H 0010749
 B.M. 15 FEB 05
 DRAWN
FORMTEK
 FO-52851-A
 TSK 29 JULY 82
 CEB 4 AUG 82
 CHECK
 SCALE FULL
 DO NOT SCALE PRINT
 UNLESS OTHERWISE NOTED
 DIMENSIONS ARE IN INCHES
TOLERANCES ARE:
 ONE PLACE (.01) H .030
 TWO PLACE (.00) H .015
 THREE PLACE (.000) H .005
 ANGLES H .015
 WEIGHT .12 LB APPROX
 CODE L191 15A-125,250,277 VAC
 1/2 HP-125 VAC, 1 HP-250,277 VAC
 5A-125 VAC "L"
 CODE L192 10A-125,250,277 VAC
 1/4 HP-125 VAC, 1/2 HP-250,277 VAC
 3A-125 VAC "L"