

**MICRO SWITCH**

FREEPORT, ILLINOIS, U.S.A.  
A DIVISION OF HONEYWELL  
FED. MFG. CODE 91929

**SWITCH-TOGGLE**

CATALOG LISTING  
**2TL1-56 SERIES**  
CHART 1

MILITARY STANDARD NUMBER	CATALOG LISTING	AVAILABLE LOCKING COMBINATIONS FOR CONFIGURATION SEE LETTERED DETAILS	STYLE NUMBER	MILITARY RATING (AMPS)								
				RESISTIVE LOAD				LAMP LOAD		INDUCTIVE LOAD		
				DC VOLTS	AC VOLTS	250	125	250	28 VDC	125 VAC	28 VDC	125 VAC
27407-2	2TL1-56	NONE	1	28	125	250	125	250	28 VDC	125 VAC	28 VDC	125 VAC
27408-2	2TL1-56	E, F, K, L, M, N	2	18	.75	.5	11	6	5	2	10	8

THIS DRAWING COVERS A PROPRIETARY ITEM AND IS THE PROPERTY OF MICRO SWITCH. A DIVISION OF HONEYWELL. THIS DRAWING IS NOT TO BE COPIED OR USED WITHOUT THE APPROVAL OF MICRO SWITCH.

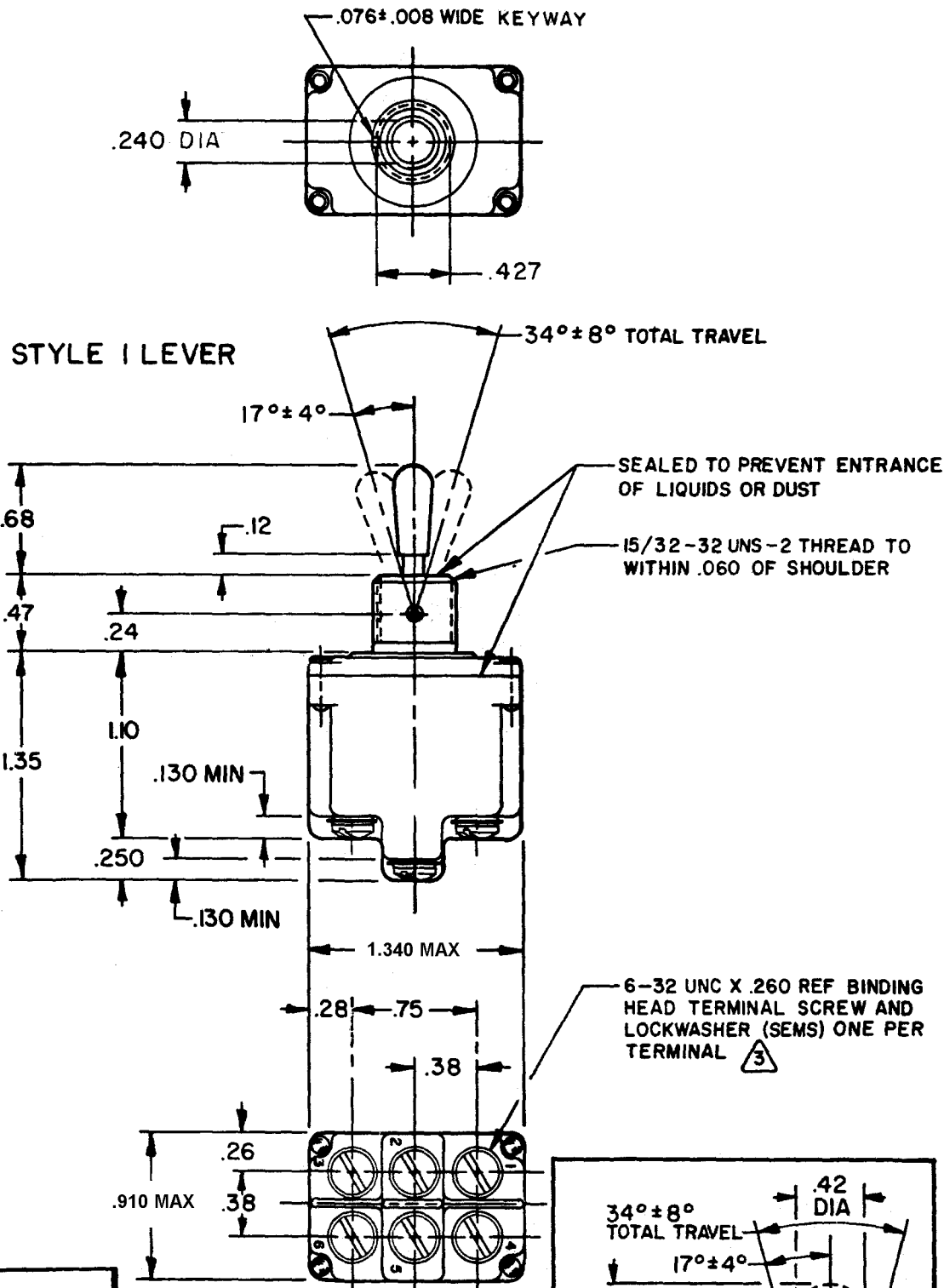
CATALOG LISTING  
**2TL1-56 SERIES CHART 1**  
PAGE 1 OF 1  
RELEASE NO. CO-78465  
REPLACES 2TL1-56 SERIES

ISSUE  
**M**  
4

REVISIONS

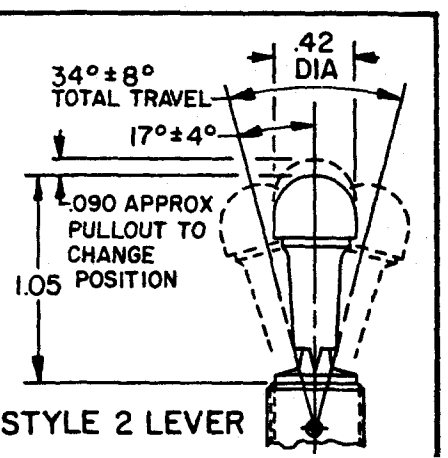
A	CO-78047	SAD	20 AUG 94
B	CO-94432	C.S.L.	23 NOV 99
C	0003011	KRB	06 FEB 04

CHECK 06 FEB 04  
CHECK 23 JUN 94  
CHECK 10 JUN 94



SCALE FULL  
DO NOT SCALE PRINT  
UNLESS OTHERWISE NOTED  
DIMENSIONS ARE IN INCHES  
**TOLERANCES ARE:**  
ONE PLACE (.0) ±.030  
TWO PLACE (.00) ±.015  
THREE PLACE (.000) ±.005  
ANGLES  
WEIGHT .15 LB APPROX

10A-125, 250 OR 277V/C  
1/4HP-125VAC; 1/2HP-250, 277VAC  
3A-125VAC "L" CODE L192



"A"	"B"	"D"	"E"	"F"	.018 REF LOCKWASHER .60 DIA LOCKING RING HEX NUT (2)
LOCKED IN THREE POSITIONS	LOCKED IN CENTER AND EXTREME POSITION (KEYWAY SIDE)	LOCKED OUT OF CENTER POSITION	LOCKED IN CENTER POSITION	LOCKED IN EXTREME POSITION (OPPOSITE KEYWAY)	
"G"	"H"	"J"	"K"	"L"	.05 .040 .110 72 DIA .392
LOCKED IN EXTREME POSITION (KEYWAY SIDE)	LOCKED OUT OF CENTER AND EXTREME POSITION (KEYWAY SIDE)	LOCKED OUT OF CENTER AND EXTREME POSITION (OPPOSITE KEYWAY)	LOCKED IN CENTER AND EXTREME POSITION (OPPOSITE KEYWAY)	LOCKED OUT OF EXTREME POSITION (KEYWAY SIDE)	
"M"	"N"	"P"	CIRCUIT MADE WITH TOGGLE LEVER IN		
LOCKED OUT OF AND INTO EXTREME POSITION (OPPOSITE KEYWAY)	LOCKED OUT OF EXTREME POSITION (OPPOSITE KEYWAY)	LOCKED OUT OF AND INTO EXTREME POSITION (KEYWAY SIDE)	KEYWAY SIDE	CENTER	OPPOSITE KEYWAY
MOMENTARY POSITION			MAINTAINED POSITION		

- NOTES**
- SWITCHES ARE CAPABLE OF WITHSTANDING A TEMPERATURE OF 160°F CONTINUOUSLY AT FULL RATED LOAD
  - CIRCUIT DESIGNATION, MICRO SWITCH CATALOG LISTING AND MS NUMBER MARKED ON SIDE OF SWITCH
  - FURNISHED UNASSEMBLED
  - FOR TERMINAL COVER SEE MICRO SWITCH CAT. LIST. 5PA8
  - KEYWAY SHOWN ON LEFT SIDE
  - SUFFIX LETTER MUST BE ADDED FOR DESIRED TYPE OF TOGGLE LOCKING. SEE CHART FOR AVAILABLE LOCKING COMBINATIONS
  - THESE SWITCHES ARE QUALIFIED UNDER MIL-S-3950

FORMTEK  
DRAWN

KDR 10 JUN 94

CHECK 10 JUN 94

KAG 23 JUN 94

CHECK 23 JUN 94

MDM 06 FEB 04

CHECK 06 FEB 04