

**MICRO SWITCH**

FREEPORT ILLINOIS U.S.A.  
A DIVISION OF HONEYWELL

FED MFG CODE 91929

**SWITCH-TOGGLE**

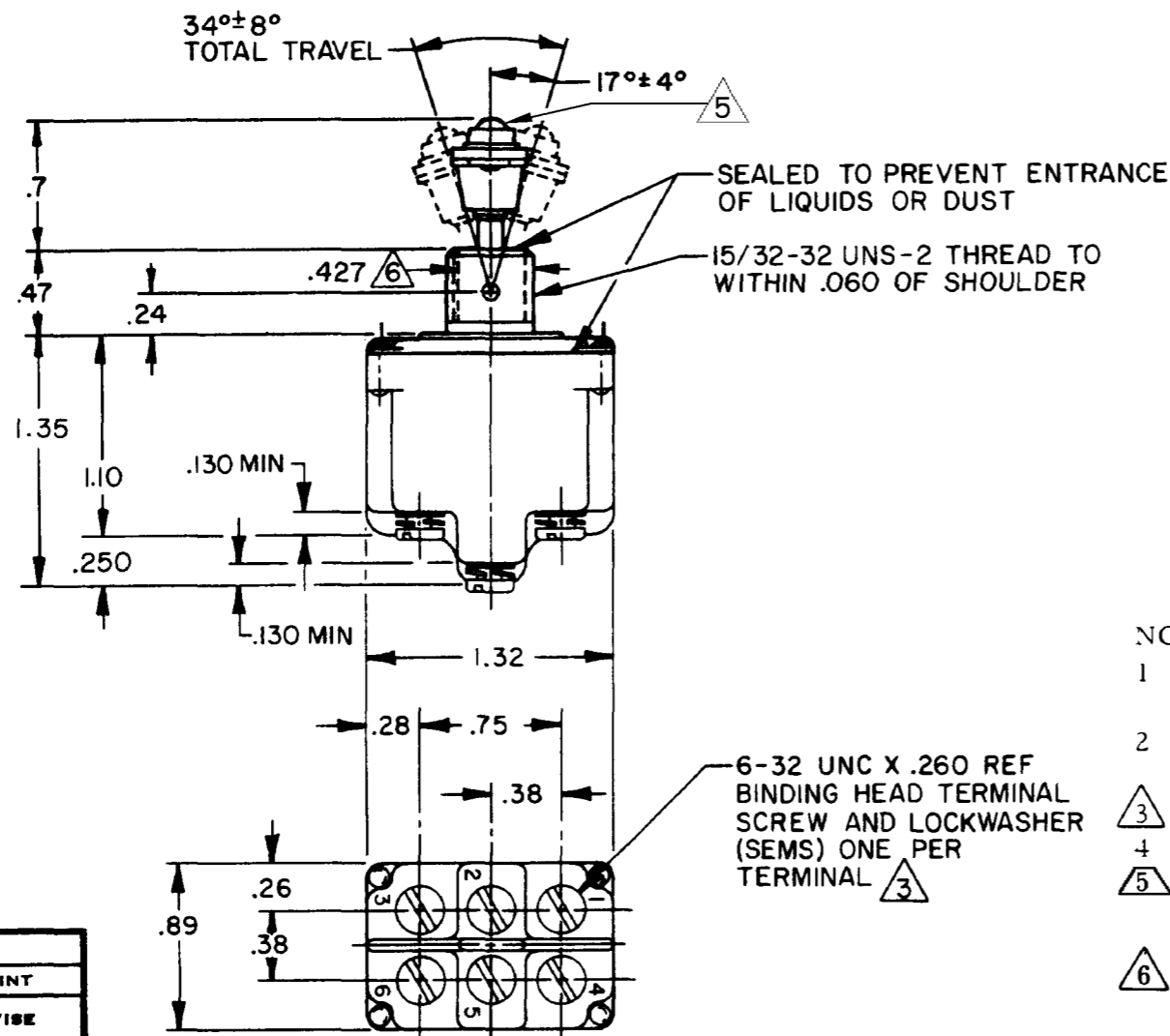
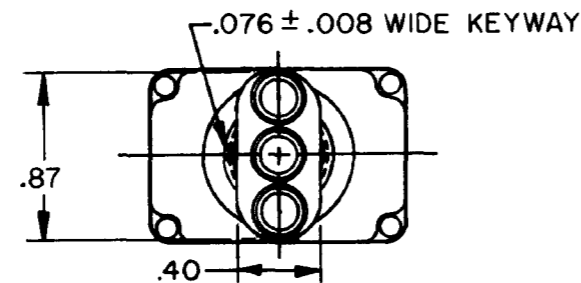
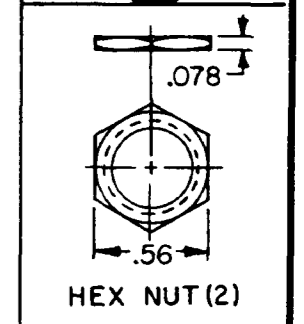
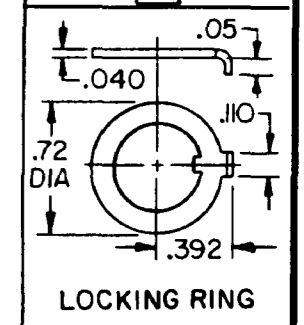
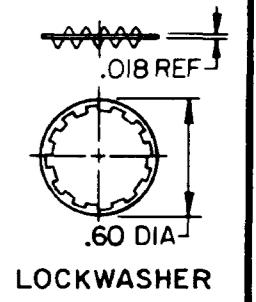
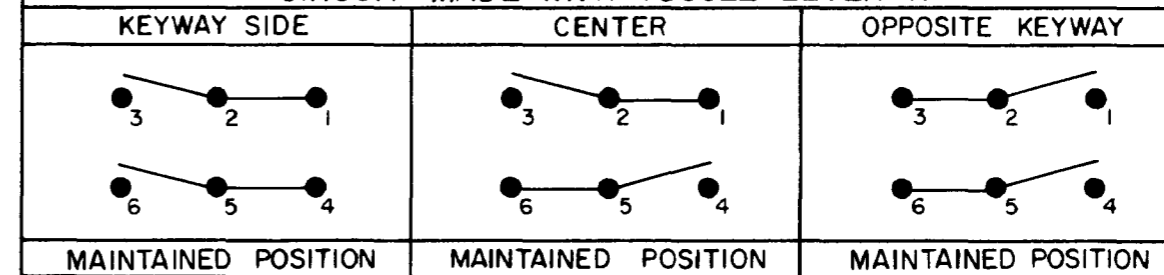
CATALOG LISTING  
**2TL133-10**

**CURRENT CAPACITY (AMPS)**

RESISTIVE LOAD DC VOLTS			LOAD AC VOLTS			LAMP LOAD		INDUCTIVE LOAD	
28	125	250	125	250	28 VDC	125 VAC	28 VDC	125 VAC	
20	.75	.5	15	6	7	4	15	15	

THIS DRAWING COVERS A PROPRIETARY ITEM AND IS THE PROPERTY OF MICRO SWITCH, A DIVISION OF HONEYWELL. THIS DRAWING IS NOT TO BE COPIED OR USED WITHOUT THE APPROVAL OF MICRO SWITCH.

**CIRCUIT MADE WITH TOGGLE LEVER IN**



**NOTES**

- 1 - SWITCHES ARE CAPABLE OF WITHSTANDING A TEMPERATURE OF 160°F CONTINUOUSLY AT FULL RATED LOAD
- 2 - CIRCUIT DESIGNATION AND MICRO SWITCH CATALOG LISTING MARKED ON SIDE OF SWITCH
- 3 - FURNISHED UNASSEMBLED
- 4 - FOR TERMINAL COVER SEE MICRO SWITCH CAT. LIST. 5PA8
- 5 - ULTRAVIOLET LIGHT SENSITIVE BLUE/GREEN FLUORESCENT CAP IS ATTACHED TO LEVER BY A LOCKING TYPE INTERNAL THREAD. LEVER CAP FURNISHED UNASSEMBLED
- 6 - FROM BOTTOM OF KEYWAY TO MAJOR DIA. OF 15/32 THREAD

DRAWING NUMBER: 2TL133-10  
 PAGE 1 OF 1  
 RELEASE NO: PR-14442  
 ISSUE: 11  
 REVISIONS:  
 A OBS CO47730 SMA 5 JUNE 80  
 B RE-INST PR14442 7 SK 30 DEC 85  
 C OBS DWG CO73547 1 OCT 92  
 D RE-INST PR-23189 13 JAN 97  
 E C094433 6 J W 23 NOV 99  
 F 200061 J J A 22 FEB 00  
 G 204128 KED 10 OCT 01  
 H 206396 C S L 9 SEP 02  
 TSK 30 DEC 85  
 DRAWN: RASTER FO-52851-A  
 CHECK: KAG 2 JAN 86  
 CHECK: KAG 2 JAN 86

SCALE FULL  
DO NOT SCALE PRINT  
UNLESS OTHERWISE NOTED  
DIMENSIONS ARE IN INCHES  
**TOLERANCES ARE:**  
 ONE PLACE (.01) ± .030  
 TWO PLACE (.00) ± .015  
 THREE PLACE (.000) ± .005  
 ANGLES ± .005  
 WEIGHT .12 LB APPROX

15A 125, 250, 277 VAC  
 1/2 HP 125 VAC;  
 1 HP 250, 277 VAC  
 5A 125 VAC "L"  
 L191  
 CE