

MICRO SWITCH
a Honeywell Division

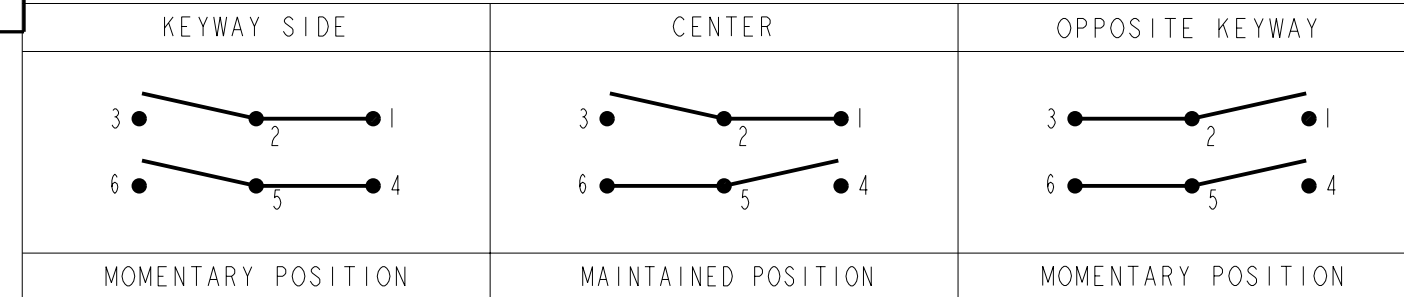
FED. MFG. CODE 91929

SWITCH - TOGGLE

CATALOG LISTING
2NT889-70

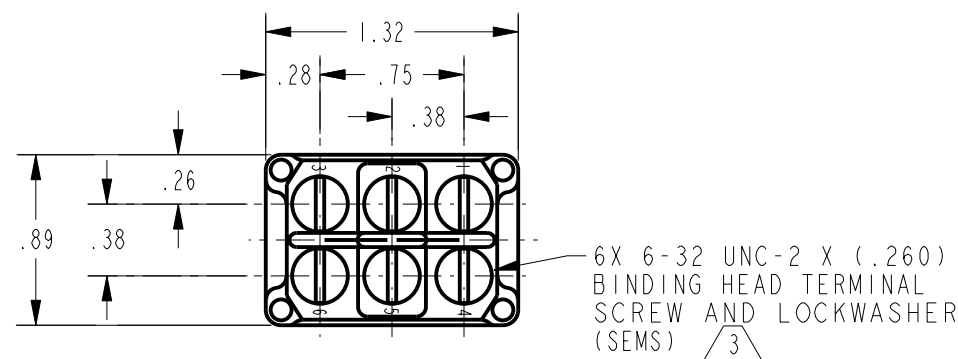
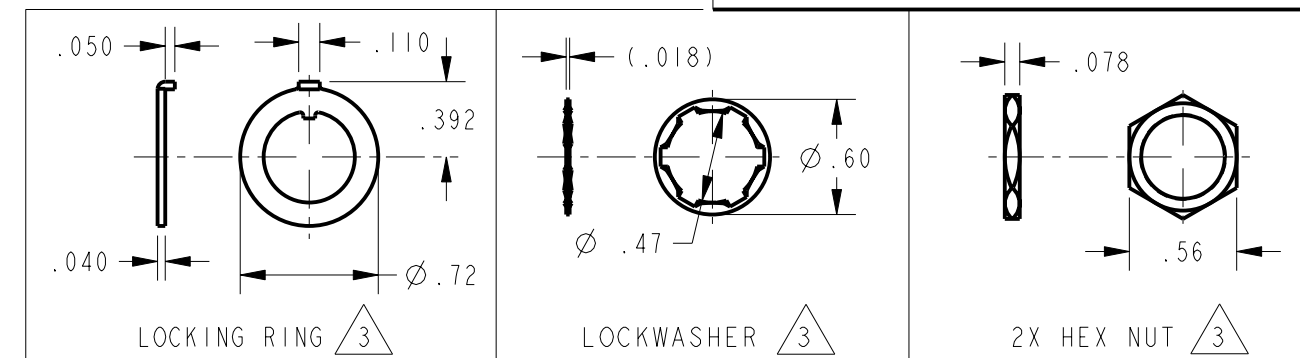
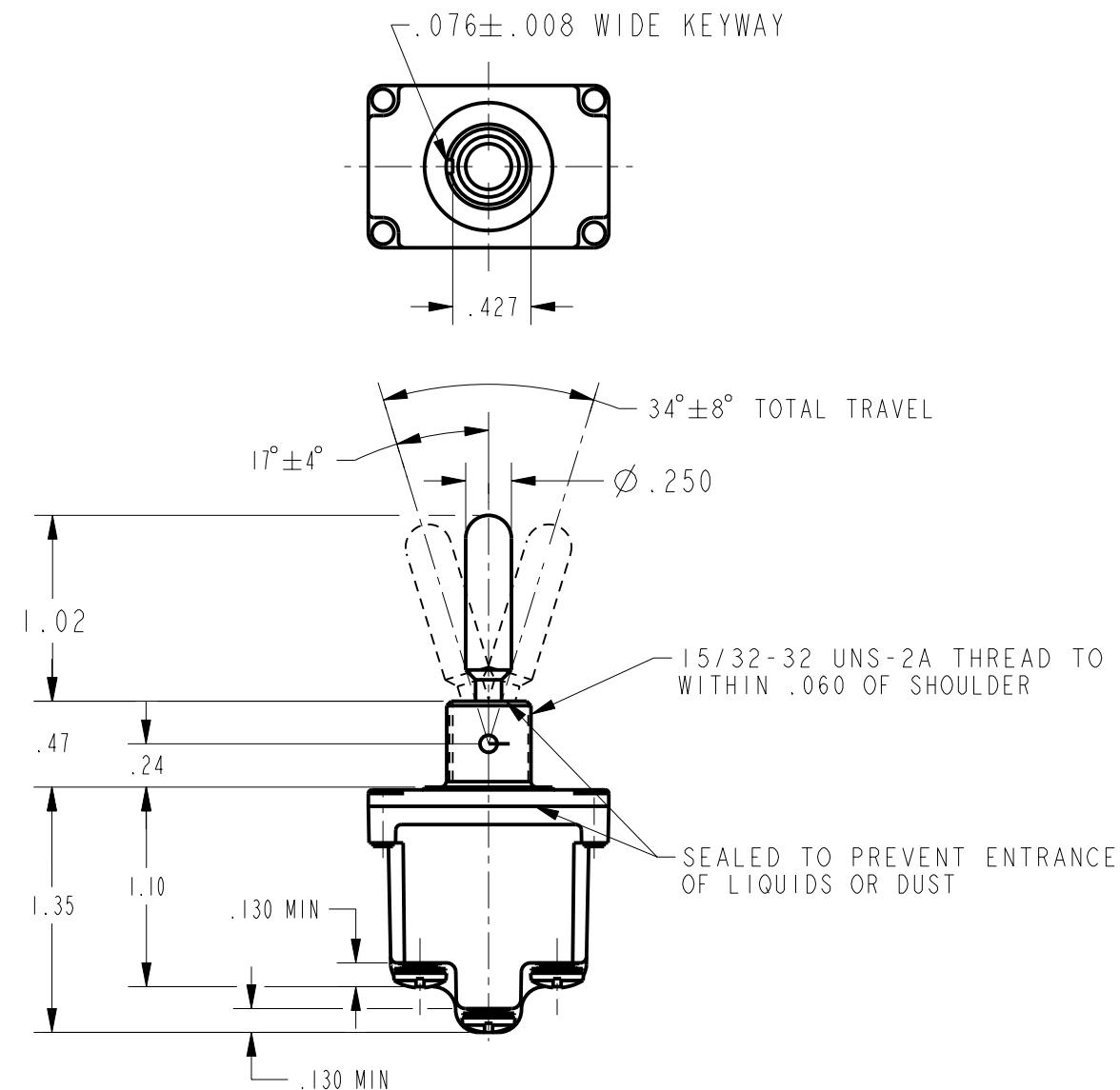
THIS DRAWING COVERS A PROPRIETARY ITEM AND IS THE PROPERTY OF MICRO SWITCH. A DIVISION OF HONEYWELL. THIS DRAWING IS NOT TO BE COPIED OR USED WITHOUT THE APPROVAL OF MICRO SWITCH

CIRCUIT MADE WITH TOGGLE LEVER IN



ELECTRICAL DATA

L192 10A 125, 250, 277 VAC
1/4HP 125 VAC,
1/2HP 250, 277 VAC
3A 125 VAC "L"



NOTES

- 1 - SWITCHES ARE CAPABLE OF WITHSTANDING A TEMPERATURE OF 160°F CONTINUOUSLY AT FULL RATED LOAD
- 2 - MICRO SWITCH CAT. LIST. MARKED ON SIDE OF SWITCH
- 3 - FURNISHED UNASSEMBLED
- 4 - APPLIES ONLY TO "ON" AND "MOMENTARY ON" POSITIONS
- 5 - GOLD PLATED CONTACTS

THIRD ANGLE PROJECTION	
SCALE	FULL
DO NOT SCALE PRINT	
UNLESS OTHERWISE SPECIFIED TOLERANCES ARE	
ONE PLACE	(.0) ±.030
TWO PLACE	(.00) ±.015
THREE PLACE	(.000) ±.005
ANGLES	±
WEIGHT	.12 LBS APPROX

ANSI Y14.5M-1982 APPLIES

2NT889-70
 CATALOG LISTING
 PAGE 1 OF 1
 REPLACES
 RELEASE NO. 203337
 CHECK
 REVISIONS
 CHECK
 20 JUN 01
 SAV
 CHECK
 20 JUN 01
 DRAWN
 PTC/CAD 2D
 TSM