

MICRO SWITCH
a Honeywell Division

FED. MFG. CODE 91929

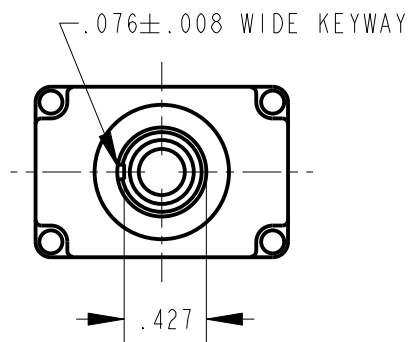
SWITCH - TOGGLE

2NT887-10 SERIES CHART 1

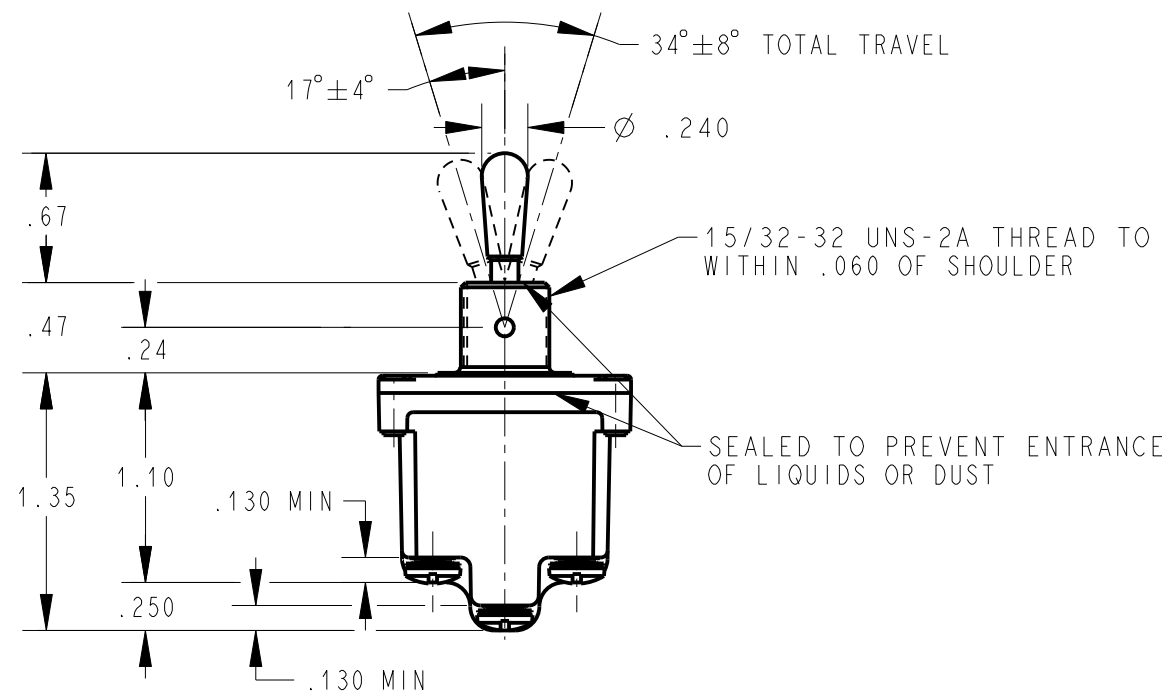
CATALOG LISTING

THIS DRAWING COVERS A PROPRIETARY ITEM AND IS THE PROPERTY OF MICRO SWITCH. A DIVISION OF HONEYWELL. THIS DRAWING IS NOT TO BE COPIED OR USED WITHOUT THE APPROVAL OF MICRO SWITCH

CATALOG LISTING	AVAILABLE LOCKING COMBINATIONS FOR CONFIGURATION SEE LETTERED DETAILS	STYLE NUMBER	ELECTRICAL RATING	
			L191	15A 125, <u>250</u> , 277 VAC 1/2HP 125 VAC 1HP <u>250</u> , 277 VAC 5A 125 VAC "L"
2NT887-10	NONE	1		
2NT887-10/5	A,B,D,E,F,G,H,J,K,L,M,N,P	2		

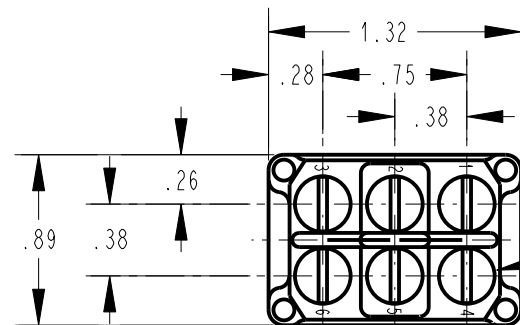


STYLE 1 LEVER



15/32-32 UNS-2A THREAD TO WITHIN .060 OF SHOULDER

SEALED TO PREVENT ENTRANCE OF LIQUIDS OR DUST



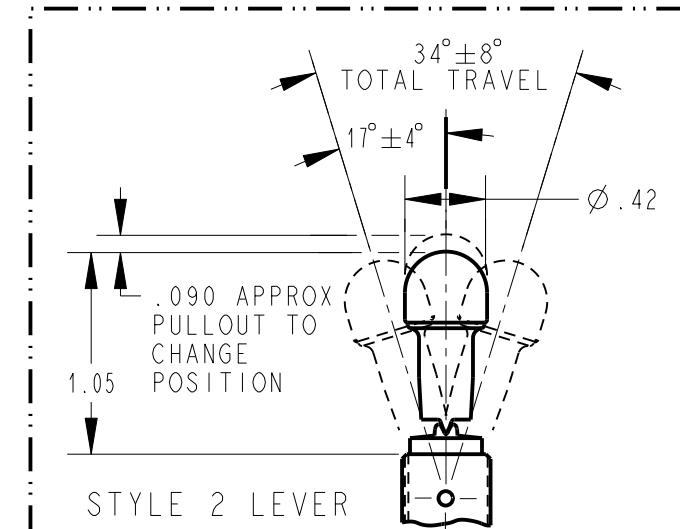
6X 6-32 UNC-2 X (.260) BINDING HEAD TERMINAL SCREW AND LOCKWASHER (SEMS) 3

"A" LOCKED IN THREE POSITIONS	"B" LOCKED IN CENTER AND EXTREME POS. (KEYWAY SIDE)	"D" LOCKED OUT OF CENTER POSITION	"E" LOCKED IN CENTER POSITION	"F" LOCKED IN EXTREME POS. (OPP. KEYWAY)	"G" LOCKED IN EXTREME POS. (KEYWAY SIDE)
"H" LOCKED OUT OF CENTER AND EXTREME POS. (KEYWAY SIDE)	"J" LOCKED OUT OF CENTER AND EXTREME POS. (OPP. KEYWAY)	"K" LOCKED IN CENTER AND EXTREME POS. (OPP. KEYWAY)	"L" LOCKED OUT OF EXTREME POS. (KEYWAY SIDE)	"M" LOCKED OUT OF AND INTO EXTREME POS. (OPP. KEYWAY)	"N" LOCKED OUT OF EXTREME POS. (OPP. KEYWAY)

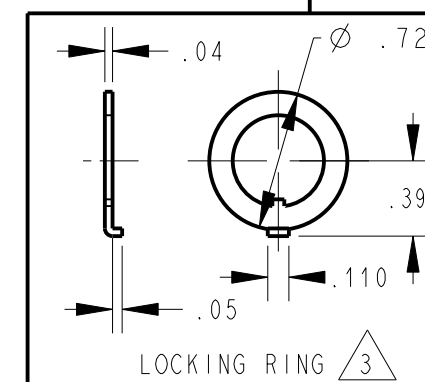
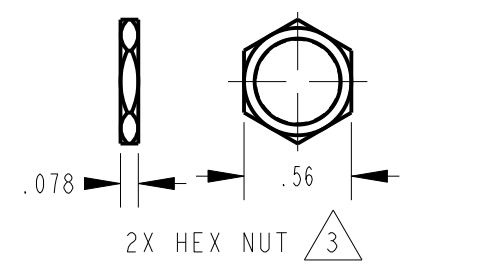
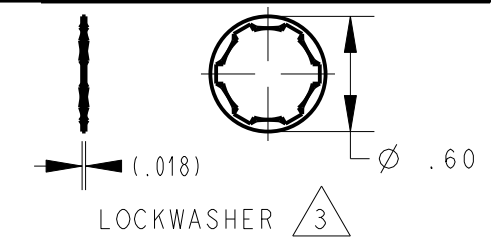
LOCKED OUT OF AND INTO EXTREME POS. (KEYWAY SIDE)	CIRCUIT MADE WITH TOGGLE LEVER IN		
	KEYWAY SIDE	CENTER	OPPOSITE KEYWAY
	MAINTAINED POSITION	MAINTAINED POSITION	MAINTAINED POSITION

NOTES

- 1 - SWITCHES ARE CAPABLE OF WITHSTANDING A TEMPERATURE OF 160°F CONTINUOUSLY AT FULL RATED LOAD
- 2 - MICRO SWITCH CAT. LIST. MARKED ON SIDE OF SWITCH
- 3 FURNISHED UNASSEMBLED
- 4 KEYWAY SHOWN ON LEFT SIDE
- 5 SUFFIX LETTER MUST BE ADDED FOR DESIRED TYPE OF TOGGLE LOCKING. SEE CHART FOR AVAILABLE LOCKING COMBINATIONS
- 6 - GOLD PLATED CONTACTS



STYLE 2 LEVER



THIRD ANGLE PROJECTION

SCALE FULL

DO NOT SCALE PRINT

UNLESS OTHERWISE SPECIFIED TOLERANCES ARE

ONE PLACE	(.0)	±.030
TWO PLACE	(.00)	±.015
THREE PLACE	(.000)	±.005
ANGLES		±

WEIGHT .15 LBS APPROX

CATALOG LISTING 2NT887-10 SERIES CHART 1
 PAGE 1 OF 1
 RELEASE NO. PR-20863
 CHECK
 REVISIONS
 A C094360 TSM 19NOV99
 B 207782 LJB 27MAR03
 C 0002302 CSL 10 DEC 03
 CHECK
 19NOV99
 SAV
 CHECK
 19NOV99
 DRAWN
 TSM
 19NOV99
 PTC/CAD 2D
 ANSI Y14.5M-1982 APPLIES