

M12 Series

Rear Mount Female Connector

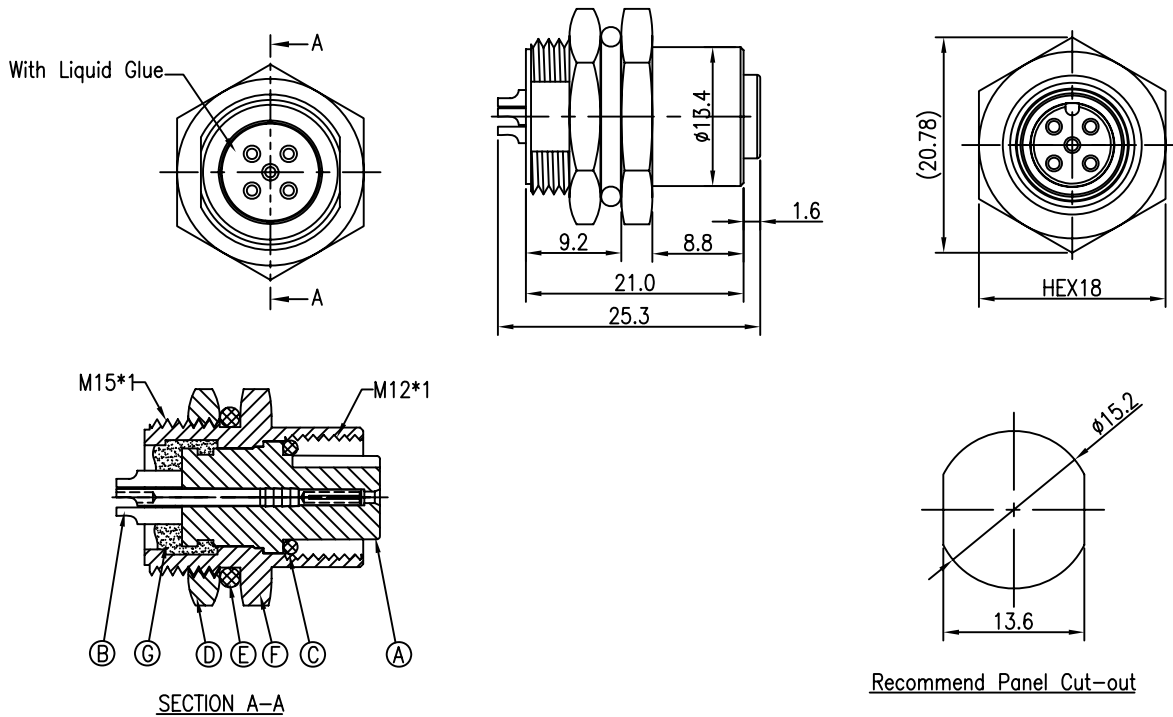
multicomp PRO



Specifications:

Waterproof Rate	: IP68
IP68	: Immersed in 1m water for 24 hours
Electrical Characteristics	
Temperature Range	: -40°C to +100°C
Current Rating	: 60V AC/DC
Dielectric withstanding Voltage	: 500V AC for one minute
Panel Thickness	: 3.5mm Max.

Diagram



Recommend Panel Cut-out

Dimensions : Millimetres

Item	Description	Material	Plating and Colour
A	Body	Nylon + 33%GF	Black
B	Female PIN	Phosphor Bronze Alloy	6µ" Gold Plated Over Nickel Plating
C	O-Ring	Viton	Red
D	Nut	Brass	Nickel Plating 100µ"
E	O-Ring	EPDM	Black
F	Shield	Brass	Nickel Plating 100µ"
G	Liquid Glue	-	Black

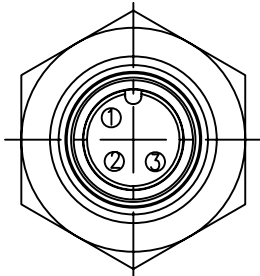
Newark.com/multicomp-pro
 Farnell.com/multicomp-pro
 Element14.com/multicomp-pro

multicomp PRO

M12 Series

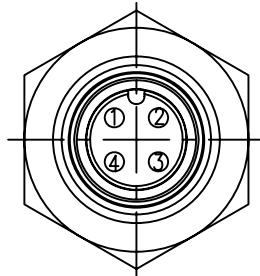
Rear Mount Female Connector

multicomp PRO



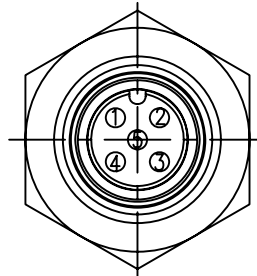
Pin Assignments
Front View

2MT3000-W03300



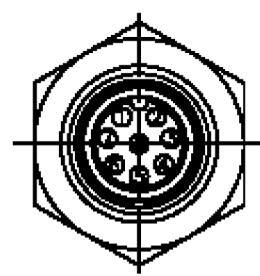
Pin Assignments
Front View

2MT3000-W04300



Pin Assignments
Front View

2MT3000-W05300



Pin Assignments
Front View

2MT3000-W08200

Part Number Table

Description	Current Rating	Part Number
M12 Series Rear Mount Female Connector, 3 Position	5A	2MT3000-W03300
M12 Series Rear Mount Female Connector, 4 Position		2MT3000-W04300
M12 Series Rear Mount Female Connector, 5 Position		2MT3000-W05300
M12 Series Rear Mount Female Connector, 8 Position	2A	2MT3000-W08200

Important Notice : This data sheet and its contents (the "Information") belong to the members of the AVNET group of companies (the "Group") or are licensed to it. No licence is granted for the use of it other than for information purposes in connection with the products to which it relates. No licence of any intellectual property rights is granted. The Information is subject to change without notice and replaces all data sheets previously supplied. The Information supplied is believed to be accurate but the Group assumes no responsibility for its accuracy or completeness, any error in or omission from it or for any use made of it. Users of this data sheet should check for themselves the Information and the suitability of the products for their purpose and not make any assumptions based on information included or omitted. Liability for loss or damage resulting from any reliance on the Information or use of it (including liability resulting from negligence or where the Group was aware of the possibility of such loss or damage arising) is excluded. This will not operate to limit or restrict the Group's liability for death or personal injury resulting from its negligence. Multicomp Pro is the registered trademark of Premier Farnell Limited 2019.

Newark.com/multicomp-pro
Farnell.com/multicomp-pro
Element14.com/multicomp-pro

multicomp PRO