



# MICRO SWITCH

FREEPORT, ILLINOIS, U.S.A.  
A DIVISION OF HONEYWELL

FED. MFG. CODE 91929

# SWITCH-BASIC

CATALOG LISTING

## 2MN9

S

2MN9

M

DRAWING NUMBER

8

X

X

X

X

### REVISIONS

A	CO15200	WEG	22 JUNE 65
B	CO23123	ORD	21 MAR 68
C	CO25152	GES	11 FEB 69
D	CO32555	KAG	25 SEP 85
E	CO-57992	CH	26 APR 86
F	CO59413		

REPLACES

RELEASE NO.

CHECK

65

23 JUN 65

65

21 MAR 68

68

11 FEB 69

69

25 SEP 85

85

26 APR 86

86

65

23 JUN 65

65

23 JUN 65

65

23 JUN 65

65

23 JUN 65

65

23 JUN 65

65

23 JUN 65

65

23 JUN 65

65

23 JUN 65

65

23 JUN 65

65

23 JUN 65

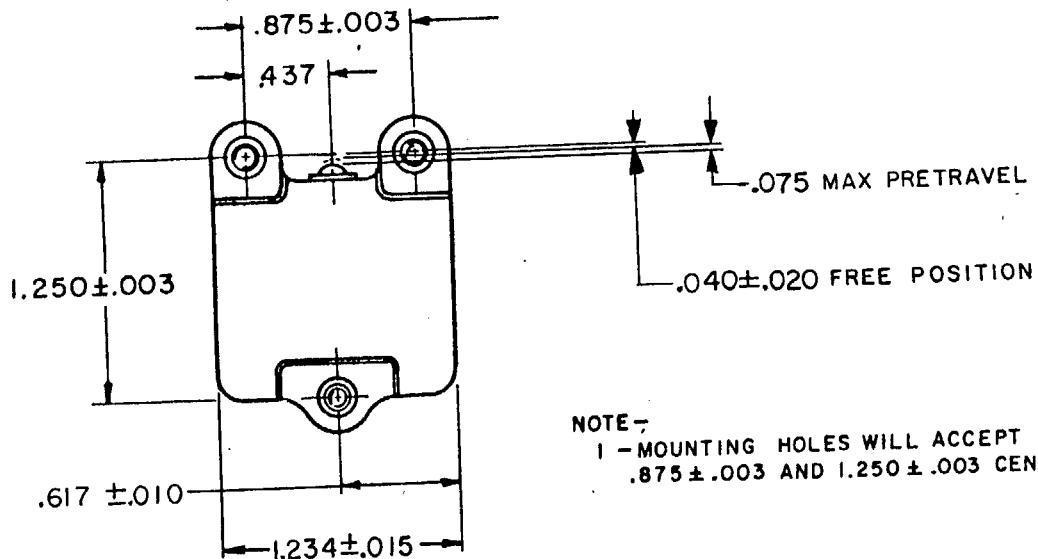
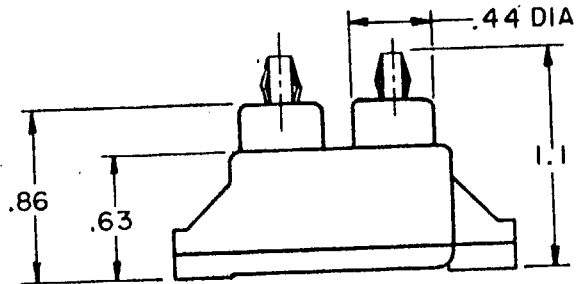
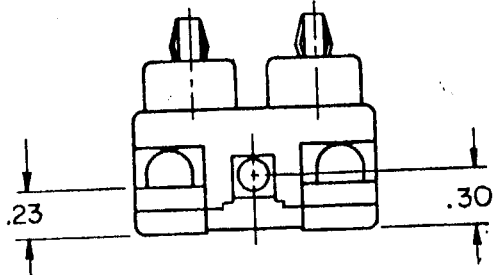
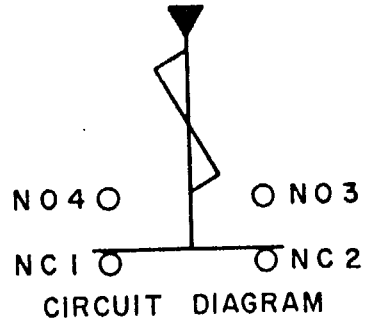
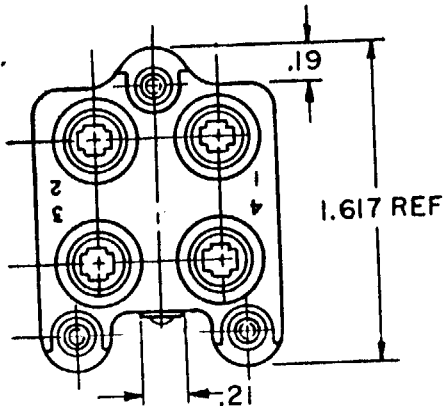
65

23 JUN 65

65

23 JUN 65

65



NOTE -  
1 - MOUNTING HOLES WILL ACCEPT NO.4 SCREWS ON  
.875 ± .003 AND 1.250 ± .003 CENTER

THIS DRAWING COVERS A PROPRIETARY ITEM AND IS THE PROPERTY OF MICRO SWITCH, A DIVISION OF HONEYWELL. THIS DRAWING IS NOT TO BE COPIED OR USED WITHOUT THE APPROVAL OF MICRO SWITCH.

### CHARACTERISTICS

OPERATING FORCE - - - - 14 OZ MAX  
RELEASE FORCE - - - - 3 OZ MIN  
DIFFERENTIAL TRAVEL - - - 011 - .020  
OVERTRAVEL - - - - .017 MIN  
RELEASE TRAVEL - - - - .022 MIN

### ELECTRICAL DATA

CONTACT ARRANGEMENT  
SEE CIRCUIT DIAGRAM

10 A - 120, 240, OR 480 VAC; 1/2 HP - 120 VAC  
1 HP - 240 VAC; 0.8 A - 115 VDC; 0.4 A - 230 VDC  
0.1 A - 550 VDC  
PILOT DUTY: 600 VAC MAX

### SCALE FULL

DO NOT SCALE PRINT

UNLESS OTHERWISE NOTED  
DIMENSIONS ARE IN INCHES

**TOLERANCES ARE:**

ONE PLACE	(.0)	±.030
TWO PLACE	(.00)	±.015
THREE PLACE	(.000)	±.005
ANGLES		±

WEIGHT

50378

DRAWN

WEG 22 JUNE 65