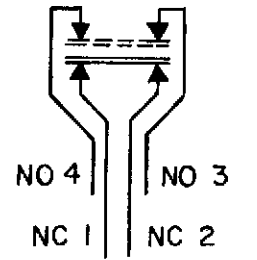


MICRO SWITCH
a Honeywell Division

FED. MFG. CODE 91929

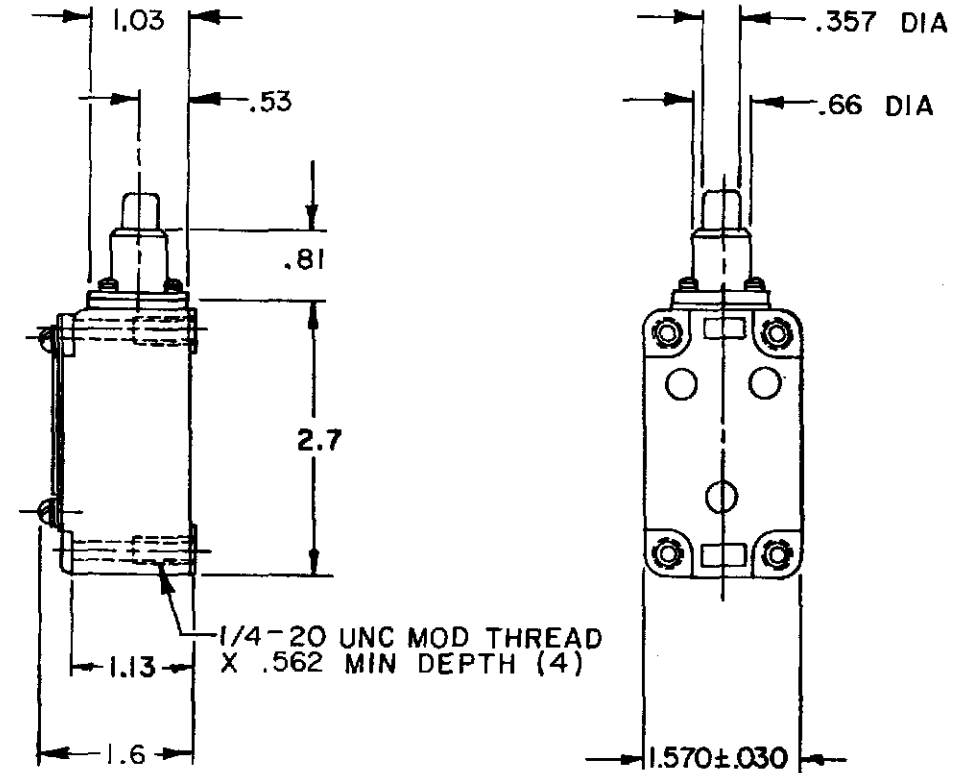
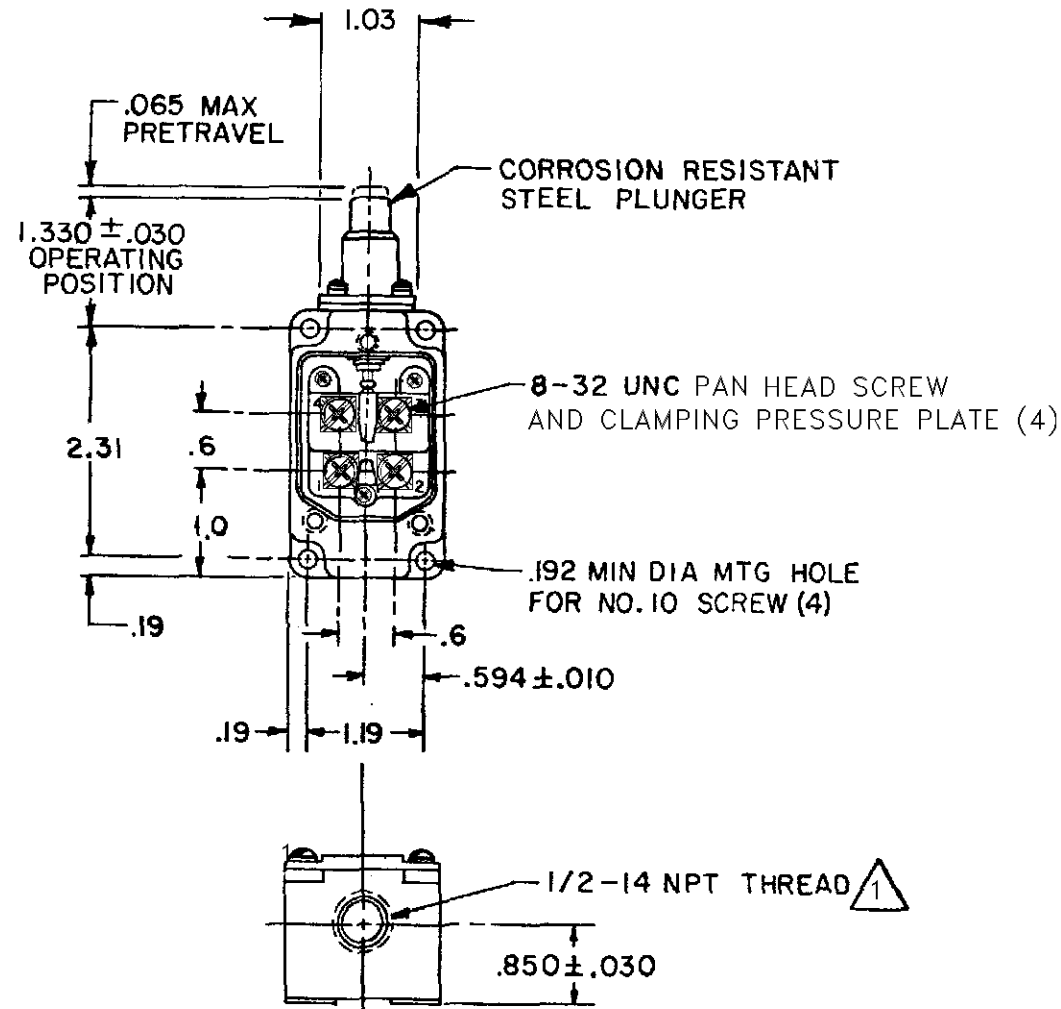
SWITCH-ENCLOSED

CATALOG LISTING
2LS1-L



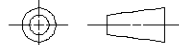
CIRCUIT DIAGRAM

CATALOG LISTING 2LS1-L
PAGE 1 OF 1
ISSUE 16
REVISIONS
A CO-76997
GJW
12 APR 95
8 MAY 95
12 APR 95
FORMTEK
DRAWN
GJW



THIS DRAWING COVERS A PROPRIETARY ITEM AND IS THE PROPERTY OF MICRO SWITCH, A DIVISION OF HONEYWELL. THIS DRAWING IS NOT TO BE COPIED OR USED WITHOUT THE APPROVAL OF MICRO SWITCH

THIRD ANGLE PROJECTION



SCALE 1/2 TO 1

DO NOT SCALE PRINT

CHARACTERISTICS
OPERATING FORCE ----- 7 LB MAX
RELEASE FORCE ----- 2 LB MIN
DIFFERENTIAL TRAVEL ----- .020 MAX
OVERTRAVEL ----- .250 MIN
RELEASE TRAVEL ----- .015 MIN
BASIC SWITCH REPLACEMENT ----- 2MNI-L

ELECTRICAL DATA
CONTACT ARRANGEMENT (SEE CIRCUIT DIAGRAM)
L126 10A 125, 250 OR 480 VAC
1/3HP 125 VAC, 3/4HP 250 VAC
0.8A 125 VDC, 0.4A 250 VDC

UNLESS OTHERWISE SPECIFIED TOLERANCES ARE	
ONE PLACE (.0)	±.030
TWO PLACE (.00)	±.015
THREE PLACE (.000)	±.005
ANGLES	±
WEIGHT	



NOTE

1 SEAL TO BE FURNISHED BY USER