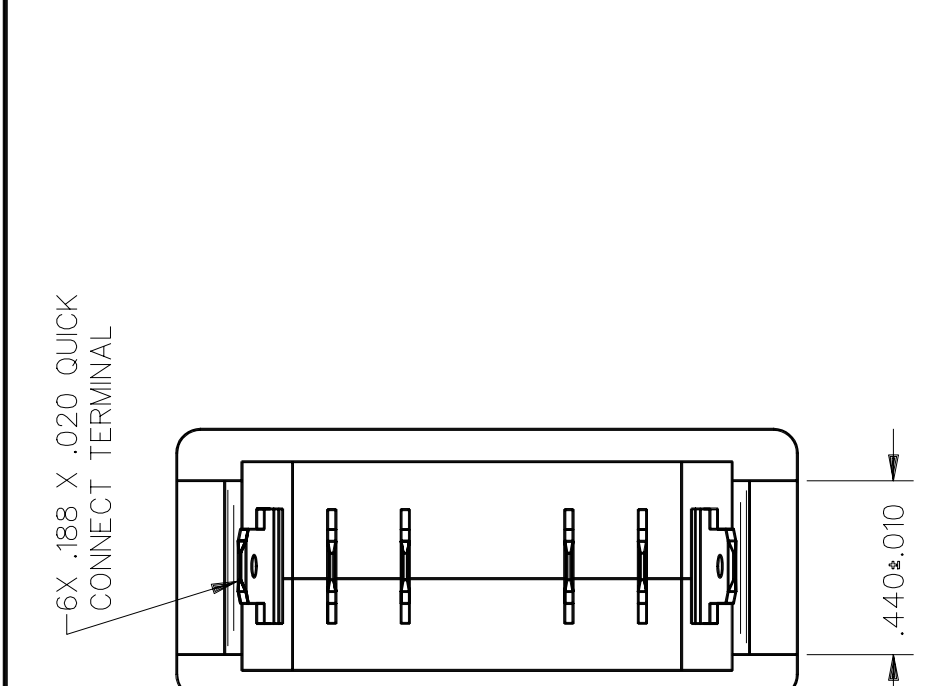
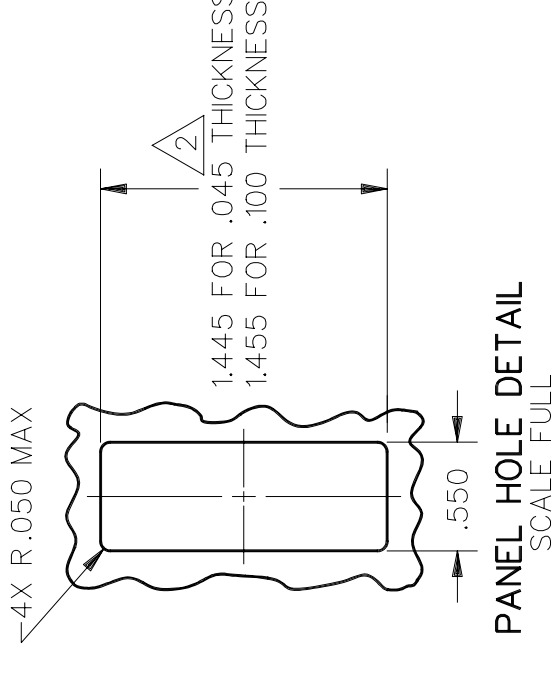
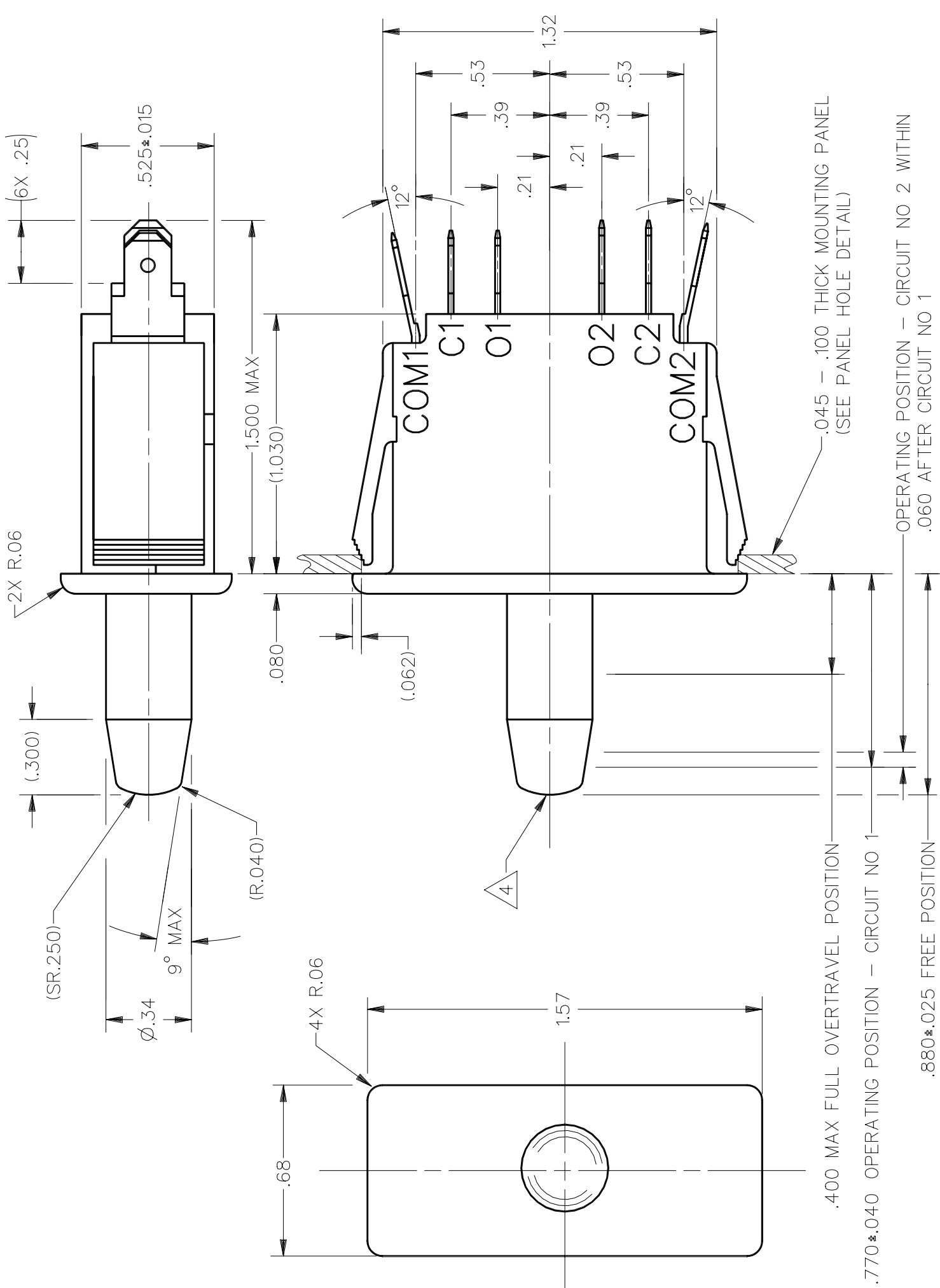


DHD	22 JUL 92	DRAWN
DHM/CAD		
REPLACES		
RELEASE NO. PR-3837		
CATALOG LISTING	2DM83	
ISSUE	7	
REVISIONS		
A 172328		
DHD		
22 JUL 92		
CHECK		
CHECK		
CHECK		
CHECK		
CHECK		
CHECK		



<p>THIS DRAWING COVERS A PROPRIETARY ITEM AND IS THE PROPERTY OF MICRO SWITCH. A DIVISION OF HONEYWELL. THIS DRAWING IS NOT TO BE COPIED OR USED WITHOUT THE APPROVAL OF MICRO SWITCH</p> <p>CHARACTERISTICS OPERATING FORCE — — — — — 24 OZ MAX (TO OPERATE BOTH CIRCUITS) RELEASE FORCE — — — — — 6 OZ MIN (TO RELEASE BOTH CIRCUITS) DIFFERENTIAL TRAVEL — — .045 APPROX (EACH CIRCUIT)</p>	<p>ELECTRICAL DATA CONTACT ARRANGEMENT D P D T L22 1A 125 VAC</p>	
	<p>SCALE 2 TO 1</p>	<p>THIRD ANGLE PROJECTION</p>
	<p>UNLESS OTHERWISE SPECIFIED TOLERANCES ARE ONE PLACE (.0) ±.030 TWO PLACE (.00) ±.015 THREE PLACE (.000) ±.005 ANGLES ± 5° WEIGHT</p>	
	<p>DO NOT SCALE PRINT</p>	

- NOTES**
- 1 - BLACK PLASTIC CASE AND PLUNGER
 - 2 - NOMINAL CUTOUT DIMENSION FOR PANELS BETWEEN .045 AND .100 SHOULD BE INTERPOLATED BETWEEN 1.445 AND 1.455
 - 3 - SWITCH HAS GOLD ALLOY CONTACTS
 - 4 - PUSH TO OPERATE - MOMENTARY

.400 MAX FULL OVERTRAVEL POSITION
.770 ± .040 OPERATING POSITION - CIRCUIT NO 1
.880 ± .025 FREE POSITION

OPERATING POSITION - CIRCUIT NO 2 WITHIN .060 AFTER CIRCUIT NO 1

.045 - .100 THICK MOUNTING PANEL (SEE PANEL HOLE DETAIL)