

**MICRO SWITCH**

A DIVISION OF MINNEAPOLIS-HONEYWELL REGULATOR COMPANY  
ST. LOUIS, MISSOURI

FED. MFR. CODE 91929

# SWITCH - BASIC

CATALOG LISTING

## 2 D88

2D88

M

DRAWING NUMBER

ISSUE

REPLACES

RELEASE NO.

CHECK

17 MAY '61

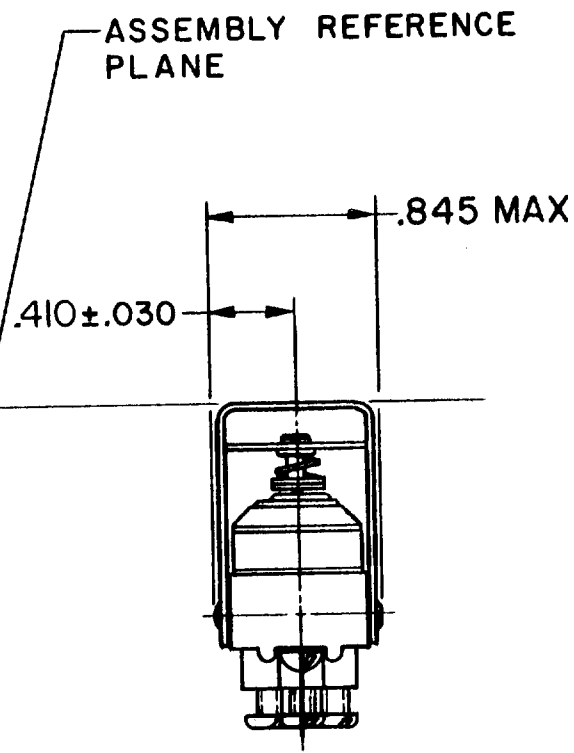
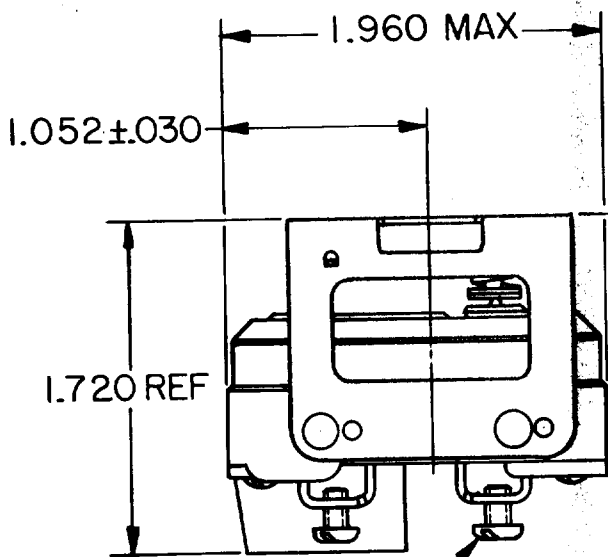
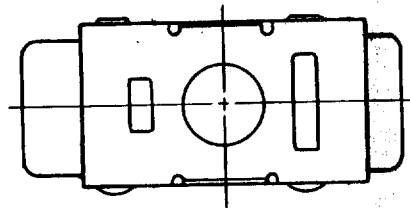
CHECK M W G

CHECK

16 MAY 61

DRAWN

D-80378



6-32 NC X .218 REF  
BINDER HEAD TERMINAL  
SCREW (STAKED) (3)

- NOTE-
- 1- UNIT USES MT-4R-A28 (1)
  - 2- FOR USE WITH "2C" SERIES OPERATOR-INDICATOR
  - 3- MAY BE MOUNTED WITH MAJOR AXIS PARALLEL OR NORMAL TO MAJOR AXIS OF OPERATOR-INDICATOR

THIS DRAWING COVERS A PROPRIETARY ITEM AND IS THE PROPERTY OF MICRO SWITCH, A DIVISION OF MINNEAPOLIS-HONEYWELL REGULATOR CO. THIS DRAWING IS NOT TO BE COPIED OR USED WITHOUT THE APPROVAL OF MICRO SWITCH.

CHARACTERISTICS	ELECTRICAL DATA		SCALE FULL
	CONTACT ARRANGEMENT	BREAK DISTANCE	DO NOT SCALE PRINT
			UNLESS OTHERWISE SPECIFIED DIMENSIONS ARE IN INCHES <b>TOLERANCES ARE:</b>
			ONE PLACE (.0) ± .030 TWO PLACE (.00) ± .015 THREE PLACE (.000) ± .005 ANGLES ±
			WEIGHT