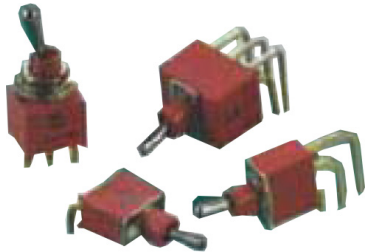


Toggle Switches

Sub-Miniature

multicomp PRO



Specifications

Contact Rating	: 0.4 Volt-Amps (VA) max. at 20V max. (AC or DC)
Mechanical Life	: 30,000 make-and-break cycles
Contact Resistance	: 20mΩ max. initial at 2 to 4V DC 100mA for both silver and gold plated contacts
Min. Insulation Resistance	: 1,000MΩ
Dielectric Strength	: 1,000VRMS at sea level
Operating Temperature	: -30°C to +85°C

Materials

Case and Bushing	: Glass filled nylon 66, heat stabilized.
Actuator	: Brass, chrome plated with internal, O-ring seal standard.
Switch Support	: Brass or steel, tin plated.
Contacts/Terminals	: Copper alloy, with gold plated.

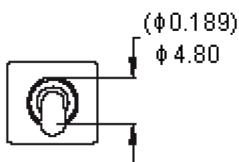
Specification Table

Number of Poles	Switch Function			Connected Terminals/Schematic			Model Number
	Position 1	Position 2	Position 3	Position 1	Position 2	Position 3	
SP	On	None	Mom	2 - 3	N/A	2 - 1	2AS2
	Mom	Off		2 (Comm)	Open	2 (Comm)	2AS4
	On	Off		1 3		1 3	2AS5
DP	On	None	On	2 - 3, 5 - 6	N/A	2 - 1, 5 - 4	2AD1
			Mom	2 (Comm)		2 (Comm)	2AD2
		Off	On	1 3 4 6	Open	1 3 4 6	2AD3
		On		2 - 3, 5 - 6		2 - 3, 5 - 4	2 - 1, 5 - 4

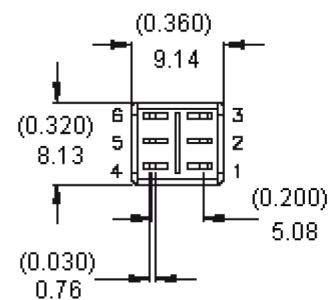
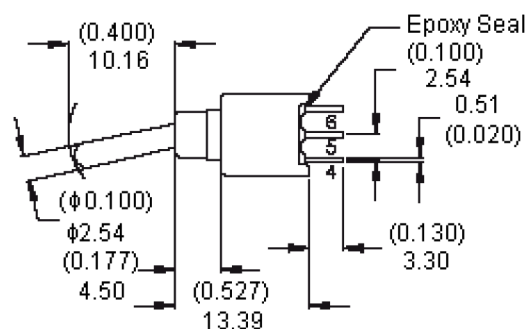
Mom = Momentary

Pole Option

M2RE



DPDT



Dimensions : Millimetres (Inches)

Newark.com/multicomp-pro
Farnell.com/multicomp-pro
Element14.com/multicomp-pro

multicomp PRO

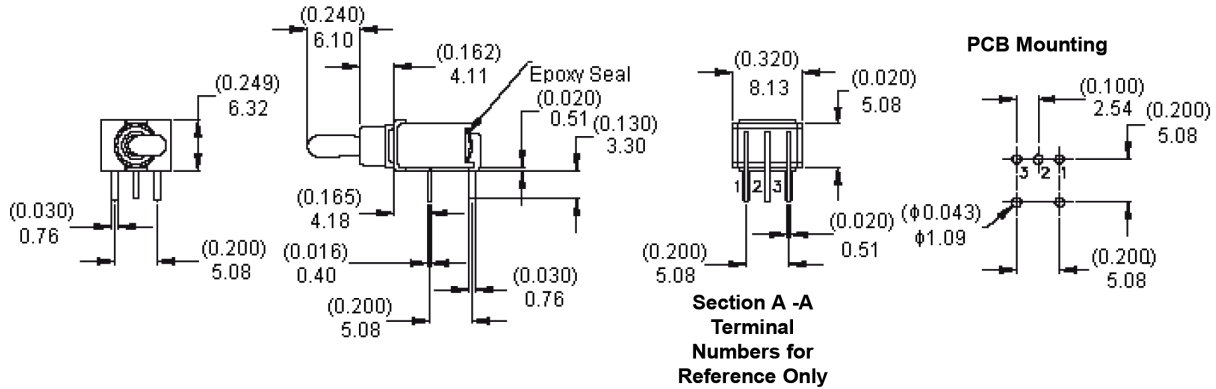
Toggle Switches

Sub-Miniature

multicomp PRO

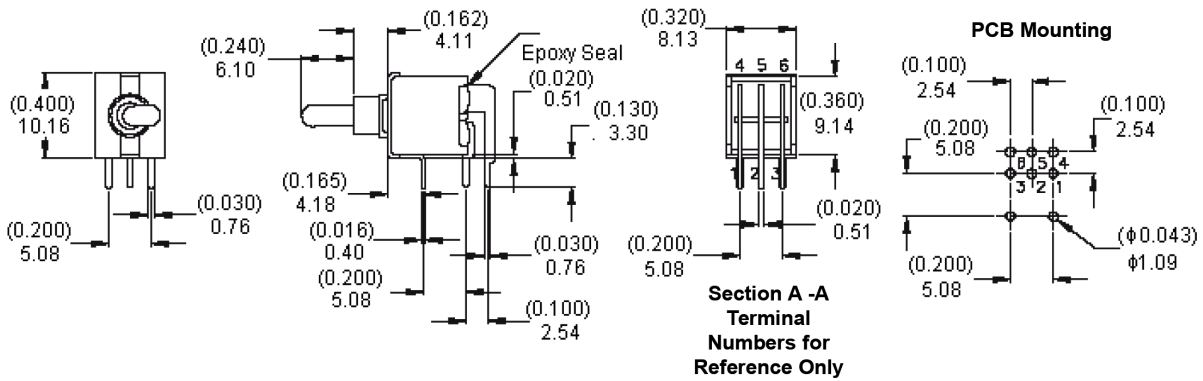
M6RE

SPDT



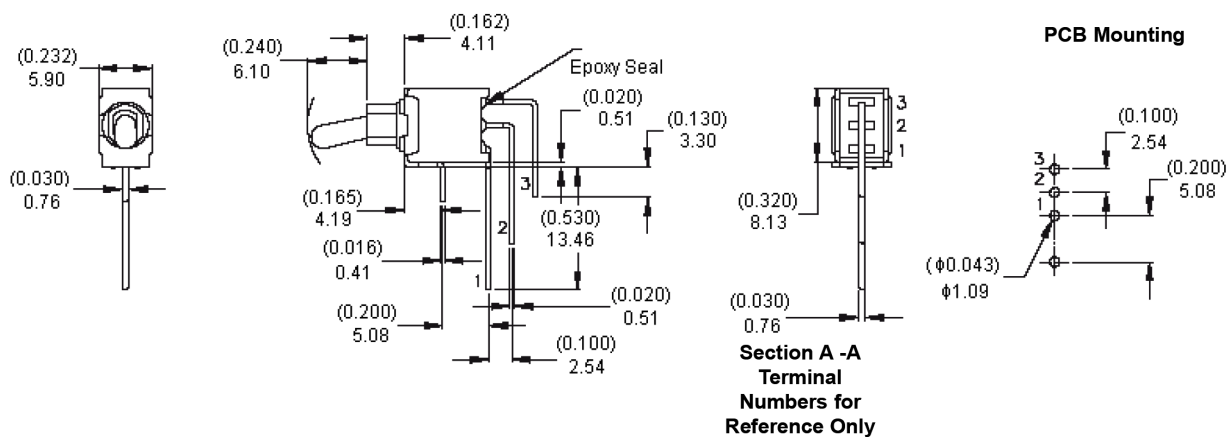
M6RE

DPDT



M7RE

SPDT



Dimensions : Millimetres (Inches)

Newark.com/multicomp-pro
Farnell.com/multicomp-pro
Element14.com/multicomp-pro

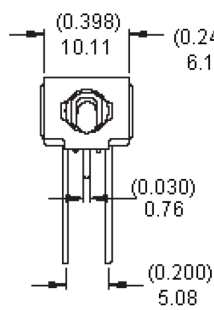
multicomp PRO

Toggle Switches

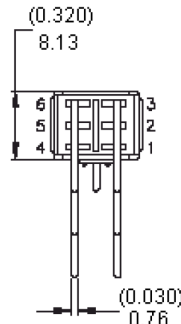
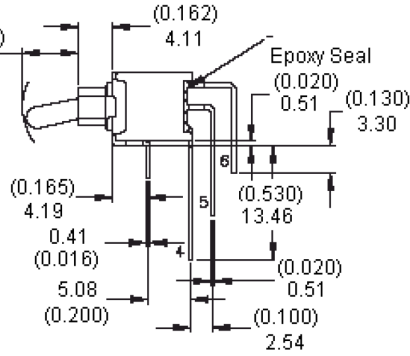
Sub-Miniature

multicomp PRO

M7RE

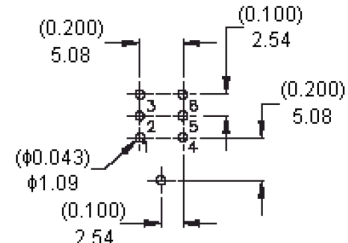


DPDT



Section A -A
Terminal
Numbers for
Reference Only

PCB Mounting



Dimensions : Millimetres (Inches)

Soldering Process

Manual Soldering : Use soldering iron of 30 watts, controlled at 350°C approximately 5 seconds while applying solder.

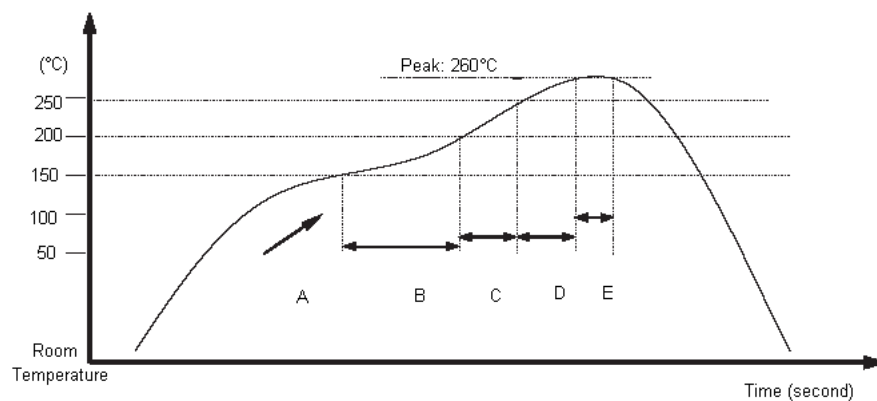
Wave Soldering

Recommended soldering temperature : 260 ±5°C.

Duration of solder immersion: Max. 5 s (PCB is 1.6mm in thickness).

Soldering : Vapour phase

Temperature Profile		
Zone	Room Temperature (°C)	Time (Seconds)
Pre-heat (A)	150°C	Minimum 120
Soak (B)	180°C to 200°C	Minimum 150
Peak (C)	200°C to 235°C	Minimum 30
Peak (D)	235°C to 260°C	Minimum 40
Peak (E)	260°C	Maximum 10



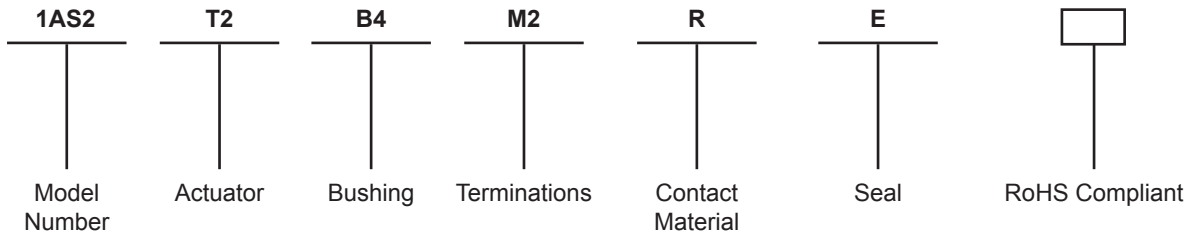
Newark.com/multicomp-pro
Farnell.com/multicomp-pro
Element14.com/multicomp-pro

multicomp PRO

Toggle Switches

Sub-Miniature

Part Number Explanation



- Model Number : 2AS2 = SP On-None-Mom, 2AS4 = SP Mom-Off-Mom, 2AS5 = SP On-Off-Mom, 2AD1 = DP On-None- On, 2AD2 = DP On-None-Mom, 2AD3 = DP On-Off-On and 2AD6 = DP On-On-On.
- Actuator : T2 = 6.10 High.
- Bushing : A1 = SP 4.65 High and A2 = DP 4.5 High.
- Terminations : M2 = PVC Through Hole, M6 = Right Angle, PVC Through Hole and M7 = Vertical Right Angle, PVC Through Hole.
- Contact Material : R = Gold
- Seal : E = Epoxy (STD)

Part Number Table

Description	Part Number
Switch, Toggle, DPDT, Vertical, On-Mom	2AD2T2A2M2RE
Switch, Toggle, DPDT, Vertical, On-On	2AD1T2A2M2RE
Switch, Toggle, DPDT, Vertical, On-Off-On	2AD3T2A2M2RE
Switch, Toggle, DPDT, Vertical, On-On-On	2AD6T2A2M2RE
Switch, Toggle, SPDT, Horizontal R/A, Mom-Off-Mom	2AS4T2A1M6RE
Switch, Toggle, Horizontal R/A, On-Mom	2AD2T2A2M6RE
Switch, Toggle, DPDT, Horizontal R/A, On-On	2AD1T2A2M6RE
Switch, Toggle, DPDT, Horizontal R/A, On-On-On	2AD6T2A2M6RE
Switch, Toggle, SPDT, Vertical R/A, On-Mom	2AS2T2A1M7RE
Switch, Toggle, SPDT, Vertical R/A, Mom-Off-Mom	2AS4T2A1M7RE
Switch, Toggle, SPDT, Vertical R/A, On-Off-Mom	2AS5T2A1M7RE
Switch, Toggle, DPDT, Vertical R/A, On-Mom	2AD2T2A2M7RE
Switch, Toggle, DPDT, Vertical R/A, On-On	2AD1T2A2M7RE
Switch, Toggle, DPDT, Vertical R/A, On-Off-On	2AD3T2A2M7RE
Switch, Toggle, DPDT, Vertical R/A, On-On-On	2AD6T2A2M7RE

Important Notice : This data sheet and its contents (the "Information") belong to the members of the AVNET group of companies (the "Group") or are licensed to it. No licence is granted for the use of it other than for information purposes in connection with the products to which it relates. No licence of any intellectual property rights is granted. The Information is subject to change without notice and replaces all data sheets previously supplied. The Information supplied is believed to be accurate but the Group assumes no responsibility for its accuracy or completeness, any error in or omission from it or for any use made of it. Users of this data sheet should check for themselves the Information and the suitability of the products for their purpose and not make any assumptions based on information included or omitted. Liability for loss or damage resulting from any reliance on the Information or use of it (including liability resulting from negligence or where the Group was aware of the possibility of such loss or damage arising) is excluded. This will not operate to limit or restrict the Group's liability for death or personal injury resulting from its negligence. Multicomp Pro is the registered trademark of Premier Farnell Limited 2019.