

MICRO SWITCH
a Honeywell Division

FED. MFG. CODE 91929

ASSEMBLY—SWITCH

CATALOG LISTING

2AC6

KC-B0060

CATALOG LISTING
2AC6

PAGE 1 OF 1

ISSUE
15

REVISIONS
A CO-83621
K D R
7 SEP 96

DDM/CAD
DRAWN

REPLACES

RELEASE NO.

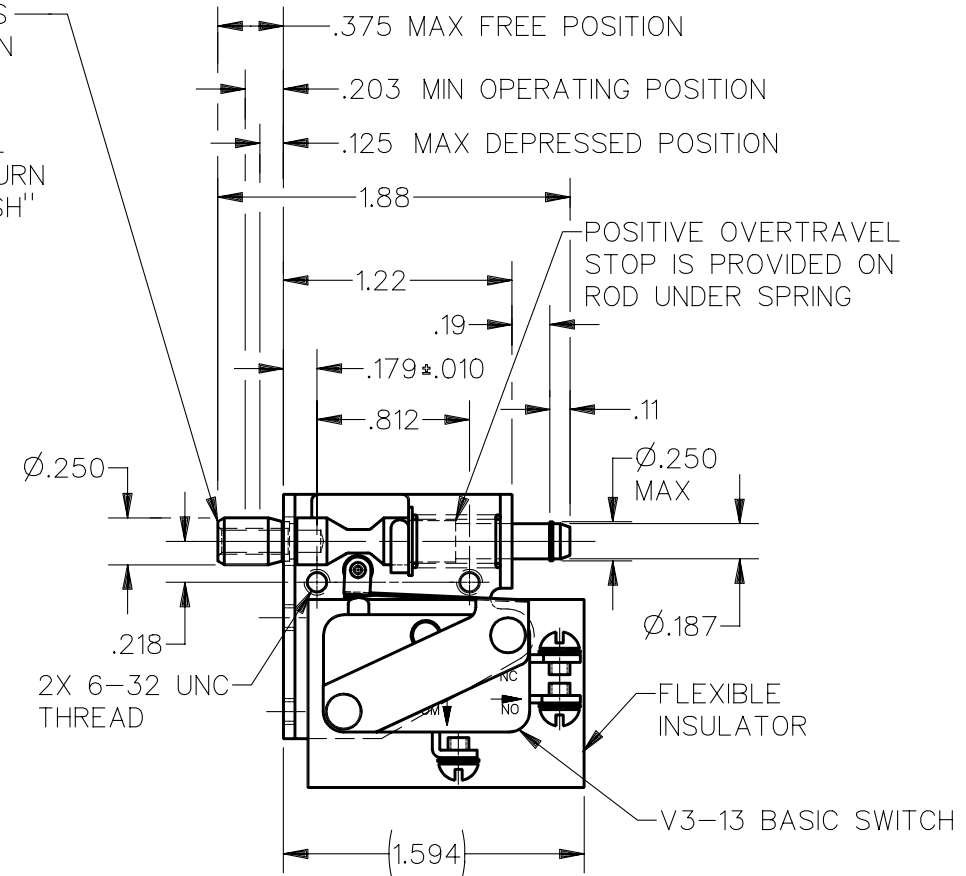
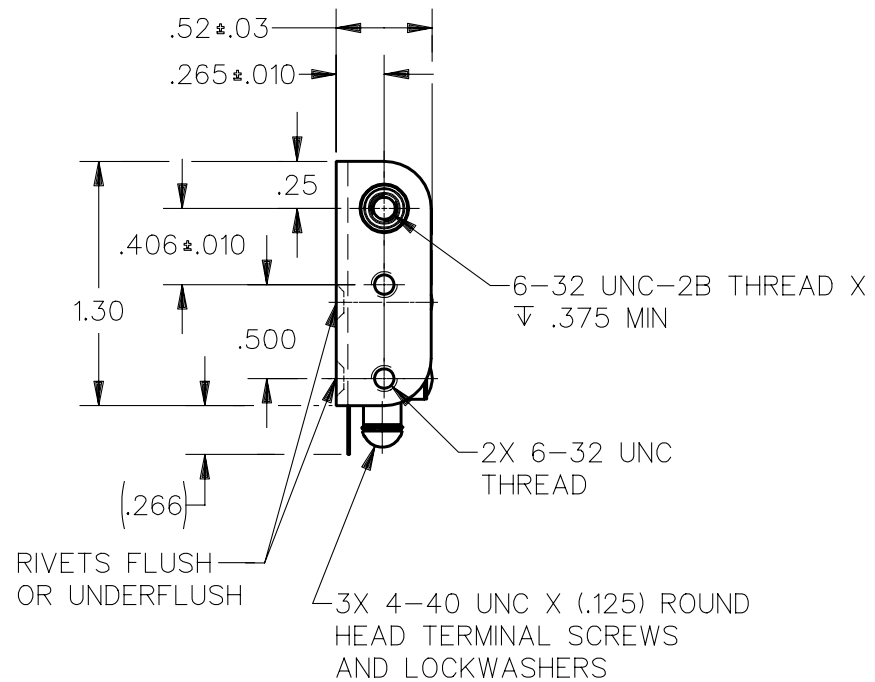
CHECK

CHECK

CHECK

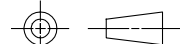
K D R 7 SEP 96

PUSH TO OPERATE—RETURNS
AUTOMATICALLY TO POSITION
SHOWN
PULL TO OPERATE—REMAINS
IN OPERATED POSITION UNTIL
RESET FOR AUTOMATIC RETURN
BY NEXT FULL STROKE "PUSH"
OPERATION



THIS DRAWING COVERS A PROPRIETARY ITEM AND IS THE PROPERTY OF MICRO SWITCH, A DIVISION OF HONEYWELL. THIS DRAWING IS NOT TO BE COPIED OR USED WITHOUT THE APPROVAL OF MICRO SWITCH

THIRD ANGLE PROJECTION



CHARACTERISTICS

TOTAL TRAVEL
 .250 APPROX PUSH DIRECTION
 .187 APPROX PULL DIRECTION
 FULLY DEPRESSED FORCE—4 LBS MAX

ELECTRICAL DATA

CONTACT ARRANGEMENT
 S P D T

15.1A 1/2HP 125, 250 VAC
 1/2A 125 VDC, 1/4A 250 VDC
 5A 125 VAC "L"

SCALE FULL

DO NOT SCALE PRINT

UNLESS OTHERWISE SPECIFIED
 TOLERANCES ARE

ONE PLACE (.0) ± .030
 TWO PLACE (.00) ± .015
 THREE PLACE (.000) ± .005
 ANGLES ±

WEIGHT

NOTES

- 1 - NOTCH IN ACTUATOR ROD WILL PERMIT .035 DISPLACEMENT BETWEEN END OF ROD AND HOLE IN BRACKET
- 2 - PLASTIC PARTS ARE MADE OF MINERAL FILLED PHENOLICS
- 3 - WITH ROD IN EITHER ACTUATED POSITION, BASIC SWITCH PLUNGER MUST HAVE .010 MIN OVERTRAVEL AND WITH ROD IN FREE POSITION BASIC SWITCH PLUNGER MUST HAVE .005 MIN RELEASE TRAVEL

ANSI Y14.5M-1982 APPLIES