

THRU HOLE (THM) & SURFACE MOUNT (SMT) BUTTON CELL RETAINERS

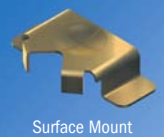
Economical and reliable SMT and THM coin cell retainers specifically designed for miniature electronic applications with limited board space.

- Available in Thru Hole Mount (THM) or Surface Mount (SMT) configurations
- SMT solder tail with "flow-hole" design for increased joint strength
- THM legs maintain relative position during and after soldering
- Ideally suited for High Density packaging
- Reliable spring tension assures low contact resistance
- Retains battery securely to withstand shock and vibration
- Solder tail located outside of retainer body which facilitates visual inspection of the solder joints

4 mm to 12 mm BUTTON CELL RETAINERS

AVAILABLE ON TAPE AND REEL

4.8 mm

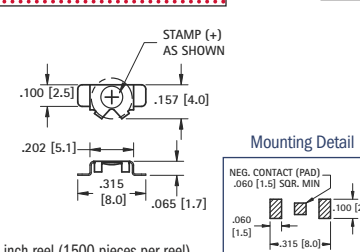


Surface Mount


MATERIAL: .006 (.15) Phosphor Bronze, Gold Plate (Flash)

CAT. NO. BULK	ON TAPE & REEL	BATTERY REFERENCE
2994	2994TR	ML414

Tape & Reel Spec's: 16mm wide; 8mm pitch; 13 inch reel (1500 pieces per reel)



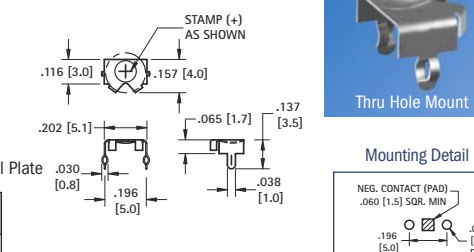
Mounting Detail



Thru Hole Mount

MATERIAL: .006 (.15) Phosphor Bronze, Tin-Nickel Plate


CAT. NO.	BATTERY REFERENCE
2995	ML414



Mounting Detail

AVAILABLE ON TAPE AND REEL

6.8 mm

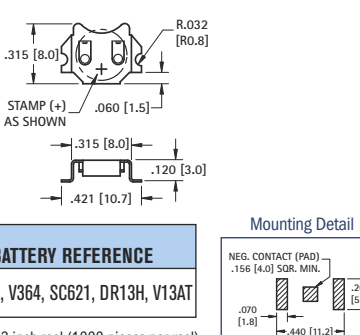


Surface Mount

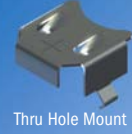
MATERIAL: .010 (.25) Phosphor Bronze

CAT. NO. BULK	ON TAPE & REEL	FINISH	BATTERY REFERENCE
2998	2998TR	Tin-Nickel	MC621, V364, SC621, DR13H, V13AT
3098	3098TR	Matte Tin	

Tape & Reel Spec's: 24mm wide; 12mm pitch; 13 inch reel (1000 pieces per reel)



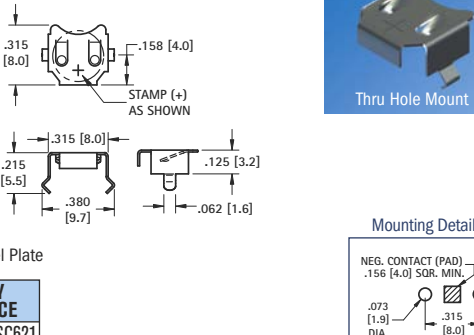
Mounting Detail



Thru Hole Mount

MATERIAL: .010 (.25) Phosphor Bronze, Tin-Nickel Plate


CAT. NO.	BATTERY REFERENCE
2999	MC621, V364, SC621



Mounting Detail

AVAILABLE ON TAPE AND REEL

7.9 mm

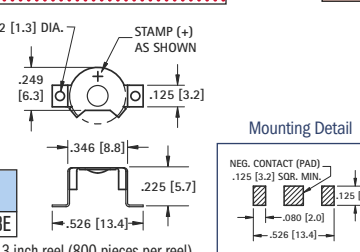


Surface Mount


MATERIAL: .010 (.25) Phosphor Bronze, Gold Plate (Flash)

CAT. NO. BULK	ON TAPE & REEL	BATTERY REFERENCE
2988	2988TR	Size 13, DA13, AZ13E

Tape & Reel Spec's: 24mm wide; 12mm pitch; 13 inch reel (800 pieces per reel)



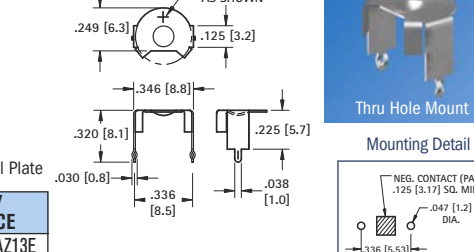
Mounting Detail



Thru Hole Mount

MATERIAL: .010 (.25) Phosphor Bronze, Tin-Nickel Plate


CAT. NO.	BATTERY REFERENCE
2989	Size 13, DA13, AZ13E



Mounting Detail

AVAILABLE ON TAPE AND REEL

9 - 10 mm

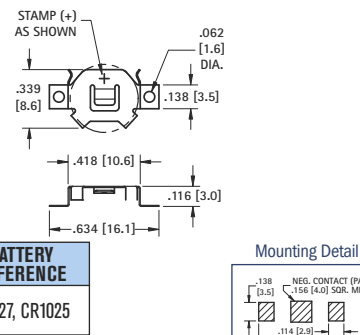


Surface Mount


MATERIAL: .006 (.15) Phosphor Bronze, Tin-Nickel Plate

CAT. NO. BULK	ON TAPE & REEL	FINISH	BATTERY REFERENCE
3030	3030TR	Tin-Nickel	CR927, CR1025
3050	3050TR	Matte Tin	

Tape & Reel Spec's: 24mm wide; 12mm pitch; 13 inch reel (1500 pieces per reel)



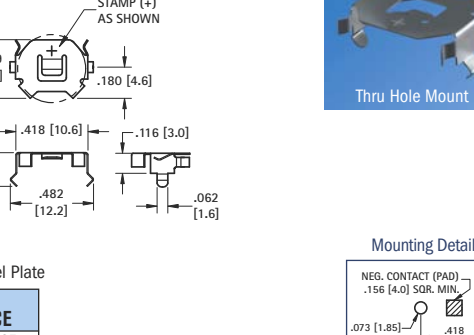
Mounting Detail



Thru Hole Mount

MATERIAL: .006 (.15) Phosphor Bronze, Tin-Nickel Plate


CAT. NO.	BATTERY REFERENCE
3031	CR927, CR1025



Mounting Detail

AVAILABLE ON TAPE AND REEL

11.6 mm

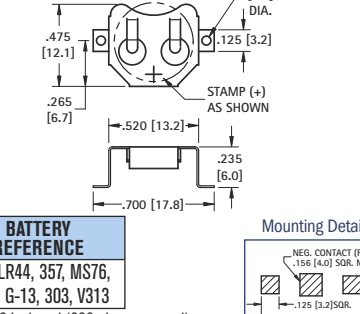


Surface Mount


MATERIAL: .010 (.25) Phosphor Bronze

CAT. NO. BULK	ON TAPE & REEL	FINISH	BATTERY REFERENCE
2996	2996TR	Tin-Nickel	SR44, LR44, 357, MS76,
3096	3096TR	Matte Tin	PX76A, G-13, 303, V313

Tape & Reel Spec's: 32mm wide; 16mm pitch; 13 inch reel (600 pieces per reel)



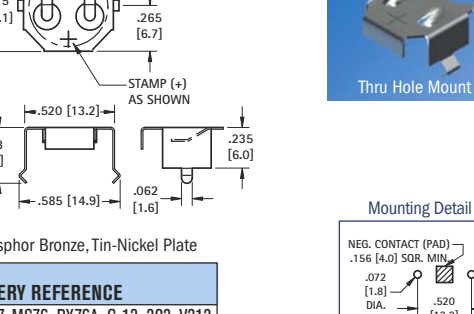
Mounting Detail



Thru Hole Mount

MATERIAL: .010 (.25) Phosphor Bronze, Tin-Nickel Plate

CAT. NO.	BATTERY REFERENCE
2997	SR44, LR44, 357, MS76, PX76A, G-13, 303, V313



Mounting Detail