

THRU HOLE (THM) & SURFACE MOUNT (SMT) BUTTON CELL RETAINERS

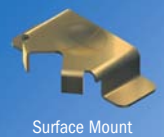
Economical and reliable SMT and THM coin cell retainers specifically designed for miniature electronic applications with limited board space.

- Available in Thru Hole Mount (THM) or Surface Mount (SMT) configurations
- SMT solder tail with "flow-hole" design for increased joint strength
- THM legs maintain relative position during and after soldering
- Ideally suited for High Density packaging
- Reliable spring tension assures low contact resistance
- Retains battery securely to withstand shock and vibration
- Solder tail located outside of retainer body which facilitates visual inspection of the solder joints

4 mm to 12 mm BUTTON CELL RETAINERS

AVAILABLE ON TAPE AND REEL

4.8 mm

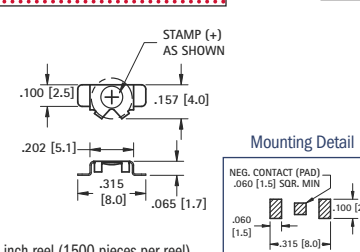


Surface Mount


MATERIAL: .006 (.15) Phosphor Bronze, Gold Plate (Flash)

| CAT. NO. BULK | ON TAPE & REEL | BATTERY REFERENCE |
|---------------|----------------|-------------------|
| 2994 | 2994TR | ML414 |

Tape & Reel Specs: 16mm wide; 8mm pitch; 13 inch reel (1500 pieces per reel)



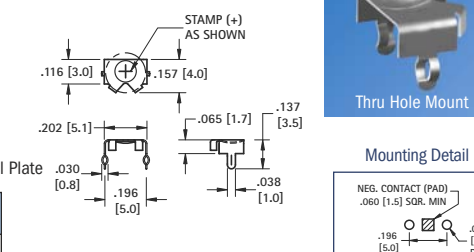
Mounting Detail



Thru Hole Mount

MATERIAL: .006 (.15) Phosphor Bronze, Tin-Nickel Plate


| CAT. NO. | BATTERY REFERENCE |
|----------|-------------------|
| 2995 | ML414 |



Mounting Detail

AVAILABLE ON TAPE AND REEL

6.8 mm

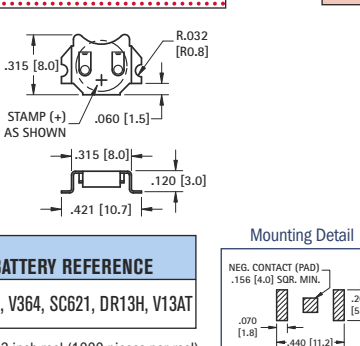


Surface Mount


MATERIAL: .010 (.25) Phosphor Bronze

| CAT. NO. BULK | ON TAPE & REEL | FINISH | BATTERY REFERENCE |
|---------------|----------------|------------|----------------------------------|
| 2998 | 2998TR | Tin-Nickel | MC621, V364, SC621, DR13H, V13AT |
| 3098 | 3098TR | Matte Tin | |

Tape & Reel Specs: 24mm wide; 12mm pitch; 13 inch reel (1000 pieces per reel)



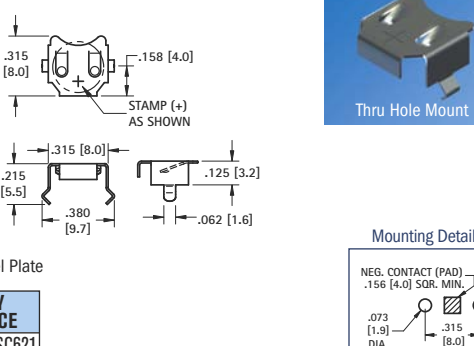
Mounting Detail



Thru Hole Mount

MATERIAL: .010 (.25) Phosphor Bronze, Tin-Nickel Plate


| CAT. NO. | BATTERY REFERENCE |
|----------|--------------------|
| 2999 | MC621, V364, SC621 |



Mounting Detail

AVAILABLE ON TAPE AND REEL

7.9 mm

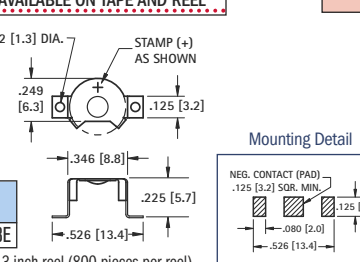


Surface Mount


MATERIAL: .010 (.25) Phosphor Bronze, Gold Plate (Flash)

| CAT. NO. BULK | ON TAPE & REEL | BATTERY REFERENCE |
|---------------|----------------|----------------------|
| 2988 | 2988TR | Size 13, DA13, AZ13E |

Tape & Reel Specs: 24mm wide; 12mm pitch; 13 inch reel (800 pieces per reel)



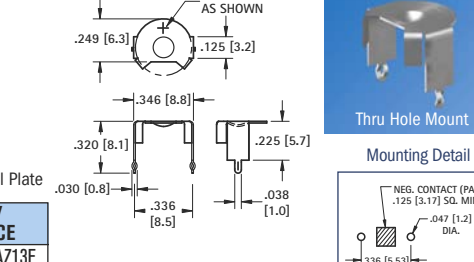
Mounting Detail



Thru Hole Mount

MATERIAL: .010 (.25) Phosphor Bronze, Tin-Nickel Plate


| CAT. NO. | BATTERY REFERENCE |
|----------|----------------------|
| 2989 | Size 13, DA13, AZ13E |



Mounting Detail

AVAILABLE ON TAPE AND REEL

9 - 10 mm

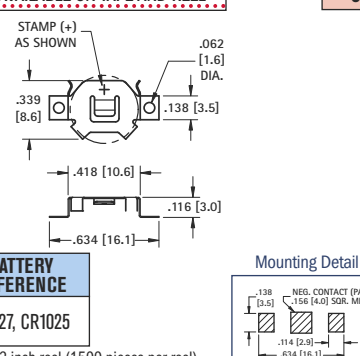


Surface Mount


MATERIAL: .006 (.15) Phosphor Bronze, Tin-Nickel Plate

| CAT. NO. BULK | ON TAPE & REEL | FINISH | BATTERY REFERENCE |
|---------------|----------------|------------|-------------------|
| 3030 | 3030TR | Tin-Nickel | CR927, CR1025 |
| 3050 | 3050TR | Matte Tin | |

Tape & Reel Specs: 24mm wide; 12mm pitch; 13 inch reel (1500 pieces per reel)



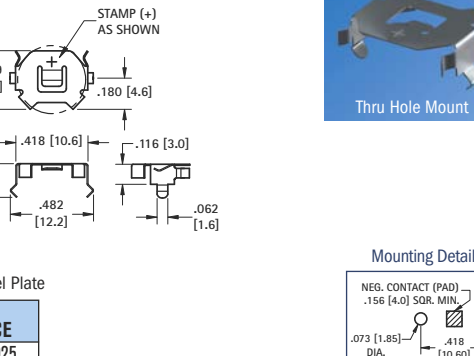
Mounting Detail



Thru Hole Mount

MATERIAL: .006 (.15) Phosphor Bronze, Tin-Nickel Plate


| CAT. NO. | BATTERY REFERENCE |
|----------|-------------------|
| 3031 | CR927, CR1025 |



Mounting Detail

AVAILABLE ON TAPE AND REEL

11.6 mm

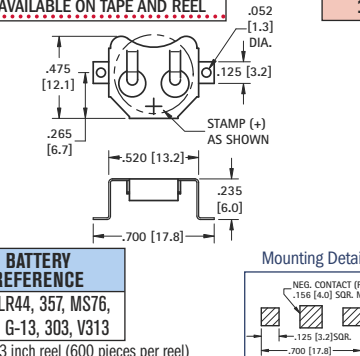


Surface Mount


MATERIAL: .010 (.25) Phosphor Bronze

| CAT. NO. BULK | ON TAPE & REEL | FINISH | BATTERY REFERENCE |
|---------------|----------------|------------|------------------------|
| 2996 | 2996TR | Tin-Nickel | SR44, LR44, 357, MS76, |
| 3096 | 3096TR | Matte Tin | PX76A, G-13, 303, V313 |

Tape & Reel Specs: 32mm wide; 16mm pitch; 13 inch reel (600 pieces per reel)



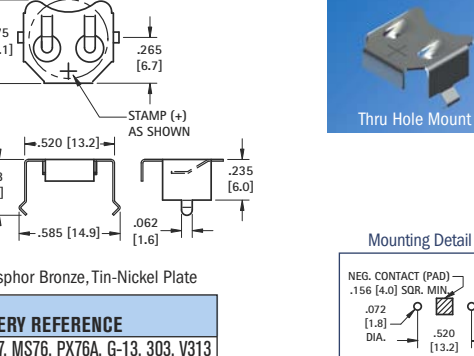
Mounting Detail



Thru Hole Mount

MATERIAL: .010 (.25) Phosphor Bronze, Tin-Nickel Plate

| CAT. NO. | BATTERY REFERENCE |
|----------|---|
| 2997 | SR44, LR44, 357, MS76, PX76A, G-13, 303, V313 |



Mounting Detail