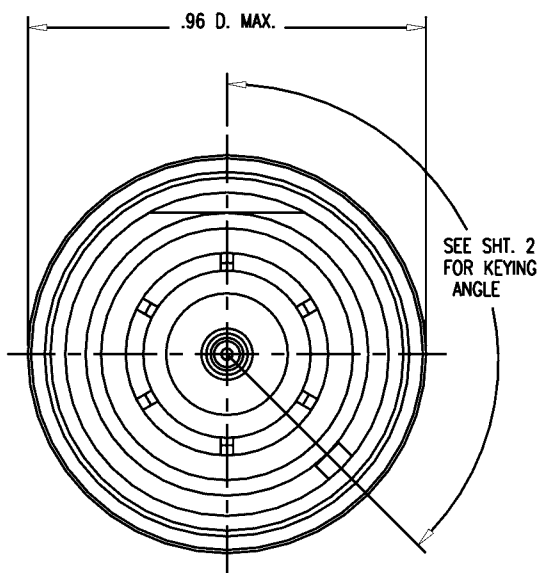
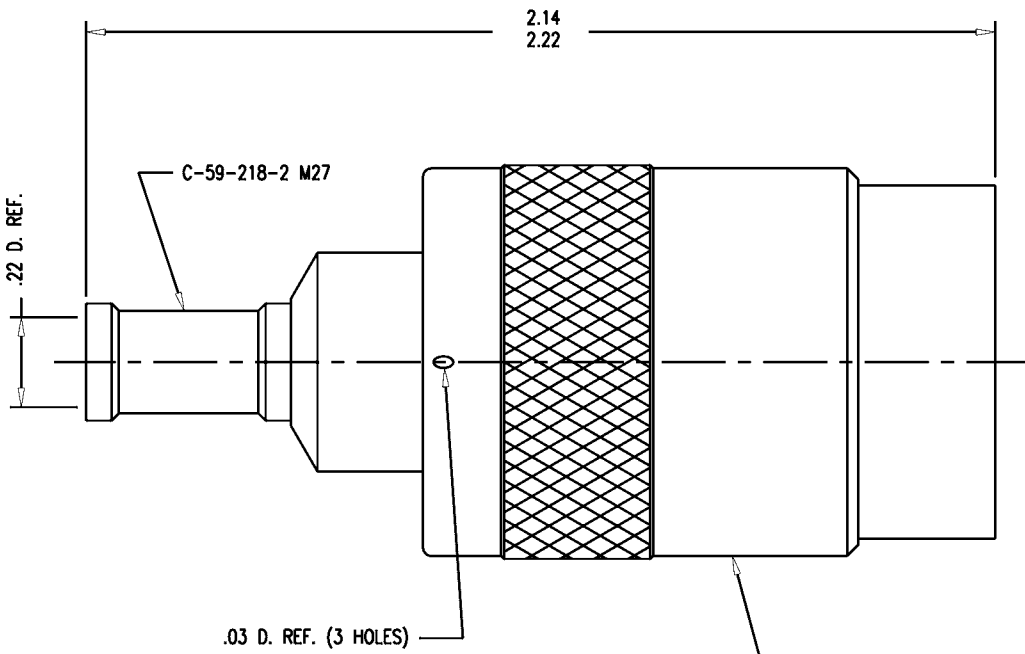


# GSD



- NOTES:**
- FOR USE WITH RG-142B, 223/U, & TIMES AA-6343 CABLES.
  - FOR CABLE TRIMMING USE KTJ-162 & KTD-208.
  - FOR CABLING INSTRUCTIONS SEE CP-489.
  - FOR CRIMPING USE DIE SIZE 101.
  - INTERFACE PER MIL-STD-348, FIG. 309-1 (EX. KEYING).
  - CENTER CONTACT (1-903-18 MA9) SUPPLIED UNASSEMBLED.
  - MARK PACKAGE: KINGS 2985-2-\* YRWK (DATE CODE) SEE SHEET 2
  - MATERIALS:**
    - INSULATOR-TEFLON, ASTM-D-1457
    - GASKET-SILICONE RUBBER, ZZ-R-765
    - K-GRIP SLEEVE-COMMERCIAL BRONZE, ALLOY 220
    - OUTER CONTACT } BER. COP., ASTM-B-196
    - CENTER CONTACT }
    - ALL OTHER METAL PARTS-BRASS, ASTM-B16
  - FINISHES:**
    - CENTER CONTACTS-GOLD PLATE PER MIL-G-45204
    - ALL OTHER METAL PARTS-KINGS TARNISH RESISTANT FINISH (TR-5)
  - ELECTRICAL CHARACTERISTICS:**
    - NOMINAL IMPEDANCE-50 OHMS
    - FREQUENCY RANGE-DC TO 11 GHZ
    - WORKING VOLTAGE-1000 VRMS

STAMP: KINGS 2985-2-\*  
YRWK (DATE CODE) SEE SHEET 2

2985-2-\* (SHEET 1 OF 2)

REVISIONS	
ISSUE	CHANGES
0	ER 30384 KH 02/06/89
1	CN 31044 C JCA 08/08/89
2	CN 38202 C REDRAWN TML 02/20/01

29852S

SCALE 3:1	
APPROX SURFACE AREA	
WAS: E-15485A-D	
USED ON	
REF: BOEING	
<b>PLUG, SC</b> (KEYED)	
DRAWN KH	DATE 02/06/89
DESIGN CT	DATE 02/08/89
APPR. JT	DATE 02/24/89

**KINGS**  
ELECTRONICS CO., INC.  
ROCK HILL, SOUTH CAROLINA 29730

2985-2-\*  
(SHEET 1 OF 2)

# GSD