

## Side element - UMK-SE 11,25-1 - 2970442

Please be informed that the data shown in this PDF Document is generated from our Online Catalog. Please find the complete data in the user's documentation. Our General Terms of Use for Downloads are valid (<http://phoenixcontact.com/download>)

Side element, 11.25 mm wide, without marker groove



### Your advantages

- The modules can be marked using the marking grooves in the lateral element as well as with the Phoenix Contact PMB module marker, which is snapped into a bore hole (4 mm Ø) in the PCB
- Fast assembly thanks to the plug-in module principle. The tight engagement of the individual elements ensures that they are securely connected.
- Wide range of options for external conductor connection
- Due to the universal foot, the modules can be snapped onto standard EN DIN rails
- The mounting flange supports direct wall mounting

### Key Commercial Data

Packing unit	1 pc
Minimum order quantity	50 pc
GTIN	 4 017918 087722
GTIN	4017918087722
Weight per Piece (excluding packing)	5.600 g
Custom tariff number	85389099
Country of origin	Poland

### Technical data

#### General

Housing type	Panel mounting base
Housing material	Polyamide
Color (RAL)	green

## Side element - UMK-SE 11,25-1 - 2970442

### Technical data

#### Dimensions

Depth	77 mm
-------	-------

#### Standards and Regulations

Flammability rating according to UL 94	V2
--	----

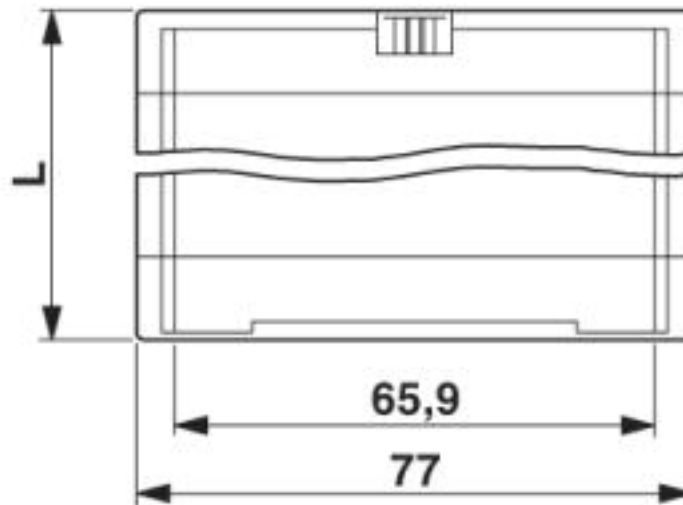
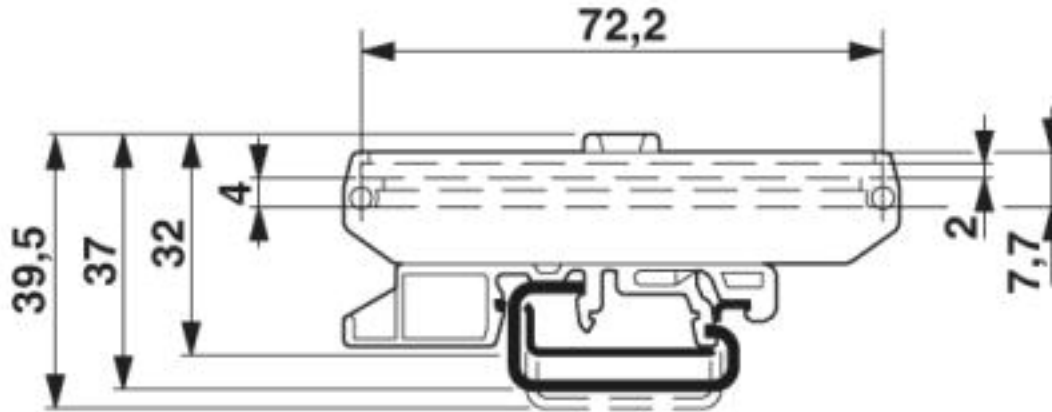
#### Environmental Product Compliance

China RoHS	Environmentally friendly use period: unlimited = EFUP-e
	No hazardous substances above threshold values

### Drawings

## Side element - UMK-SE 11,25-1 - 2970442

Dimensional drawing



### Classifications

eCl@ss

eCl@ss 10.0.1	27182701
eCl@ss 4.0	27180400
eCl@ss 4.1	27180400
eCl@ss 5.0	27180500
eCl@ss 5.1	27180500
eCl@ss 6.0	27180800
eCl@ss 7.0	27182701
eCl@ss 8.0	27182701

# Side element - UMK-SE 11,25-1 - 2970442

## Classifications

eCl@ss

eCl@ss 9.0	27182701
------------	----------

### ETIM

ETIM 2.0	EC001031
ETIM 3.0	EC001031
ETIM 4.0	EC001031
ETIM 5.0	EC002779
ETIM 6.0	EC002779
ETIM 7.0	EC002779

### UNSPSC

UNSPSC 6.01	31261501
UNSPSC 7.0901	31261501
UNSPSC 11	31261501
UNSPSC 12.01	31261501
UNSPSC 13.2	31261501

## Approvals

### Approvals

---

Approvals


UL Recognized / EAC

---

Ex Approvals

---

### Approval details

UL Recognized		<a href="http://database.ul.com/cgi-bin/XYV/template/LISEXT/1FRAME/index.htm">http://database.ul.com/cgi-bin/XYV/template/LISEXT/1FRAME/index.htm</a>	FILE E 240868
---------------	---	---	---------------

EAC			B.01742
-----	---	--	---------

---

