

Solid-state relay terminal block - DEK-OV- 24DC/ 24DC/ 10 - 2964322

Please be informed that the data shown in this PDF Document is generated from our Online Catalog. Please find the complete data in the user's documentation. Our General Terms of Use for Downloads are valid (<http://phoenixcontact.com/download>)



Power solid-state relay terminal block with short-circuit-proof DC voltage output, input: 24 V DC, output: 3 - 33 V DC/10 A

Your advantages

- Actuator version available
- EB-DIK insertion bridges
- Labeling and mounting with user-friendly modular terminal blocks
- Wear-free switching of up to 24 V DC/10 A
- Integrated output protective circuit
- Zero voltage switch at AC output
- Status indicator
- Electrical isolation between input and output at up to 2.5 kVrms
- Integrated input circuit



Key Commercial Data

| | |
|--------------------------------------|---|
| Packing unit | 1 pc |
| GTIN |  4 017918 893194 |
| GTIN | 4017918893194 |
| Weight per Piece (excluding packing) | 27.460 g |
| Custom tariff number | 85364190 |
| Country of origin | China |

Technical data

Note

Solid-state relay terminal block - DEK-OV- 24DC/ 24DC/ 10 - 2964322

Technical data

Note

| | |
|-------------------------|--|
| Utilization restriction | EMC: class A product, see manufacturer's declaration in the download area |
| Note | The housing is open on one side. The appropriate cover is D-DEK 1,5 GN (2716949). |
| Type of note | Note on application |
| Note | Use of EB 80-DIK... bridges in the DEK terminal blocks: Absorption of humidity from the ambient air as well as an unfavorable tolerance between a larger number of DEK terminal blocks and the EB 80-DIK... bridge may cause (minor) expansion of the DEK housing. When the EB 80-DIK... bridges are used, therefore, it is recommended that these be disconnected after about 10 to 12 DEK terminal blocks and a wire bridge to the next DEK terminal block be inserted in their place. |

Dimensions

| | |
|--------|--------|
| Width | 6.2 mm |
| Height | 80 mm |
| Depth | 56 mm |

Ambient conditions

| | |
|---|------------------|
| Ambient temperature (operation) | -20 °C ... 60 °C |
| Ambient temperature (storage/transport) | -20 °C ... 70 °C |

Input data

| | |
|--|-----------------------------|
| Nominal input voltage U_N | 24 V DC |
| Input voltage range in reference to U_N | 0.8 ... 1.2 |
| Input voltage range | 19.2 V DC ... 28.8 V DC |
| Switching threshold "0" signal in reference to U_N | ≤ 0.4 |
| Switching threshold "1" signal in reference to U_N | ≥ 0.8 |
| Typical input current at U_N | 3.5 mA |
| Typical response time | 250 μ s |
| Typical turn-off time | 800 μ s |
| Operating voltage display | Yellow LED |
| Type of protection | Reverse polarity protection |
| | Surge protection |
| Transmission frequency | 100 Hz |
| Power dissipation for nominal condition | 0.5 W |

Output data

| | |
|--|---------------------------|
| Output voltage range | 5 V DC ... 30 V DC |
| Limiting continuous current | 10 A (see derating curve) |
| Surge current | 100 A ($t = 20$ ms) |
| Voltage drop at max. limiting continuous current | ≤ 50 mV |

Solid-state relay terminal block - DEK-OV- 24DC/ 24DC/ 10 - 2964322

Technical data

Output data

| | |
|--------------------|--------------------------------|
| Output circuit | 3-conductor, ground-referenced |
| Type of protection | Reverse polarity protection |
| | Surge protection |

General

| | |
|---------------------------|---------------------------|
| Test voltage input/output | 2.5 kV AC |
| Mounting position | any |
| Assembly instructions | In rows with zero spacing |
| Operating mode | 100% operating factor |

Connection data

| | |
|----------------------------------|---|
| Connection name | Input side |
| Connection method | Screw connection |
| Stripping length | 8 mm |
| Screw thread | M3 |
| Conductor cross section solid | 0.2 mm ² ... 2.5 mm ² |
| Conductor cross section flexible | 0.2 mm ² ... 2.5 mm ² |
| Conductor cross section AWG | 24 ... 14 |
| Torque | 0.5 Nm |

Connection data 2

| | |
|----------------------------------|---|
| Connection name | Output side |
| Connection method | Screw connection |
| Stripping length | 8 mm |
| Screw thread | M3 |
| Conductor cross section solid | 0.2 mm ² ... 2.5 mm ² |
| Conductor cross section flexible | 0.2 mm ² ... 2.5 mm ² |
| Conductor cross section AWG | 24 ... 14 |
| Torque | 0.5 Nm |

Standards and Regulations

| | |
|----------------------------------|-----------------------|
| Connection in acc. with standard | CUL |
| Designation | Standards/regulations |
| Standards/regulations | IEC 60664 |
| | EN 50178 |
| Insulation | Basic insulation |
| Pollution degree | 2 |
| Overvoltage category | II |

Environmental Product Compliance

Solid-state relay terminal block - DEK-OV- 24DC/ 24DC/ 10 - 2964322

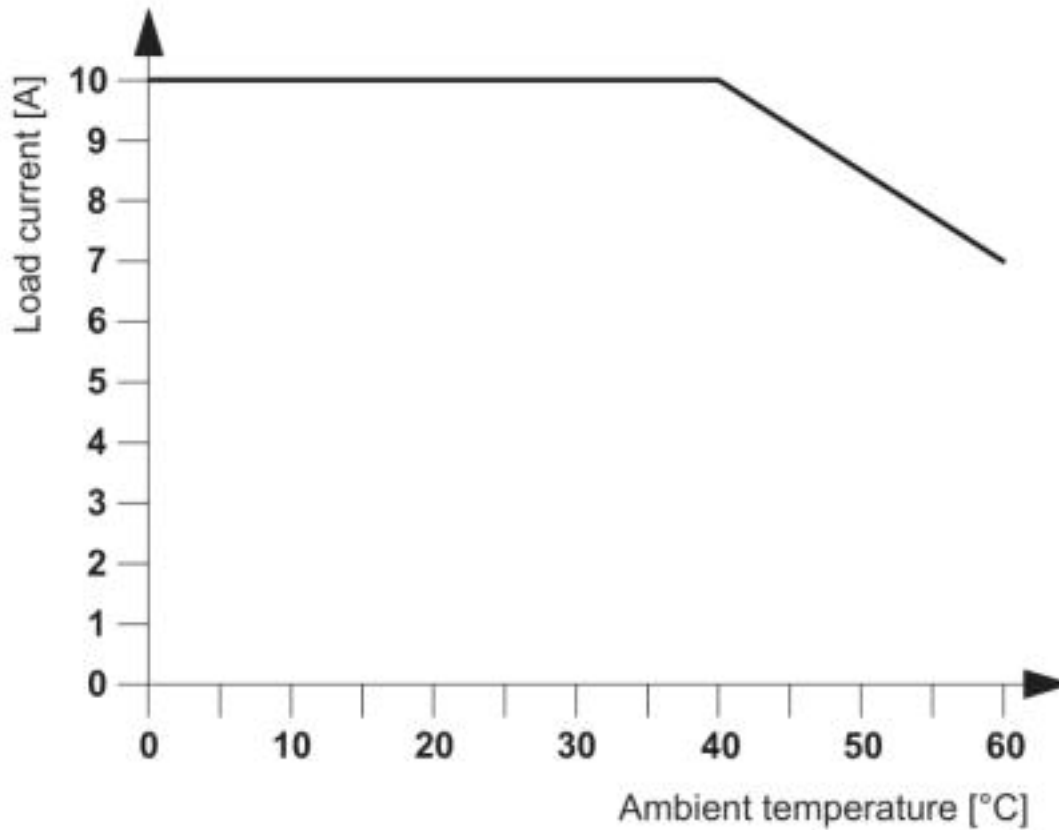
Technical data

Environmental Product Compliance

| | |
|------------|---|
| REACH SVHC | Lead 7439-92-1 |
| China RoHS | Environmentally Friendly Use Period = 50 |
| | For details about hazardous substances go to tab "Downloads", Category "Manufacturer's declaration" |

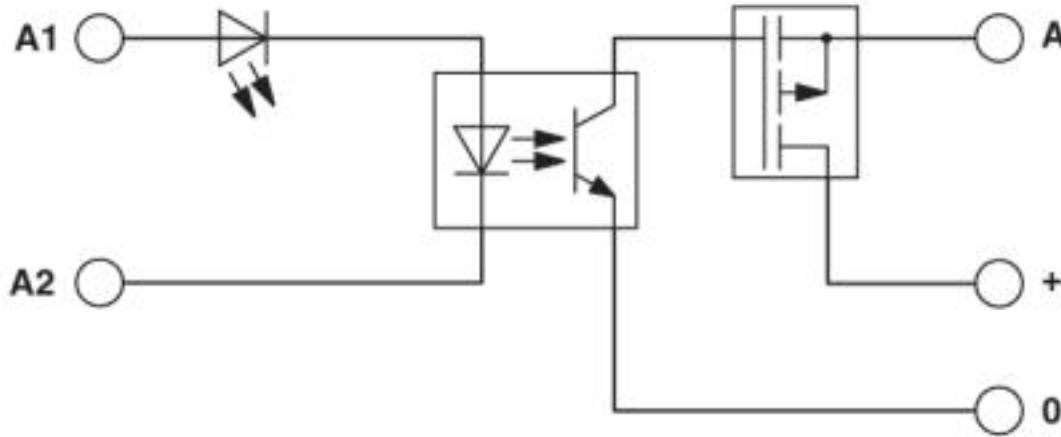
Drawings

Diagram



Solid-state relay terminal block - DEK-OV- 24DC/ 24DC/ 10 - 2964322

Circuit diagram



Classifications

eCl@ss

| | |
|------------|----------|
| eCl@ss 4.0 | 27371100 |
| eCl@ss 4.1 | 27371100 |
| eCl@ss 5.0 | 27371000 |
| eCl@ss 5.1 | 27371000 |
| eCl@ss 6.0 | 27371600 |
| eCl@ss 7.0 | 27371604 |
| eCl@ss 8.0 | 27371604 |
| eCl@ss 9.0 | 27371604 |

ETIM

| | |
|----------|----------|
| ETIM 2.0 | EC001504 |
| ETIM 3.0 | EC001504 |
| ETIM 4.0 | EC001504 |
| ETIM 5.0 | EC001504 |
| ETIM 6.0 | EC001504 |
| ETIM 7.0 | EC001504 |

UNSPSC

| | |
|---------------|----------|
| UNSPSC 6.01 | 30211916 |
| UNSPSC 7.0901 | 39121542 |
| UNSPSC 11 | 39121542 |
| UNSPSC 12.01 | 39121542 |
| UNSPSC 13.2 | 39122326 |

Solid-state relay terminal block - DEK-OV- 24DC/ 24DC/ 10 - 2964322

Approvals

Approvals

Approvals

UL Recognized / cUL Recognized / EAC / cULus Recognized

Ex Approvals

Approval details

| | | | |
|---------------|--|---|---------------|
| UL Recognized | | http://database.ul.com/cgi-bin/XYV/template/LISEXT/1FRAME/index.htm | FILE E 238705 |
|---------------|--|---|---------------|

| | | | |
|----------------|--|---|---------------|
| cUL Recognized | | http://database.ul.com/cgi-bin/XYV/template/LISEXT/1FRAME/index.htm | FILE E 238705 |
|----------------|--|---|---------------|

| | | | |
|-----|--|--|-----------------|
| EAC | | | TR_TS_D_00573_c |
|-----|--|--|-----------------|

| | | | |
|------------------|--|--|--|
| cULus Recognized | | | |
|------------------|--|--|--|

Accessories

Accessories

Insertion bridge

Insertion bridge - EB 2- DIK RD - 2716693



Insertion bridge, pitch: 6.15 mm, number of positions: 2, color: red

Solid-state relay terminal block - DEK-OV- 24DC/ 24DC/ 10 - 2964322

Accessories

Insertion bridge - EB 3- DIK RD - 2716745



Insertion bridge, pitch: 6.15 mm, number of positions: 3, color: red

Insertion bridge - EB 4- DIK RD - 2716758



Insertion bridge, pitch: 6.15 mm, number of positions: 4, color: red

Insertion bridge - EB 5- DIK RD - 2716761



Insertion bridge, pitch: 6.15 mm, number of positions: 5, color: red

Insertion bridge - EB 10- DIK RD - 2716774



Insertion bridge, pitch: 6.15 mm, number of positions: 10, color: red

Insertion bridge - EB 2- DIK BU - 2716648



Insertion bridge, pitch: 6.15 mm, number of positions: 2, color: blue

Solid-state relay terminal block - DEK-OV- 24DC/ 24DC/ 10 - 2964322

Accessories

Insertion bridge - EB 3- DIK BU - 2716651



Insertion bridge, pitch: 6.15 mm, number of positions: 3, color: blue

Insertion bridge - EB 4- DIK BU - 2716664



Insertion bridge, pitch: 6.15 mm, number of positions: 4, color: blue

Insertion bridge - EB 5- DIK BU - 2716677



Insertion bridge, pitch: 6.15 mm, number of positions: 5, color: blue

Insertion bridge - EB 10- DIK BU - 2716680



Insertion bridge, pitch: 6.15 mm, number of positions: 10, color: blue

Insertion bridge - EB 80- DIK BU - 2715940



Insertion bridge, pitch: 6.2 mm, number of positions: 80, color: blue

Solid-state relay terminal block - DEK-OV- 24DC/ 24DC/ 10 - 2964322

Accessories

Insertion bridge - EB 80- DIK RD - 2715953



Insertion bridge, pitch: 6.2 mm, number of positions: 80, color: red

Insertion bridge - EB 80- DIK WH - 2715788



Insertion bridge, pitch: 6.15 mm, number of positions: 80, color: white

Labeled terminal marker

Zack marker strip - ZB 6,LGS:FORTL.ZAHLEN - 1051016



Zack marker strip, Strip, white, labeled, can be labeled with: CMS-P1-PLOTTER, printed horizontally: consecutive numbers 1 ... 10, 11 ... 20, etc. up to 491 ... 500, mounting type: snap into tall marker groove, for terminal block width: 6.2 mm, lettering field size: 6.15 x 10.5 mm, Number of individual labels: 10

Partition plate

Separating plate - D-DEK 1,5 GN - 2716949



Cover for setting the end of a terminal row, color: green

Sensor/actuator terminal block

Solid-state relay terminal block - DEK-OV- 24DC/ 24DC/ 10 - 2964322

Accessories

Sensor/actuator terminal block - DIKD 1,5 - 2715979



Sensor/actuator terminal block, connection method: Screw connection, cross section: 0.2 mm² - 4 mm², AWG: 24 - 12, width: 6.2 mm, color: gray, mounting type: NS 35/7,5, NS 35/15

Terminal marking

Zack marker strip - ZB 6:UNBEDRUCKT - 1051003



Zack marker strip, Strip, white, unlabeled, can be labeled with: PLOTMARK, CMS-P1-PLOTTER, mounting type: snap into tall marker groove, for terminal block width: 6.2 mm, lettering field size: 6.15 x 10.5 mm, Number of individual labels: 10

Zack marker strip - ZB 6/WH-100:UNBEDRUCKT - 5060935



Zack marker strip, Strip, white, unlabeled, can be labeled with: PLOTMARK, CMS-P1-PLOTTER, mounting type: snap into tall marker groove, for terminal block width: 6.2 mm, lettering field size: 6.15 x 10.5 mm, Number of individual labels: 10