

Diode block - EMG 45-DIO14M/LP - 2950132

Please be informed that the data shown in this PDF Document is generated from our Online Catalog. Please find the complete data in the user's documentation. Our General Terms of Use for Downloads are valid (<http://phoenixcontact.com/download>)




Lamp test module, 2 diodes with common cathode: with 7 pairs, with common triggering

The illustration shows version EMG 45-DIO 8 E/LP



Key Commercial Data

Packing unit	1 pc
GTIN	 4 017918 083984
Weight per Piece (excluding packing)	87.68 g
Custom tariff number	85411000
Country of origin	Germany

Technical data

Dimensions

Width	45 mm
Height	75 mm
Depth	55 mm

Ambient conditions

Ambient temperature (operation)	-20 °C ... 50 °C
Ambient temperature (storage/transport)	-40 °C ... 70 °C

General

Max. operating voltage	250 V AC
Peak reverse voltage per diode	1300 V
Reverse current per diode	≤ 5 µA

Diode block - EMG 45-DIO14M/LP - 2950132

Technical data

General

Conducting state voltage per diode	approx. 0.8 V
Conducting state current per diode	0.7 A (with single load)
	0.2 A (with simultaneous loads)
Degree of pollution	2
Overvoltage category	III, basic insulation (as per EN 50178)
Mounting position	any
Assembly instructions	In rows with zero spacing

Connection data

Conductor cross section solid min.	0.2 mm ²
Conductor cross section solid max.	4 mm ²
Conductor cross section flexible min.	0.2 mm ²
Conductor cross section flexible max.	2.5 mm ²
Conductor cross section AWG min.	24
Conductor cross section AWG max.	12
Stripping length	8 mm
Screw thread	M3
Connection method	Screw connection

Standards and Regulations

Low Voltage Directive	Conformance with LV directive 2006/95/EC
Conformance	CE-compliant

Classifications

eCl@ss

eCl@ss 4.0	27250312
eCl@ss 4.1	27260801
eCl@ss 5.0	27260801
eCl@ss 5.1	27260801
eCl@ss 6.0	27242602
eCl@ss 7.0	27242602
eCl@ss 8.0	27371010

ETIM

ETIM 2.0	EC001432
ETIM 3.0	EC001597
ETIM 4.0	EC001597

Diode block - EMG 45-DIO14M/LP - 2950132

Classifications

ETIM

ETIM 5.0	EC000683
----------	----------

UNSPSC

UNSPSC 6.01	30211506
UNSPSC 7.0901	39121008
UNSPSC 11	39121008
UNSPSC 12.01	39121008
UNSPSC 13.2	39121008

Approvals

Approvals

Approvals

EAC

Ex Approvals

Approvals submitted

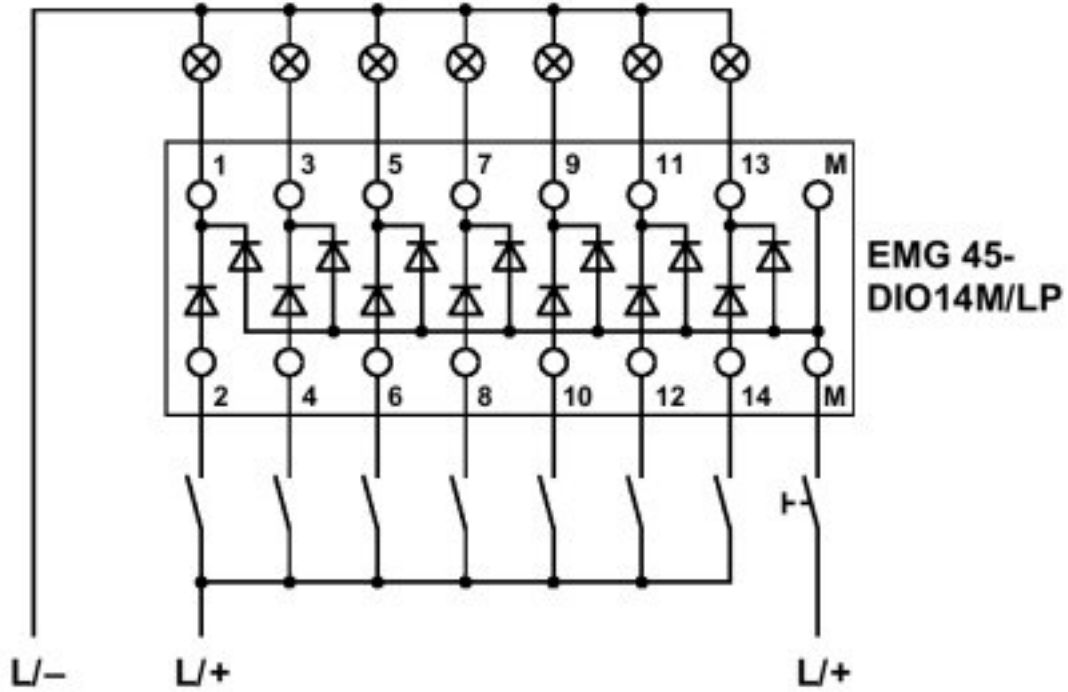
Approval details

EAC

Drawings

Diode block - EMG 45-DIO14M/LP - 2950132

Application drawing



Diode block - EMG 45-DIO14M/LP - 2950132

Circuit diagram

