


DIN rail bus connectors - PSR-TBUS - 2890425

Please be informed that the data shown in this PDF Document is generated from our Online Catalog. Please find the complete data in the user's documentation. Our General Terms of Use for Downloads are valid (<http://phoenixcontact.com/download>)

DIN rail connector for safety switching devices, for supplying/controlling/monitoring (depending on the module)



Key Commercial Data

Packing unit	1 pc
GTIN	 4 046356 091268
GTIN	4046356091268
Weight per Piece (excluding packing)	6.280 g
Custom tariff number	85366990
Country of origin	Germany

Technical data

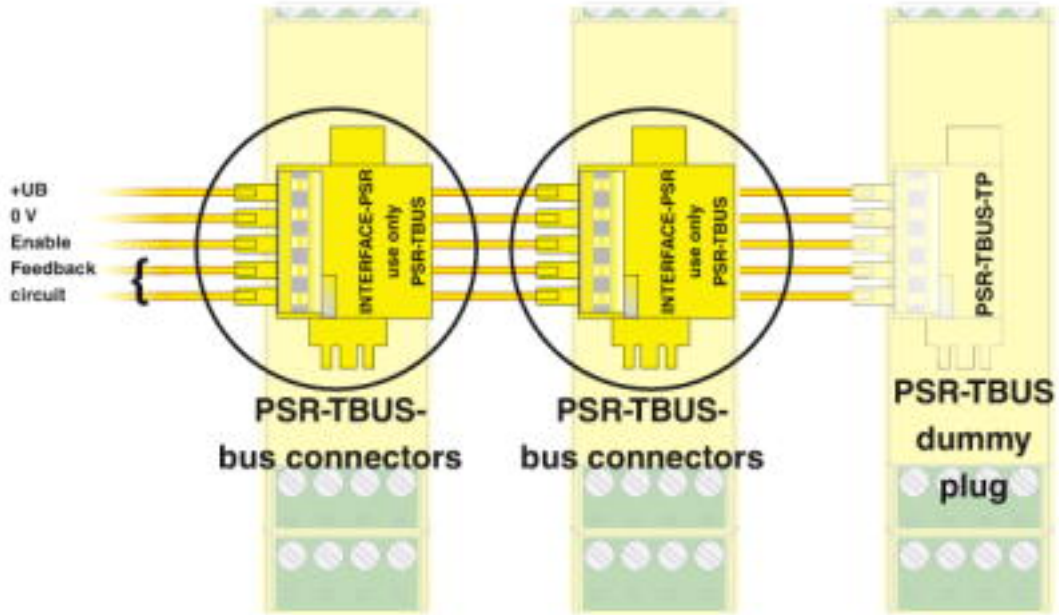
Environmental Product Compliance

China RoHS	Environmentally friendly use period: unlimited = EFUP-e
	No hazardous substances above threshold values

Drawings

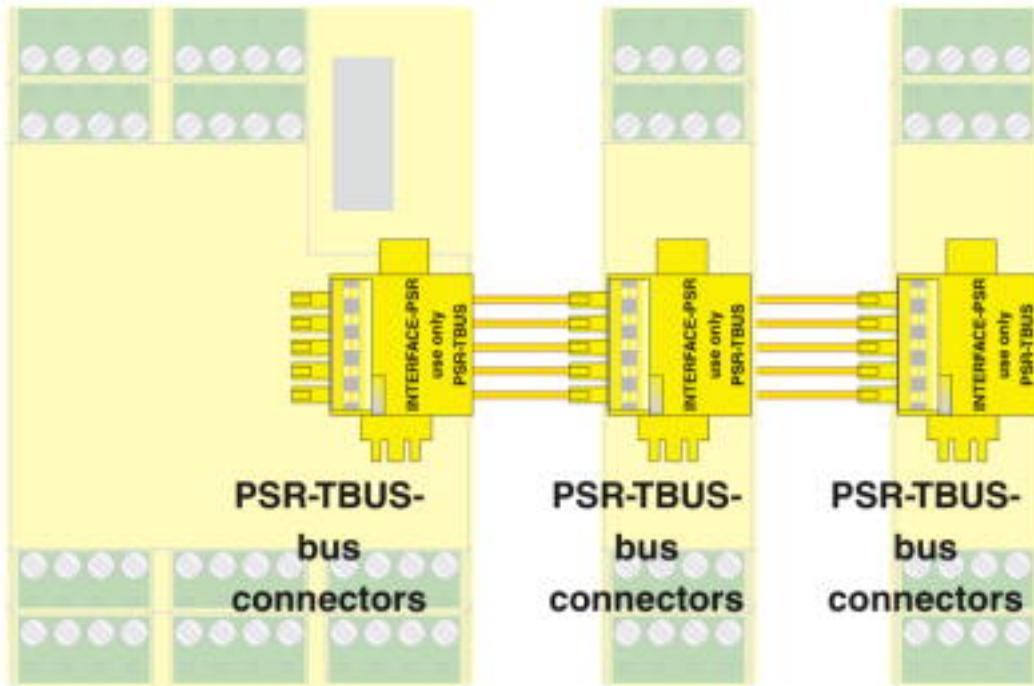
DIN rail bus connectors - PSR-TBUS - 2890425

Connection diagram



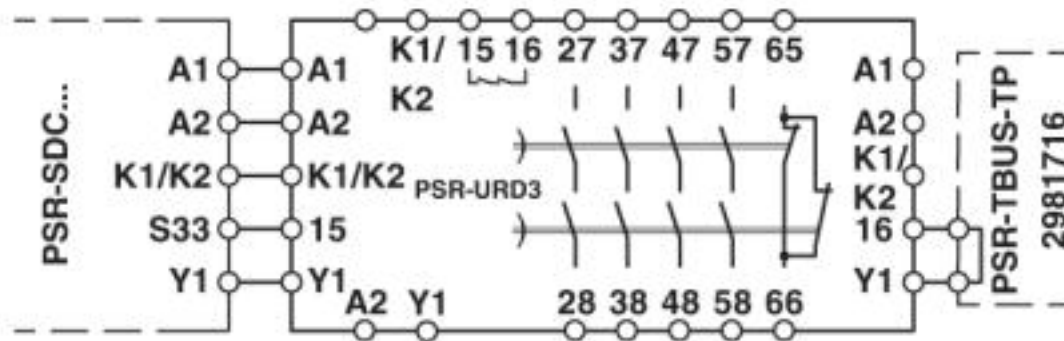
DIN rail bus connectors - PSR-TBUS - 2890425

Connection diagram



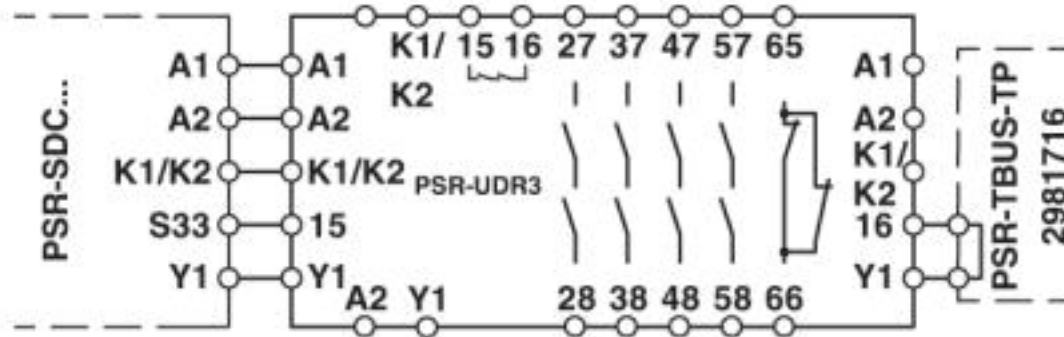
PSR-TBUS with TRISAFE (PSR-TBUS-TP blind plug may not be used)

Circuit diagram



DIN rail bus connectors - PSR-TBUS - 2890425

Circuit diagram



Classifications

eCl@ss

eCl@ss 4.0	27260700
eCl@ss 4.1	27260700
eCl@ss 5.0	27260700
eCl@ss 5.1	27260700
eCl@ss 6.0	27260700
eCl@ss 7.0	27440402
eCl@ss 8.0	27440402
eCl@ss 9.0	27240692

ETIM

ETIM 2.0	EC001449
ETIM 3.0	EC001449
ETIM 4.0	EC001449
ETIM 5.0	EC002637
ETIM 6.0	EC002584
ETIM 7.0	EC002584

UNSPSC

UNSPSC 6.01	30211901
UNSPSC 7.0901	39121501
UNSPSC 11	39121501
UNSPSC 12.01	39121501
UNSPSC 13.2	39121552

Approvals

Approvals

DIN rail bus connectors - PSR-TBUS - 2890425


Approvals

Approvals

EAC / EAC

Ex Approvals

Approval details

EAC		B.01742
-----	---	---------

EAC		RU C- DE.A*30.B.01082
-----	---	--------------------------
