

# 286/287 Series - Square Base Time Delay Relay

## SPDT - 3PDT, 10 Amp



The 286 on delay and 287 off delay are square base, bladed versions of time delay relays. Both AC and DC versions are available. On delays can have up to three poles. The timing circuit is a fully encapsulated precision RC (resistor – capacitor) network typically used in applications where oscillators are not desired. Fixed time and externally adjustable versions are available. The package on this series is typically socket mounted. It can also be panel mounted allowing direct connections to terminals with quick-connects or soldering.

### GENERAL SPECIFICATIONS (@ 25° C)

#### Timing:

Functions Available	On-delay, Off-delay
Time Range	Up to 300 seconds
Timing Adjustment	Knob
Timing Repeatability (Constant voltage and temperature)	3%
Reset Time maximum	150mS
Input Pulse Length minimum	50mS

#### Contacts:

Contact Configuration	SPDT, DPDT, 3PDT
Contact Material	Silver Alloy
Contact Rating	
120 / 240VAC Resistive	10 Amp / 10 Amp
28VDC Resistive	10 Amp
Motor 120VAC	1/3Hp
Motor 240VAC	1/2Hp
Minimum Contact Load	500mW
Contact Resistance, Initial	100 milliohms max @ 6VDC, 1A

#### Coil:

Coils Available	AC and DC
Nominal Coil Power	2.75VA 2W
Input Voltage Tolerance -AC	85% to 110% of nominal
Input Voltage Tolerance -DC	80% to 110% of nominal
Transient Protection	Yes
Reverse Polarity Protection	Yes
Duty	Continuous

#### Dielectric Strength:

Across Open Contacts	500Vrms
Between Mutually Insulated Points	1500Vrms
Insulation Resistance	1,000 Mohms min @ 500VDC

#### Temperature:

Operating	-20 to 70°C (-4 to 158°F)
Storage	-40 to 85°C (-40 to 185°F)

#### Life Expectancy:

Electrical (full load operations)	100,000
Mechanical (no load operations)	10,000,000

#### Miscellaneous:

Mounting Position	Any
Mating Socket	SK-SQB11-DS
Enclosure	Clear Polycarbonate
Weight	5.0oz (142 grams)



# Timer / Sensor - Time Delay & Sensor Relays

## 5 - 25 Amp

**Ordering Code** 286 XAX C 001 F 120VAC

**series**

286 - On delay  
287 - Off delay

**Contact Arrangement**

XAX (SPDT) - (1 form C)  
XBX (DPDT) - (2 form C)  
XCX (3PDT) - (3 form C)

**Mounting Options**

C - Plug-in  
C1 - Bracket  
CS1 - Top stud  
C2 - Side tapped hole  
CS2 - Side stud

**Timing Ranges**

0.1 - 1.0 Seconds - CODE 001  
0.2 - 2.0 Seconds - CODE 002  
1.0 - 10 Seconds - CODE 010  
3.0 - 30 Seconds - CODE 033  
6.0 - 60 Seconds - CODE 060  
18 - 180 Seconds - CODE 180  
30 - 300 Seconds - CODE 300

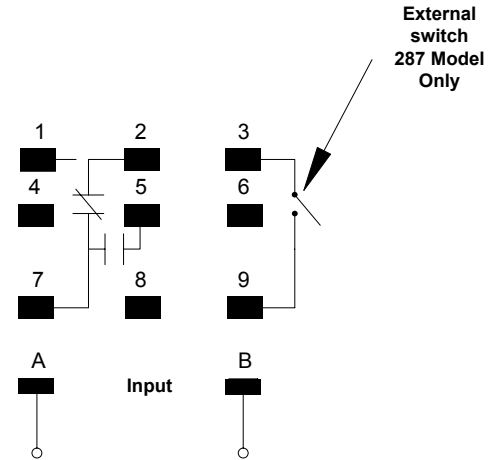
**Adjustment Options**

Adjustment knob - No CODE  
Fixed - Specify fixed time - CODE F  
Remote adjustment - CODE R

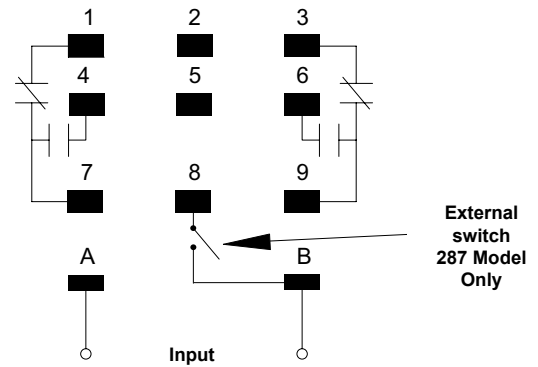
**Operating Voltage**

AC: 24, 48, 120, 240, (Add VAC)  
DC: 12, 24, 48, 115-125 (Add VDC)

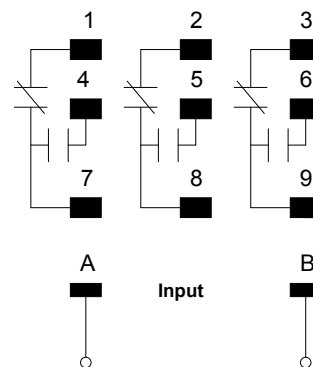
**286/287 Wire Diagram**



**286XAX**



**286XBX  
287XBX**



**On delay  
286XCX**

Section 7

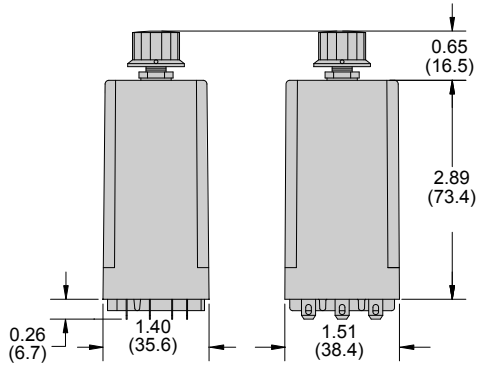
# 286/287 Series - Square Base Time Delay Relay

## SPDT - 3PDT, 10 Amp

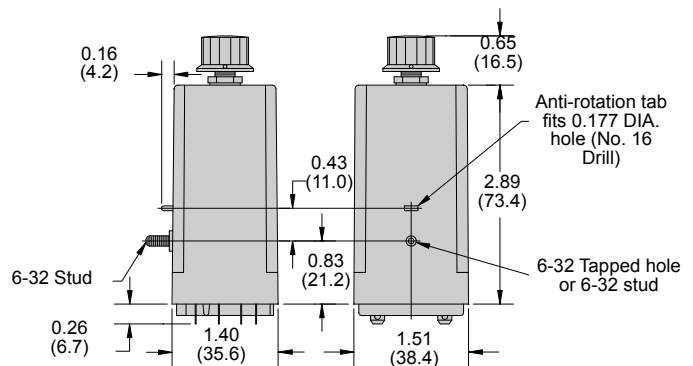
### Outline Dimensions

Dimensions Shown in inches & (millimeters)

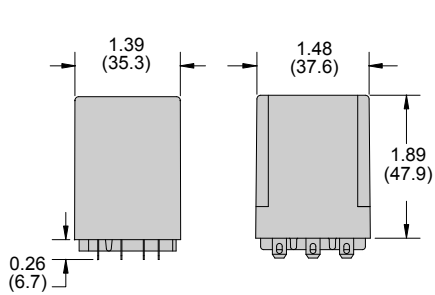
#### Plug-in, Adjustable Timing



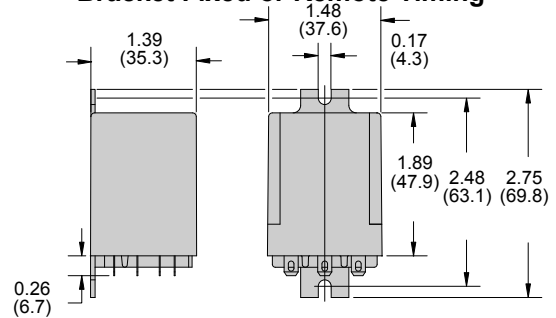
#### Side Stud or Tapped Hole, Adjustable Timing



#### Plug-in Fixed or Remote Timing



#### Bracket Fixed or Remote Timing



### 286 Series



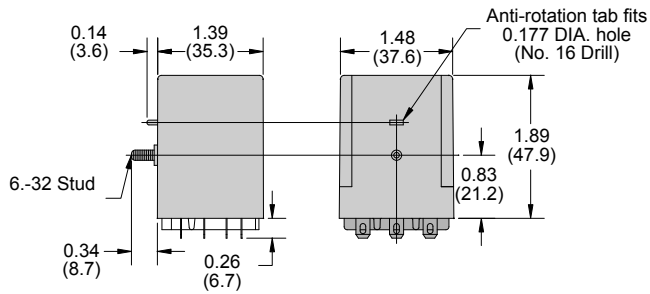
# Timer / Sensor - Time Delay & Sensor Relays

## 5 - 25 Amp

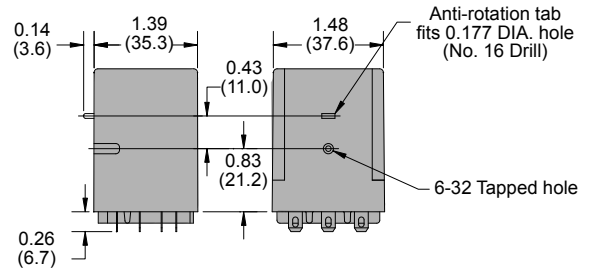
### Outline Dimensions

Dimensions Shown in inches & (millimeters)

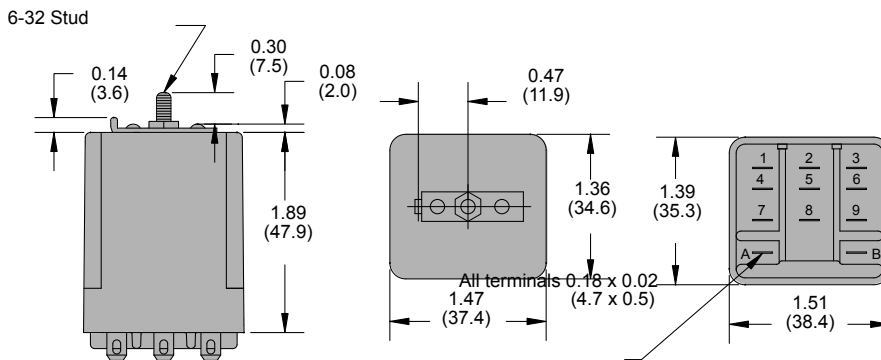
#### Side Stud, Fixed or remote Timing



#### Side Tapped Hole, Fixed or Remote Timing



#### Top Stud Fixed or Remote Timing



Note:  
Bracket & top stud not available with adjustable timing

### 287 Series

