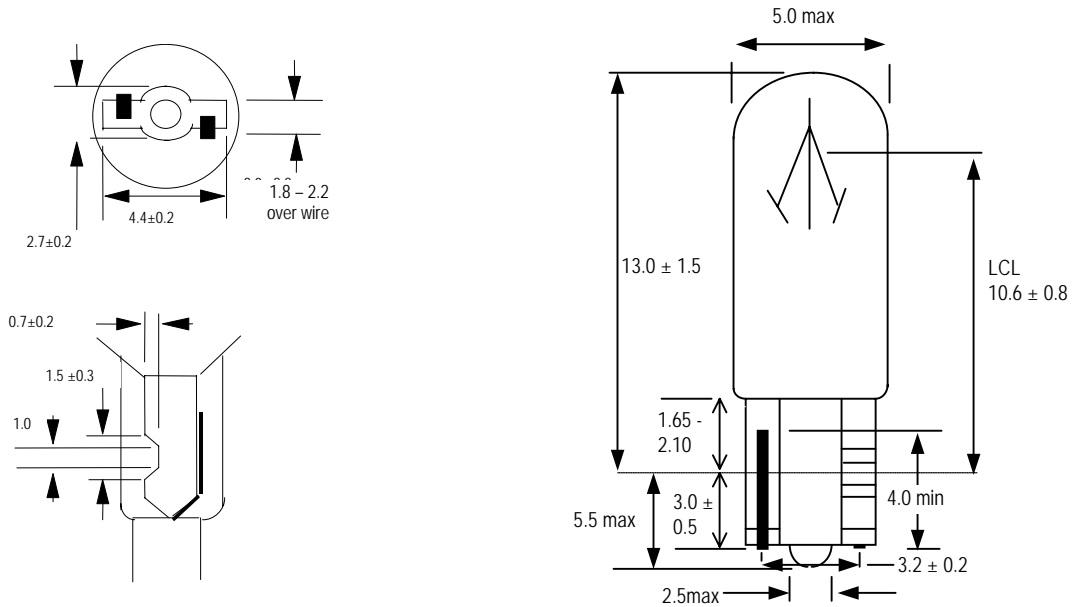


Description : **T-1½(5mm) Lead-free Wedge base lamp 12V 1.28W**

Dimensional Characteristics : All dimensions in mm



Marking

VCH XYZ
12/1.2L

X = machine code
Y = year code
Z = week code

Performance Characteristics @ **13.5** volts

	Nominal	Minimum	Maximum
Current(mA)	95	86	104
Light output(Lm)	7.0	6.0	8.0
Life(hrs)	6,200 [B _{63.2}]		