

Type 2 surge arrester - VAL-MS 320/3+1/FM-UD - 2856689

Please be informed that the data shown in this PDF Document is generated from our Online Catalog. Please find the complete data in the user's documentation. Our General Terms of Use for Downloads are valid (<http://phoenixcontact.com/download>)



Surge voltage arrester consisting of base element with remote indicator contact and ground connectors, for mounting on NS 35/7.5, nominal voltage: 320 V AC, 3 + 1 circuit

The illustration shows the version VAL-MS 120/3+1/FM-UD

Product Features

- With or without floating remote indication contact
- Multi-channel type 2 arresters
- Mechanical coding of all slots
- Type 2 consistent plug-in surge arresters
- Optical, mechanical status indication for the individual arresters
- Disconnect device on each individual plug



Key Commercial Data

Packing unit	1 pc
Weight per Piece (excluding packing)	420.0 g
Custom tariff number	85363030
Country of origin	Germany

Technical data

Dimensions

Height	99 mm
Width	71 mm
Depth	65.5 mm
Horizontal pitch	4 Div.

Ambient conditions

Type 2 surge arrester - VAL-MS 320/3+1/FM-UD - 2856689

Technical data

Ambient conditions

Degree of protection	IP20 (only when all terminal points are used)
Ambient temperature (operation)	-40 °C ... 80 °C
Ambient temperature (storage/transport)	-40 °C ... 80 °C
Altitude	≤ 2000 m (amsl (above mean sea level))
Permissible humidity (operation)	5 % ... 95 %
Shock (operation)	25g (half sinus / 11 ms / 3x ±X, ±Y, ±Z)
Vibration (operation)	5g (10 ... 500 Hz / 2.5 h / X, Y, Z)

General

Standards/specifications	IEC 61643-11 2011
	EN 61643-11 2012
IEC test classification	II
	T2
EN type	T2
IEC power supply system	TN-S
	TT
Number of ports	One
SPD design	Combination type
Mode of protection	L-N
	L-PE
	N-PE
Mounting type	DIN rail: 35 mm
Color	jet black RAL 9005
Housing material	PA 6.6
	PBT
Degree of pollution	2
Flammability rating according to UL 94	V-0
Type	DIN rail module, two-section, divisible
Number of positions	4
Surge protection fault message	Optical, remote indicator contact

Protective circuit

Nominal voltage U_N	240/415 V AC (TN-S)
	240/415 V AC (TT)
Nominal frequency f_N	50 Hz (60 Hz)
Maximum continuous operating voltage U_C (L-N)	335 V AC
Maximum continuous operating voltage U_C (L-PE)	335 V AC
Maximum continuous voltage U_C (N-PE)	260 V AC

Type 2 surge arrester - VAL-MS 320/3+1/FM-UD - 2856689

Technical data

Protective circuit

Rated load current I_L	80 A
Residual current I_{PE}	$\leq 5 \mu\text{A}$
Standby power consumption P_C	$\leq 450 \text{ mVA}$
Nominal discharge current I_n (8/20) μs	20 kA
Maximum discharge current I_{max} (8/20) μs	40 kA
Follow current interrupt rating I_{fi} (N-PE)	100 A (260 V)
Short-circuit current rating I_{SCCR}	25 kA
Voltage protection level U_p (L-N)	$\leq 1.6 \text{ kV}$
Voltage protection level U_p (L-PE)	$\leq 1.9 \text{ kV}$
Voltage protection level U_p (N-PE)	$\leq 1.5 \text{ kV}$
Residual voltage U_{res} (L-N)	$\leq 1.6 \text{ kV}$ (at I_n)
	$\leq 1.5 \text{ kV}$ (at 10 kA)
	$\leq 1.3 \text{ kV}$ (at 5 kA)
	$\leq 1.1 \text{ kV}$ (at 3 kA)
Residual voltage U_{res} (L-PE)	$\leq 1.9 \text{ kV}$ (at I_n)
	$\leq 1.5 \text{ kV}$ (at 10 kA)
	$\leq 1.3 \text{ kV}$ (at 5 kA)
	$\leq 1.2 \text{ kV}$ (at 3 kA)
Residual voltage U_{res} (N-PE)	$\leq 0.4 \text{ kV}$ (at I_n)
	$\leq 0.25 \text{ kV}$ (at 10 kA)
	$\leq 0.15 \text{ kV}$ (at 5 kA)
	$\leq 0.1 \text{ kV}$ (at 3 kA)
Front of wave sparkover voltage at 6 kV (1.2/50) μs (N-PE)	$\leq 1.5 \text{ kV}$
TOV behavior at U_T (L-N)	415 V AC (5 s / withstand mode)
	440 V AC (120 min / safe failure mode)
TOV behavior at U_T (N-PE)	1200 V AC (200 ms / withstand mode)
Response time t_A (L-N)	$\leq 25 \text{ ns}$
Response time t_A (N-PE)	$\leq 100 \text{ ns}$
Max. backup fuse with branch wiring	125 A (gG)
Max. backup fuse with V-type through wiring	80 A (gG)

Indicator/remote signaling

Connection name	Remote fault indicator contact
Switching function	PDT contact
Operating voltage	5 V AC ... 250 V AC
	30 V DC
Operating current	5 mA AC ... 750 mA

Type 2 surge arrester - VAL-MS 320/3+1/FM-UD - 2856689

Technical data

Indicator/remote signaling

	1 A
Connection method	Screw connection
Screw thread	M2
Tightening torque	0.25 Nm
Stripping length	7 mm
Conductor cross section flexible	0.14 mm ² ... 1.5 mm ²
Conductor cross section solid	0.14 mm ² ... 1.5 mm ²
Conductor cross section AWG	28 ... 16

Connection data

Connection method	Screw connection
Conductor cross section flexible	1.5 mm ² ... 25 mm ²
Conductor cross section solid	1.5 mm ² ... 35 mm ²
Conductor cross section AWG	15 ... 2
Screw thread	M5
Tightening torque	4.5 Nm
Stripping length	16 mm

UL specifications

SPD Type	4CA
Maximum continuous operating voltage MCOV (L-L)	640 V AC
Maximum continuous operating voltage MCOV (L-N)	320 V AC
Maximum continuous operating voltage MCOV (L-G)	320 V AC
Maximum continuous operating voltage MCOV (N-G)	260 V AC
Nom. voltage	240/415 V AC
Mode of protection	L-L
	L-N
	L-G
	N-G
Power distribution system	3Y
Nominal frequency	50/60 Hz
Measured limiting voltage MLV (L-L)	2900 V
Measured limiting voltage MLV (L-N)	2030 V
Measured limiting voltage MLV (L-G)	2720 V
Measured limiting voltage MLV (N-G)	1370 V
Nominal discharge current I _n (L-L)	20 kA
Nominal discharge current I _n (L-N)	20 kA
Nominal discharge current I _n (L-G)	20 kA

Type 2 surge arrester - VAL-MS 320/3+1/FM-UD - 2856689

Technical data

UL specifications

Nominal discharge current I_n (N-G)	20 kA
---------------------------------------	-------

UL indicator/remote signaling

Operating voltage	125 V AC
Operating current	1 A
Tightening torque	4 lb _F -in.
Conductor cross section AWG	30 ... 14

UL connection data

Conductor cross section AWG	10 ... 2
Tightening torque	30 lb _F -in.

Classifications

eCl@ss

eCl@ss 4.0	27140201
eCl@ss 4.1	27130801
eCl@ss 5.0	27130801
eCl@ss 5.1	27130801
eCl@ss 6.0	27130805
eCl@ss 7.0	27130805
eCl@ss 8.0	27130805
eCl@ss 9.0	27130805

ETIM

ETIM 2.0	EC000941
ETIM 3.0	EC000941
ETIM 4.0	EC000941
ETIM 5.0	EC000941

UNSPSC

UNSPSC 6.01	30212010
UNSPSC 7.0901	39121610
UNSPSC 11	39121610
UNSPSC 12.01	39121610
UNSPSC 13.2	39121620

Approvals

Approvals

Type 2 surge arrester - VAL-MS 320/3+1/FM-UD - 2856689

Approvals

Approvals


UL Recognized / KEMA-KEUR / cUL Recognized / ÖVE / CCA / IECCEB Scheme / EAC / EAC / CSA / cULus Recognized

Ex Approvals

Approvals submitted

Approval details


UL Recognized 

KEMA-KEUR 

cUL Recognized 

ÖVE 

CCA

IECEE CB Scheme 

EAC

EAC

Type 2 surge arrester - VAL-MS 320/3+1/FM-UD - 2856689

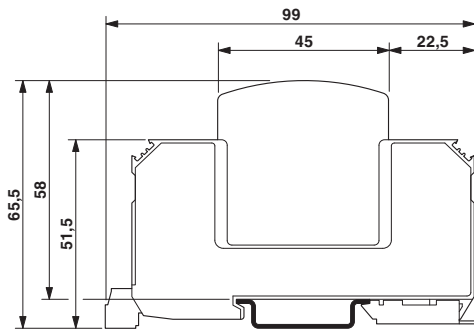
Approvals

CSA

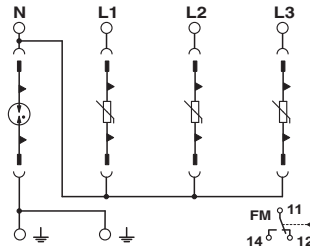
cULus Recognized US

Drawings

Dimensional drawing



Circuit diagram



Type 2 surge arrester - VAL-MS 320/3+1/FM-UD - 2856689

Application drawing

