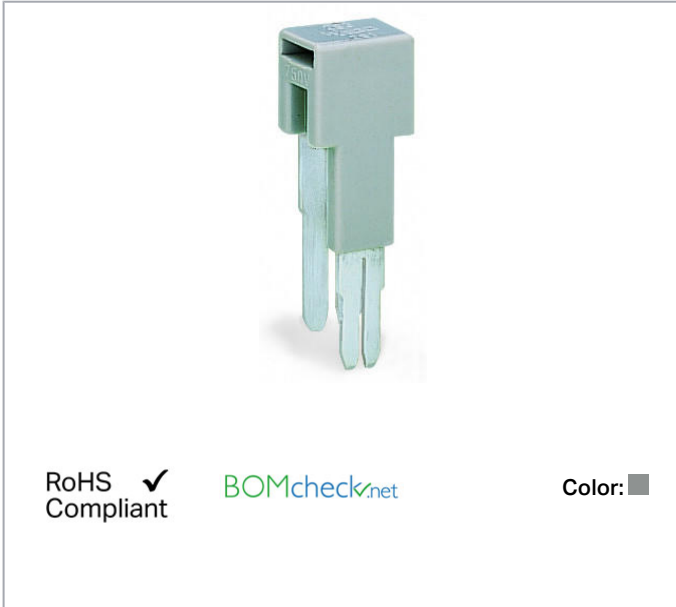


## Data sheet | Item number: 283-414

Step-down jumper; insulated; gray

[www.wago.com/283-414](http://www.wago.com/283-414)



### Data

#### Electrical data

#### Ratings per IEC/EN 60664-1

Rated current	32 A
---------------	------

#### Physical data

Width	8 mm / 0.315 inch
Depth	13 mm / 0.512 inch

#### Material Data

Color	gray
Fire load	0.038 MJ
Weight	4.9 g

#### Commercial data

Product Group	1 (Rail Mounted Terminal Blocks)
---------------	----------------------------------

Subject to changes. Please also observe the further product documentation!

WAGO Kontakttechnik GmbH & Co. KG  
Hansastr. 27  
32423 Minden  
Phone: +49571 887-0 | Fax: +49571 887-169  
Email: [info.de@wago.com](mailto:info.de@wago.com) | Web: [www.wago.com](http://www.wago.com)

Do you have any questions about our products?  
We are always happy to take your call at 01788 568 008.



Packaging type	BOX
Country of origin	DE
GTIN	4044918398589
Customs tariff number	85366990990

## Counterpart

## Downloads

### Documentation

#### Bid Text

283-414 GAEB X81 - Datei	19-Feb-2019	xml 2.6 kB	Download
-----------------------------	-------------	---------------	----------

283-414 doc - Datei	12-Jun-2017	doc 23.6 kB	Download
------------------------	-------------	----------------	----------

#### Additional Information

Technical explanations	03-Apr-2019	pdf 2.2 MB	Download
------------------------	-------------	---------------	----------

## CAD/CAE-Data

### CAD data

2D/3D Models 283-414	URL	Download
----------------------	-----	----------

### CAE data

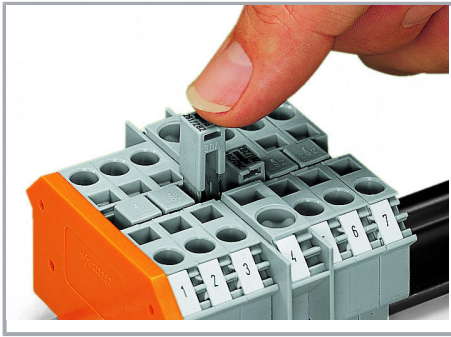
WSCAD Universe 283-414	URL	Download
------------------------	-----	----------

ZUKEN Portal 283-414	URL	Download
----------------------	-----	----------

## Installation Notes

### Commoning

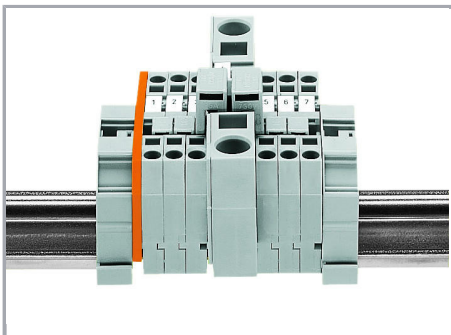
Subject to changes. Please also observe the further product documentation!



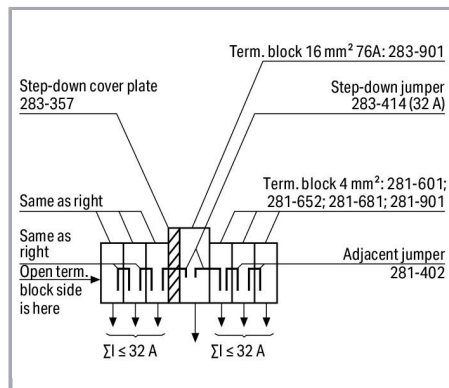
Commoning terminal blocks of different sizes – step down.

Push down the step-down jumper until fully inserted.

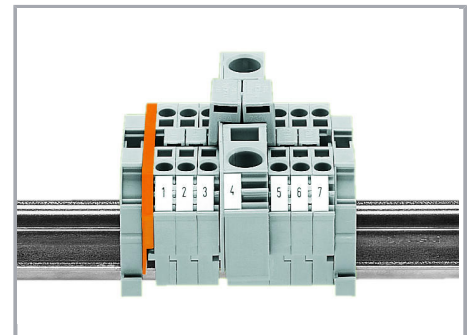
### Commoning



Commoning from 16 mm<sup>2</sup>/6 AWG (283 Series) to 4 mm<sup>2</sup>/12 AWG (281 Series) rail-mount terminal blocks via step-down jumpers.

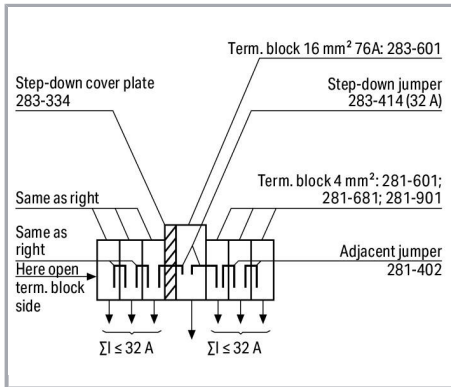


Assembly example: Commoning from 16 mm<sup>2</sup>/6 AWG to 4 mm<sup>2</sup>/12 AWG rail-mount terminal blocks via step-down jumper (283-414).

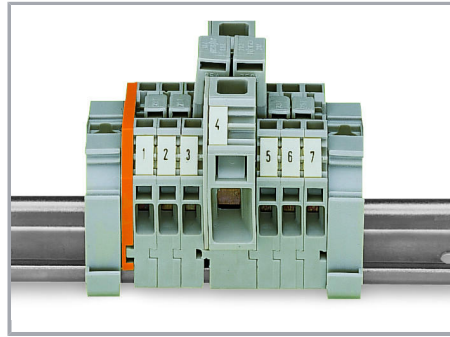


Commoning from 16 mm<sup>2</sup>/6 AWG (283 Series) to 4 mm<sup>2</sup>/12 AWG (281 Series) rail-mount terminal blocks via step-down jumpers.

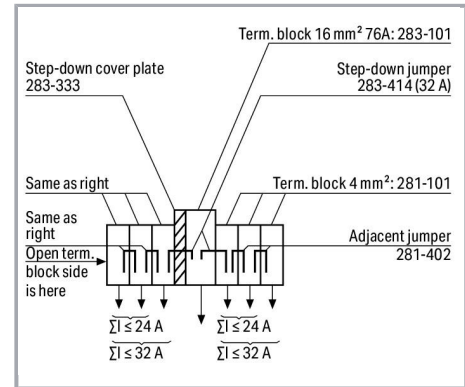
Subject to changes. Please also observe the further product documentation!



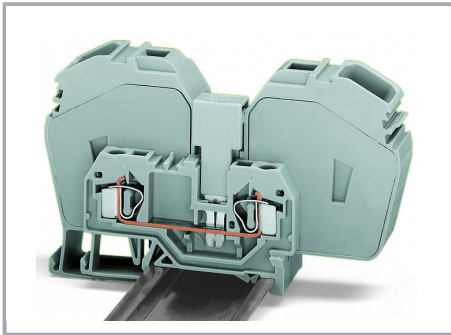
Assembly example: Commoning from 16 mm<sup>2</sup>/6 AWG to 4 mm<sup>2</sup>/12 AWG rail-mount terminal blocks via step-down jumper (283-414).



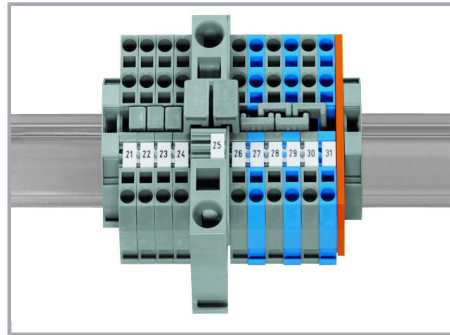
Commoning from 16 mm<sup>2</sup>/6 AWG (283 Series) to 4 mm<sup>2</sup>/12 AWG (281 Series) rail-mount terminal blocks via step-down jumpers.



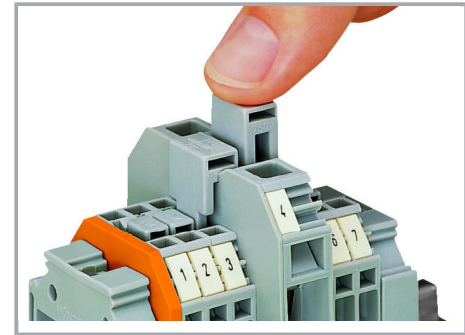
Assembly example: Commoning from 16 mm<sup>2</sup>/6 AWG to 4 mm<sup>2</sup>/12 AWG rail-mount terminal blocks via step-down jumper (283-414).



Commoning with step-down jumper (283-414) from 285 Series (35 mm<sup>2</sup>/2 AWG) to 281 Series terminal blocks (4 mm<sup>2</sup>/12 AWG).



Commoning from 16 mm<sup>2</sup>/6 AWG (283 Series) to 4 mm<sup>2</sup>/12 AWG (281 Series) rail-mount terminal blocks via step-down jumpers.



Commoning side-entry rail-mount terminal blocks via step-down jumpers.

Step down jumper down until fully inserted.

Subject to changes. Please also observe the further product documentation!