

Surge protection device - D-LAN-A/RJ45-BS - 2818973

Please be informed that the data shown in this PDF Document is generated from our Online Catalog. Please find the complete data in the user's documentation. Our General Terms of Use for Downloads are valid (<http://phoenixcontact.com/download>)



Attachment connector with surge protection for LAN interfaces. Connection: RJ45 sockets



Key Commercial Data

Packing unit	1 pc
Weight per Piece (excluding packing)	151.0 g
Custom tariff number	85363010
Country of origin	Germany

Technical data

Ambient conditions

Ambient temperature (operation)	-40 °C ... 80 °C
Degree of protection	IP20

General

Color	black
Standards for clearances and creepage distances	DIN VDE 0110-1
	IEC 60664-1
Overvoltage category	II
Degree of pollution	2
Type	Attachment plug
Direction of action	Line-Line & Line-Shield & Shield-Earth Ground

Protective circuit

IEC test classification	C1
	C2
	C3
	B2

Surge protection device - D-LAN-A/RJ45-BS - 2818973

Technical data

Protective circuit

VDE requirement class	C1
	C2
	C3
	B2
Maximum continuous voltage U_C (wire-ground)	± 11 V DC
Nominal current I_N	1.5 A (25 °C)
Operating effective current I_C at U_C	≤ 1 mA
Residual current I_{PE}	≤ 1 μ A
Nominal discharge current I_n (8/20) μ s (Core-Core)	350 A
Nominal discharge current I_n (8/20) μ s (Core-Earth)	2.5 kA
Max. discharge current I_{max} (8/20) μ s maximum (Core-Core)	350 A
Max. discharge current I_{max} (8/20) μ s maximum (Core-Earth)	2.5 kA
Nominal pulse current I_{an} (10/700) μ s (Core-Core)	160 A
Nominal pulse current I_{an} (10/700) μ s (Core-Earth)	160 A
Output voltage limitation at 1 kV/ μ s (Core-Core) static	≤ 30 V
Output voltage limitation at 1 kV/ μ s (Core-Earth) static	≤ 500 V
Output voltage limitation (10/700) μ s (core-core)	≤ 12 V
Output voltage limitation (10/700) μ s (Core-Earth)	≤ 200 V
Residual voltage at I_n (conductor-conductor)	≤ 37 V
Residual voltage at I_n (conductor-ground)	≤ 70 V
Voltage protection level U_p (core-core)	≤ 30 V (C1, 500 V/250 A)
	≤ 10 V (B2, 4 kV/100 A)
Voltage protection level U_p (core-ground)	≤ 400 V (C1, 500 V/250 A)
	≤ 150 V (B2, 4 kV/100 A)
Voltage protection level U_p (shield-ground)	≤ 600 V (C2 - 4 kV/2 kA)
Response time t_A (Core-Core)	≤ 500 ns
Response time t_A (Core-Earth)	≤ 100 ns
Input attenuation a_E , asym.	1 dB (up to 100 MHz, 100 Ω system)
Near-end crosstalk attenuation	35 dB (pair 3-6 against pair 4-5 in 100 Ω system / 100 MHz)
Cut-off frequency f_g (3 dB), sym. in 100 Ohm system	> 100 MHz
Cut-off frequency f_g (3 dB), sym. in 150 Ohm system	> 100 MHz
Capacity (Core-Core)	20 pF (1 MHz)
Capacity (Core-Earth)	1 pF (1 MHz)

Connection data

Connection method	RJ45
Connection type IN	RJ45 socket

Surge protection device - D-LAN-A/RJ45-BS - 2818973

Technical data

Connection data

Connection type OUT	RJ45 socket
Connection method	Network interfaces (e.g. Ethernet, Token Ring and CDDI/FDDI)

Standards and Regulations

Standards/regulations	IEC 61643-21
	EN 50173

Classifications

eCl@ss

eCl@ss 4.0	27140201
eCl@ss 4.1	27130801
eCl@ss 5.0	27130801
eCl@ss 5.1	27130801
eCl@ss 6.0	27130807
eCl@ss 7.0	27130807
eCl@ss 8.0	27130807
eCl@ss 9.0	27130807

ETIM

ETIM 2.0	EC000943
ETIM 3.0	EC000943
ETIM 4.0	EC000943
ETIM 5.0	EC000943

UNSPSC

UNSPSC 6.01	30212010
UNSPSC 7.0901	39121610
UNSPSC 11	39121610
UNSPSC 12.01	39121610
UNSPSC 13.2	39121620

Approvals

Approvals

Approvals

UL Listed / EAC

Surge protection device - D-LAN-A/RJ45-BS - 2818973

Approvals

Ex Approvals

Approvals submitted

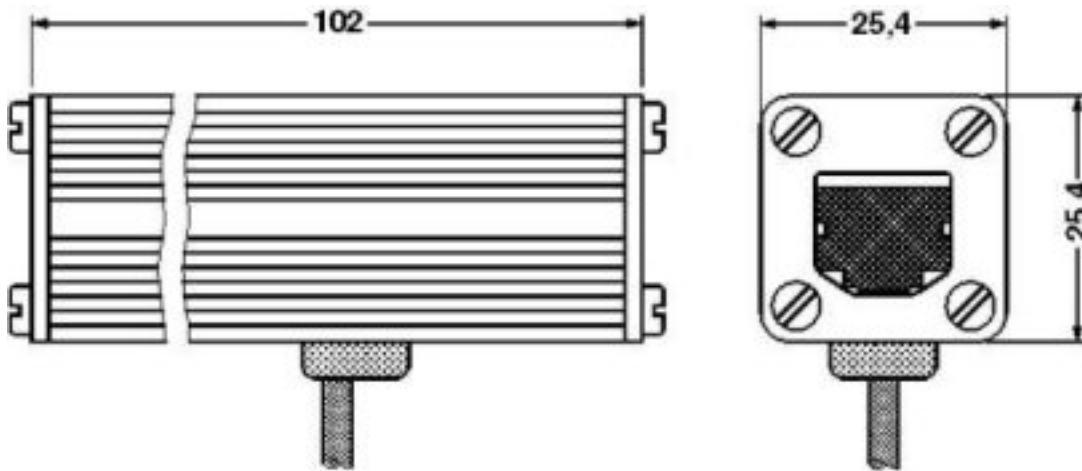
Approval details

UL Listed 

EAC

Drawings

Dimensional drawing



Surge protection device - D-LAN-A/RJ45-BS - 2818973

Circuit diagram

